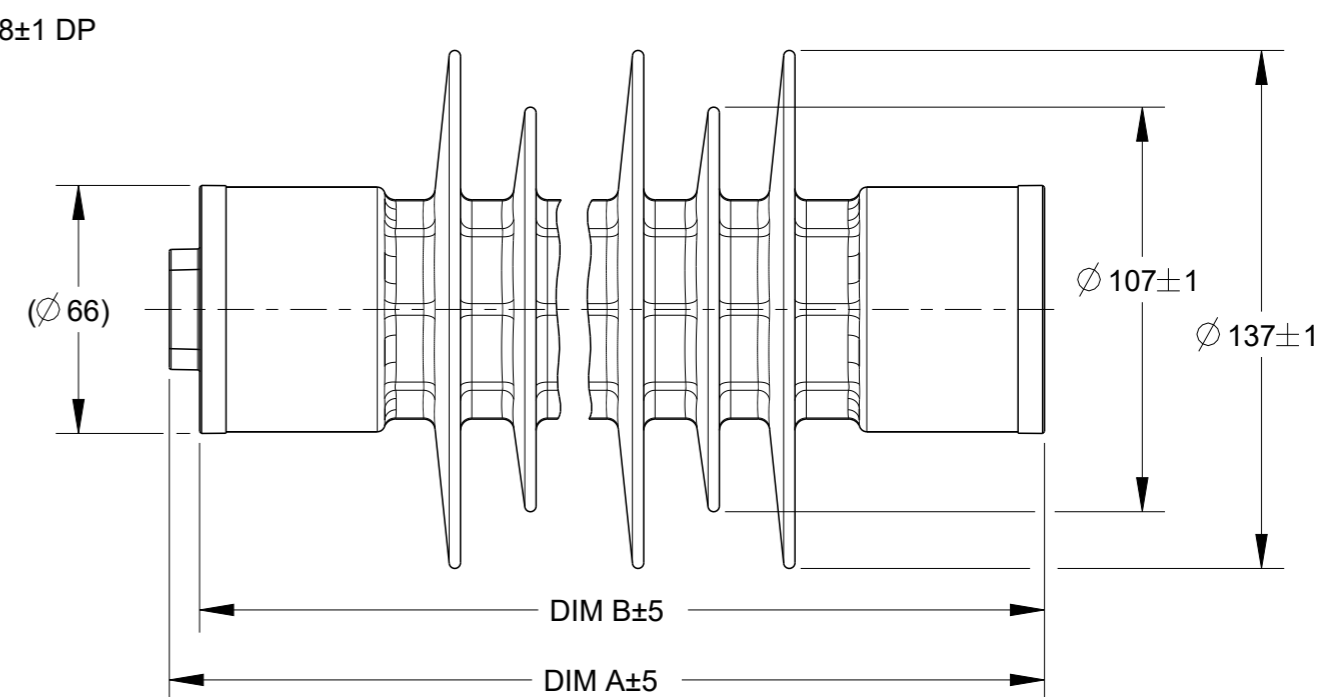
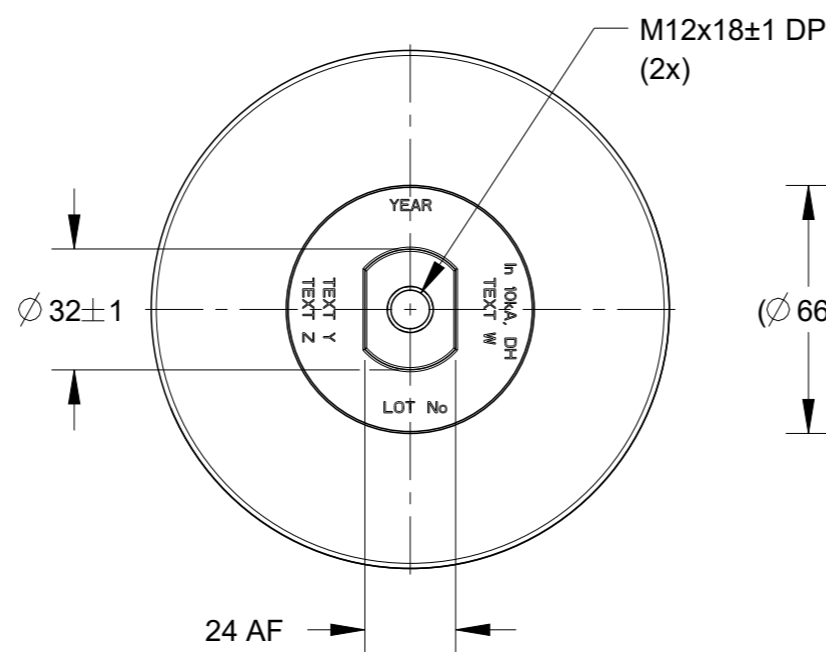


REVISIONS

P	LTR	DESCRIPTION	DATE	DWN	APVD
	A	REDRAWN IN CREO	13MAY2022	VF	EFG
	A1	ADDED HDA-29MX-B3 AND HDA-33MX-B3	03APR2023	AS	EFG

No. SHEDS	CREEPAGE LENGTH (mm)	FLASHOVER DISTANCE (mm)	DIM A (mm)	DIM B (mm)
11	970	339	343	335
13	1125	378	383	375
15	1279	418	423	415

No. SHEDS	PRODUCT (TEXT W)	Uc (TEXT Y)	Ur (TEXT Z)
11	HDA-21M-B3	Uc 21 kV	Ur 26.5 kV
	HDA-24M-B3	Uc 24 kV	Ur 30 kV
	HDA-25M-B3	Uc 25 kV	Ur 31.5 kV
	HDA-27M-B3	Uc 27 kV	Ur 34 kV
	HDA-29M-B3	Uc 29 kV	Ur 36.5 kV
	HDA-30M-B3	Uc 30 kV	Ur 37.5 kV
	HDA-31M-B3	Uc 31 kV	Ur 39 kV
	HDA-32M-B3	Uc 32 kV	Ur 40 kV
	HDA-33M-B3	Uc 33 kV	Ur 41.5 kV
	HDA-34M-B3	Uc 34 kV	Ur 42.5 kV
13	HDA-24ML-B3	Uc 24 kV	Ur 30 kV
	HDA-25ML-B3	Uc 25 kV	Ur 31.5 kV
	HDA-27ML-B3	Uc 27 kV	Ur 34 kV
	HDA-29ML-B3	Uc 29 kV	Ur 36.5 kV
	HDA-30ML-B3	Uc 30 kV	Ur 37.5 kV
	HDA-31ML-B3	Uc 31 kV	Ur 39 kV
	HDA-32ML-B3	Uc 32 kV	Ur 40 kV
	HDA-33ML-B3	Uc 33 kV	Ur 41.5 kV
	HDA-34ML-B3	Uc 34 kV	Ur 42.5 kV
	HDA-35M-B3	Uc 35 kV	Ur 44 kV
HDA-36M-B3	Uc 36 kV	Ur 45 kV	
HDA-39M-B3	Uc 39 kV	Ur 49 kV	
15	HDA-25MX-B3	Uc 25 kV	Ur 31.5 kV
	HDA-29MX-B3	Uc 29 kV	Ur 36.5 kV
	HDA-31MX-B3	Uc 31 kV	Ur 39 kV
	HDA-32MX-B3	Uc 32 kV	Ur 40 kV
	HDA-33MX-B3	Uc 33 kV	Ur 41.5 kV
	HDA-34MX-B3	Uc 34 kV	Ur 42.5 kV
	HDA-35ML-B3	Uc 35 kV	Ur 44 kV
	HDA-36ML-B3	Uc 36 kV	Ur 45 kV
HDA-39ML-B3	Uc 39 kV	Ur 49 kV	
HDA-40M-B3	Uc 40 kV	Ur 50 kV	
HDA-41M-B3	Uc 41 kV	Ur 51.5 kV	

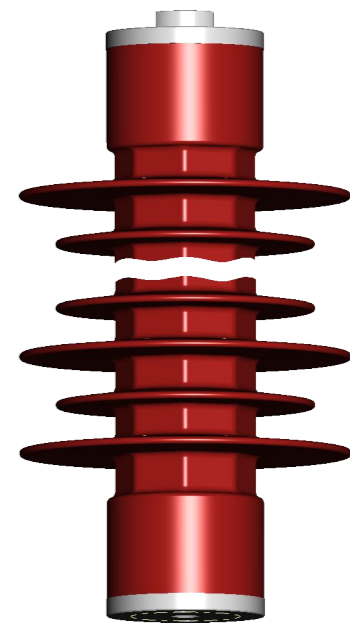


NOTES:

- 1- REFER TO TECHNICAL DATASHEETS FOR ALL OTHER PRODUCT DETAILS
- 2- HOUSING PRINT:

Raychem
HDA MO Arrester
Is 40kA
50/60 Hz
IEC 60099-4

- 3- STD STUD LENGTH 47±2. OTHER LENGTHS AVAILABLE
- 4- ALL DIMENSIONS NOMINAL UNLESS SPECIFIED



THIS DRAWING IS A CONTROLLED DOCUMENT.		DWN 13MAY2022 V.FUZETTI		
		CHK 13MAY2022 E.F.GASTALDI		
		APVD 13MAY2022 E.F.GASTALDI	NAME MV SURGE ARRESTER HDA-M-B3 RANGE	
DIMENSIONS: mm		TOLERANCES UNLESS OTHERWISE SPECIFIED:		SIZE A3
		0 PLC ±- 1 PLC ±- 2 PLC ±- 3 PLC ±- 4 PLC ±- ANGLES ±-		CAGE CODE 00779
MATERIAL		FINISH		DRAWING NO C-MV-HDAM-01266-C
				RESTRICTED TO
		WEIGHT		SCALE NTS
		CUSTOMER DRAWING		SHEET 1 OF 1
				REV A1