

THIS DRAWING IS UNPUBLISHED. RELEASED FOR PUBLICATION
 © COPYRIGHT - TE CONNECTIVITY IRELAND LTD, ISC, BLOCK 1, UNIVERSITY OF LIMERICK (RTP), CASTLETROY, LIMERICK, IRELAND

LOC		DIST		REVISIONS			
P	LTR	DESCRIPTION	DATE	DWN	APVD		
A		ORIGINAL ISSUE	08/14	JM	-		

D

C

B

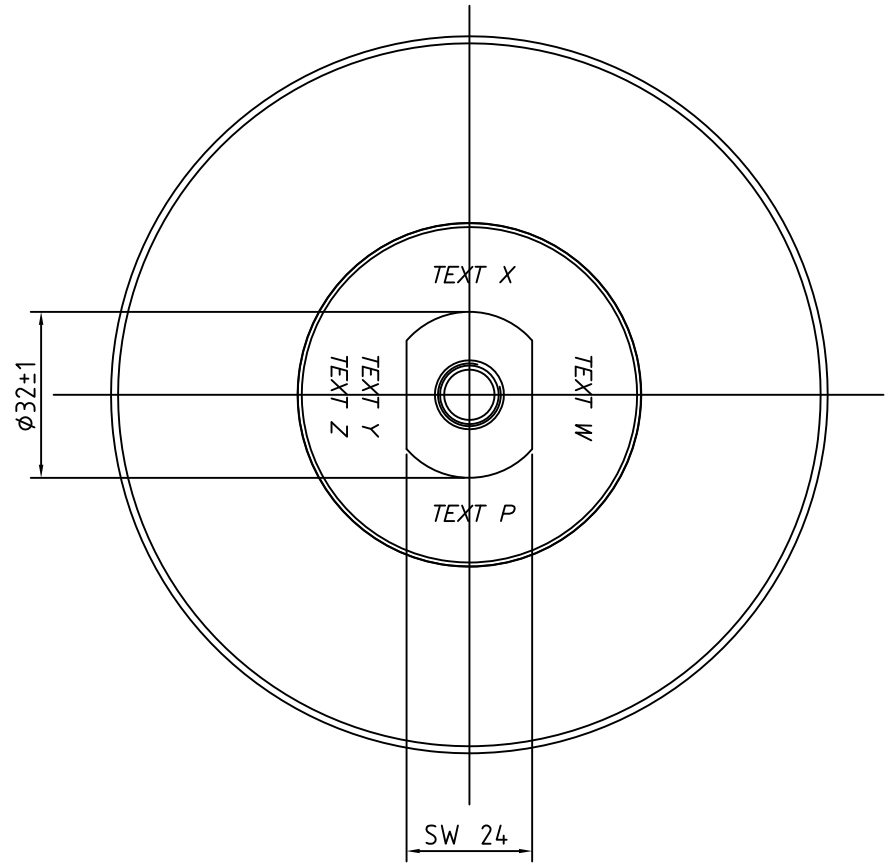
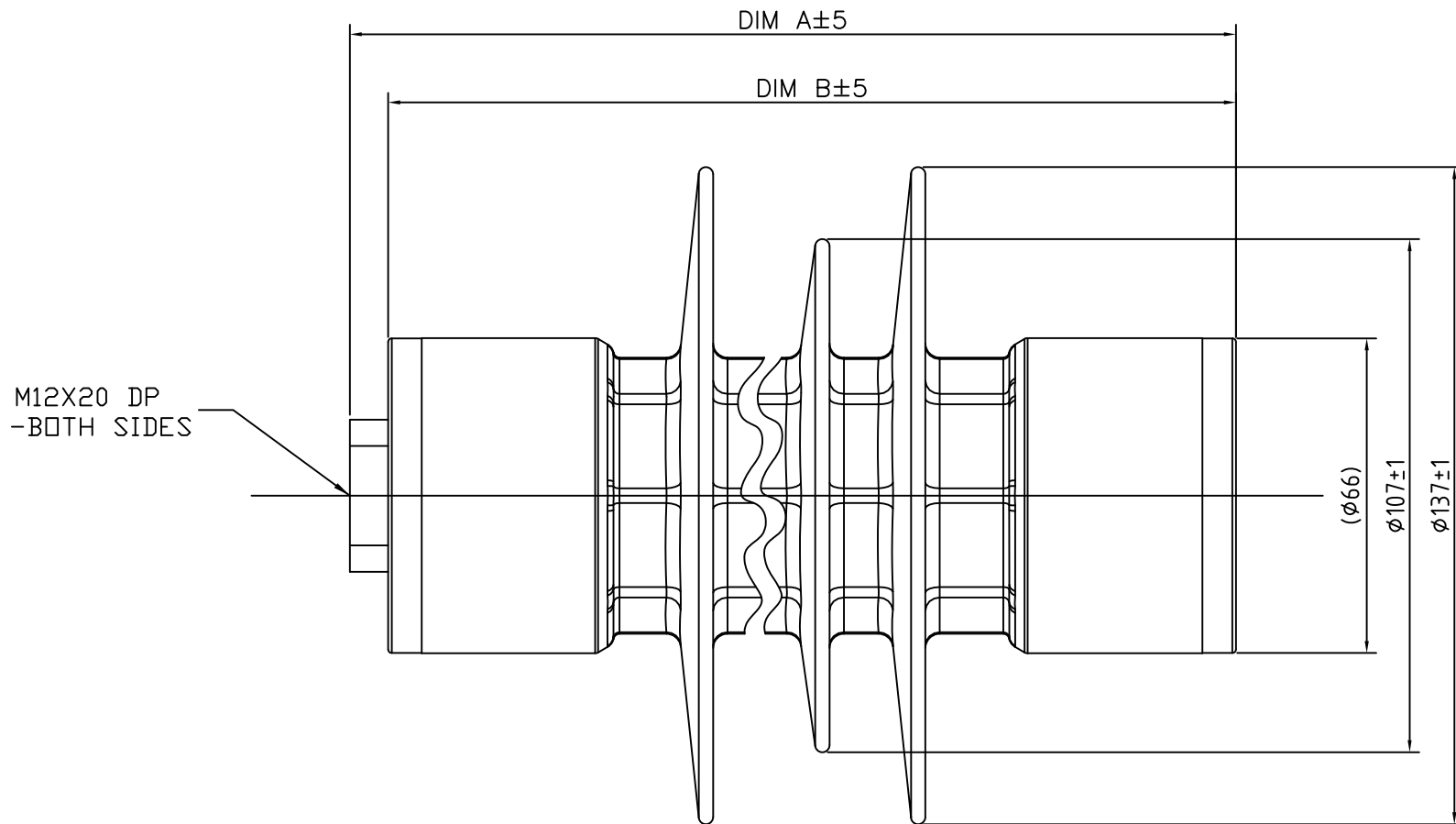
A

D

C

B

A



No SHEDS	CREEPAGE LENGTH	FLASHOVER DISTANCE
11	970	339
13	1125	378
15	1279	418

NOTE	
HOUSING PRINT	Raychem
	HDA MO Arrester
	Isc 40kA
	50/60 Hz
	I _N 10kA, Class 1
IEC 60099-4	

PRODUCT	SHEDS	DIM A	DIM B	TEXT P	TEXT W	TEXT X	TEXT Y	TEXT Z
HDA-24M	11	343	335	LOT No	HDA-24M	YEAR	Uc 24kV	Ur 30kV
HDA-26M	11	343	335	LOT No	HDA-26M	YEAR	Uc 26kV	Ur 32.5kV
HDA-27M	11	343	335	LOT No	HDA-27M	YEAR	Uc 27kV	Ur 33.75kV
HDA-29M	11	343	335	LOT No	HDA-29M	YEAR	Uc 29kV	Ur 36.25kV
HDA-30M	11	343	335	LOT No	HDA-30M	YEAR	Uc 30kV	Ur 37.5kV
HDA-33M	13	383	375	LOT No	HDA-33M	YEAR	Uc 33kV	Ur 41.25kV
HDA-36M	13	383	375	LOT No	HDA-36M	YEAR	Uc 36kV	Ur 45kV
HDA-39M	15	423	415	LOT No	HDA-39M	YEAR	Uc 39kV	Ur 48.75kV
HDA-40M	15	423	415	LOT No	HDA-40M	YEAR	Uc 40kV	Ur 50kV
HDA-41M	15	423	415	LOT No	HDA-41M	YEAR	Uc 41kV	Ur 51.25kV

REFER TO TECHNICAL DATASHEETS FOR ALL OTHER PRODUCT DETAILS

THIS DRAWING IS A CONTROLLED DOCUMENT.		DWN J MULLIGAN 11/08/2014	STE TE Connectivity	
		CHK R ULBRYCH 06/14		
DIMENSIONS: mm		APVD P FITZGERALD 08/14	NAME	
TOLERANCES UNLESS OTHERWISE SPECIFIED:		PRODUCT SPEC	MV SURGE ARRESTER	
0 PLC ± 1		SEE DATASHEET	HDA-M RANGE	
1 PLC ± 0.1		APPLICATION SPEC	HDAXXM(STD)	
2 PLC ± 0.01		SIZE	CAGE CODE	DRAWING NO
3 PLC ± 0.001		A2		C-MV-HDAM-00033-C
4 PLC ± 0.0001		RESTRICTED TO		
ANGLES ± 1		SCALE 1:1	SHEET 1 of 1	REV A
FINISH		CUSTOMER DRAWING		
MATERIAL ALL FITTINGS M12, A2 SS				