

CUSTOMER DRAWING		
CATALOG # MRI33100W		
ECN#	APPRVD	DATE
/	/	/

**SAFETY ORGANIZATIONS**

THIS FILTER HAS BEEN FORMALLY RECOGNIZED, CERTIFIED OR APPROVED BY THE LISTED AGENCY. THEREFORE, ALL TEST/REQUIREMENTS SPECIFIED IN THE LATEST REVISION OF THE FOLLOWING AGENCY STANDARDS HAVE BEEN MET:

**OPERATING SPECIFICATIONS**

LINE CURRENT/VOLTAGE: 3 AMP, 60VDC

OPERATING AMBIENT TEMP. RANGE: -10°C TO +60°C @ RATED CURRENT, I<sub>r</sub>.

IN AN AMBIENT, T<sub>a</sub>, HIGHER THAN 60°C, THE MAXIMUM OPERATING CURRENT, I<sub>o</sub>, IS AS FOLLOWS:

$$I_o = I_r \sqrt{\frac{85 - T_a}{25}}$$

**RELIABILITY SPECIFICATIONS:**

STORAGE TEMPERATURE: -40°C TO +85°C  
 HUMIDITY: 21 DAYS @ 40°C 95% RH.  
 CURRENT OVERLOAD TEST: 6 TIMES I<sub>r</sub> FOR 8 SECONDS

**TEST SPECIFICATIONS:**

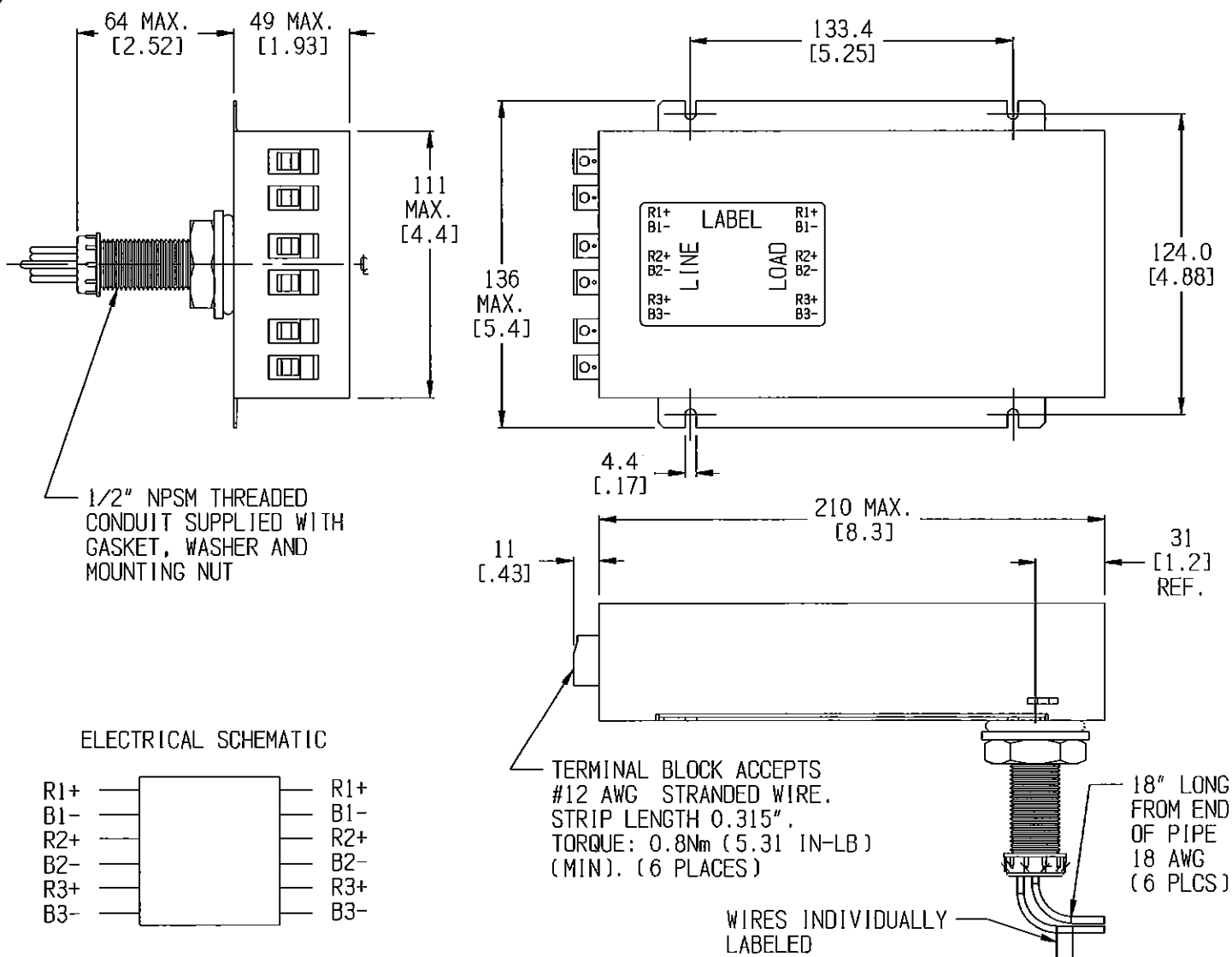
INDUCTANCE: 34.32 mH NOMINAL  
 CAPACITANCE: (MEASURED @ 1KHz, 0.250VAC MAX., 25°C±1°C)  
 LINE TO GROUND: 9 μF±20%  
 LINE TO LINE: 3282.3 μF±20%  
 DISCHARGE RESISTOR: 10K Ω  
 L/G AND L/L I.R.  
 NO DISCHARGE RESISTOR: 6000MΩ (MIN.) @ 100VDC, 20°C AND 50% RH

**RECOMMENDED RECEIVING INSPECTION HIPOT:**

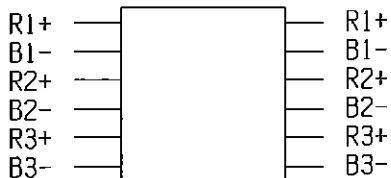
LINE TO GROUND: 100 VDC FOR 1 MINUTE CAUTION: THIS UNIT USES  
 LINE TO LINE: 100 VDC FOR 1 MINUTE POLARIZED CAPACITORS

**FILTER APPROVAL:**

THE BEST WAY TO SELECT AND QUALIFY A FILTER IS FOR YOUR ENGINEERING TO TEST THE UNIT IN YOUR EQUIPMENT.



**ELECTRICAL SCHEMATIC**



50 Ω - 50 Ω (MINIMUM) INSERTION LOSS											
FREQUENCY	10 kHz	50 kHz	100 kHz	500 kHz	1 MHz	5 MHz	10 MHz	50 MHz	100 MHz	500 MHz	1 GHz
COMMON dB	90	100	100	100	100	100	100	100	100	100	100
DIFF. dB	90	100	100	100	100	100	100	100	100	100	100

SHEET SIZE: A  
 THIRD ANGLE PROJECTION  
 THIS INFORMATION IS CONFIDENTIAL AND PROPRIETARY TO TYCO ELECTRONICS CORPORATION AND ITS WORLDWIDE SUBSIDIARIES AND AFFILIATES. IT MAY NOT BE DISCLOSED TO ANYONE OTHER THAN TYCO ELECTRONICS PERSONNEL, WITHOUT WRITTEN AUTHORIZATION FROM TYCO ELECTRONICS CORPORATION.  
 www.TE.com

PARTS SHALL COMPLY WITH TYCO ELECTRONICS 138-702 SPECIFICATION FOR HAZARDOUS SUBSTANCES	
UNLESS OTHERWISE SPECIFIED TOLERANCE TO BE ±1.5 [0.06] MATERIAL & FINISH: AS SUPPLIED DIMENSIONS IN MILLIMETERS	
<b>TE</b> TE Connectivity <b>MRI FILTER</b> TE PART NO.: 1-1609091-4 SCALE: 3/8 DATE: 26DEC17 DRAWING NUMBER: MRI33100W REV. 5 DRW. BY: LJD DTG: OP	
NOTES: CAUTION: THIS UNIT USES POLARIZED CAPACITORS	