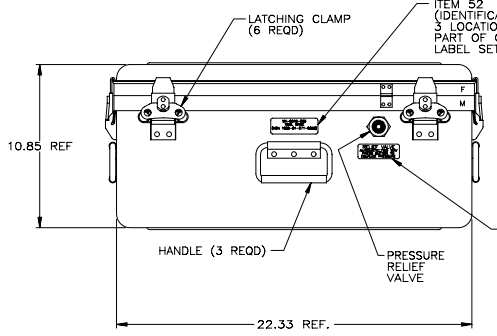
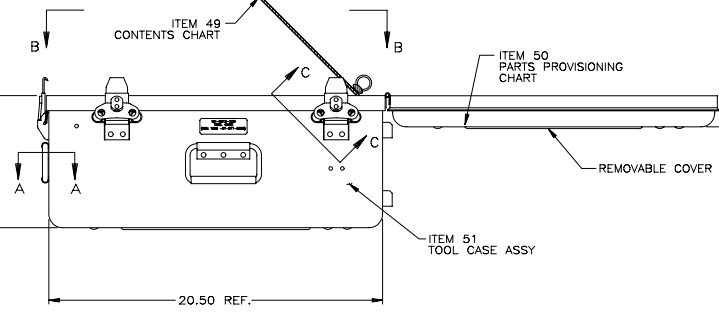
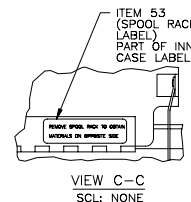
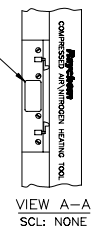
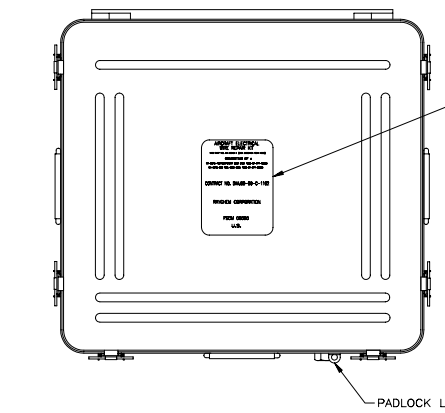
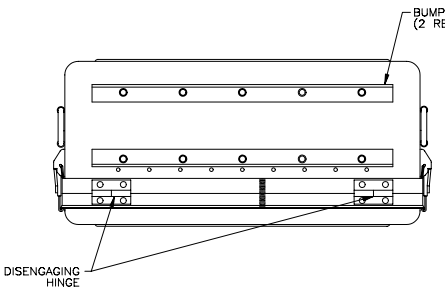
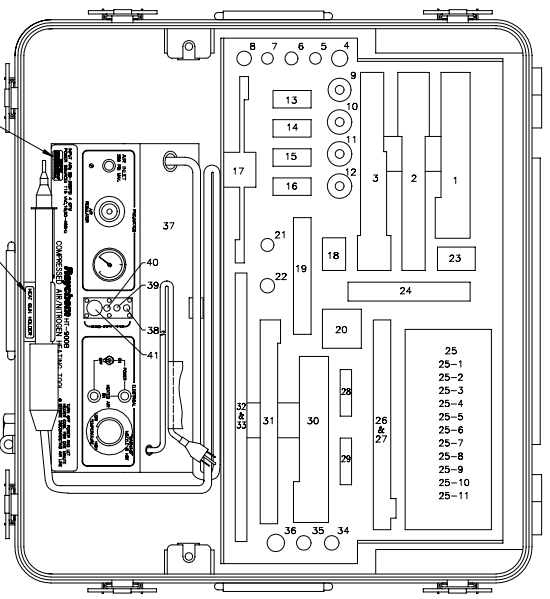


REVISIONS			
LTR	DESCRIPTION	DATE	APPROVED
NC	NEW RELEASE PER ECN T-15495	12/19/90	M.M.
A	OVERALL CASE HEIGHT WAS 10.50 REF; DCR#976007	5/23/97	GMR

BILL OF MATERIALS

ITEM NO.	RAYCHEM DWG NO.	QTY	DESCRIPTION
1	MK-0015-3	1	IDEAL STRIPMASTER, BLACK HANDLE
2	HT-900-21	1	400HZ ADAPTER (AIRFORCE)
3	HT-900-20	1	400HZ ADAPTER (NAVY)
4	MK-0015-16	1	BRAID SLITTER
5	MK-0015-17	1	HOOK FOR PULLING WIRES
6	MK-0015-21	1	UTILITY KNIFE
7	MK-0015-22	1	REMOVAL TOOL FOR SIZE 8 SOLDER CONTACTS (DRK284-8)
8	MK-0015-44	1	BLADE SCREWDRIVER
9	MK-0015-15	1	PHILLIPS SCREWDRIVER
10	MK-0015-14	1	SOCKET WRENCH (NUTDRIVER) 1/4 INCH
11	MK-0015-27	1	HEX DRIVER, 7/64-INCH
12	MK-0015-13	1	SPARE BLADES FOR UTILITY KNIFE
13	MK-0015-29	1	DIE BLADES FOR IDEAL STRIPPER (L-5559 & L-5560)
14	MK-0015-25	1	DIE BLADES FOR IDEAL STRIPPER (45-1610-1 & 45-1611-1)
15	MK-0015-26	1	DIE BLADES FOR IDEAL STRIPPER (45-1654-1 & 45-1608-1)
16	MK-0015-24	1	MTC CONNECTOR WATER REMOVAL TOOL (GE-1201900)
17	CE-19019-00	1	HEATING NOZZLE HT-5
18	HT-900A-147	1	HEAT-SHRINKABLE REPAIR TAPE
19	MK-0015-23	1	SPARE AIR FILTER ELEMENT FOR HT-900B
20	MK-0015-8	1	QUICK-DISCONNECT FITTING, 1C
21	MK-0015-31	1	QUICK-DISCONNECT FITTING, H1C
22	MK-0015-32	1	ILLUMINATING MAGNIFIER (MAGNA-LITE, MODEL 100)
23	MK-0015-7	1	CABLE STRAP INSTALLATION TOOL (PANDUIT GS2B)
24	MK-0015-5	1	SPOOL RACK (DOUBLE-SIDED)
25	MK-0015-12	1	MIL-1-43435 LACING AND TYING TAPE (HRM/10-0004)
25-1	HRM/10-0004	1	SIZE 16 SHIELDED WIRE, 200C,M27500-18SP-1-S23 (HRM/10-0201)
25-2	HRM/10-0201	1	SIZE 20 SHIELDED WIRE, 200C,M27500-20SP-1-S23 (HRM/10-0202)
25-3	HRM/10-0103	1	SIZE 12 PRIMARY WIRE, 200C,M22759/43-12-9 (HRM/10-0103)
25-4	HRM/10-0101	1	SIZE 20 PRIMARY WIRE, 200C,M22759/43-20-9 (HRM/10-0101)
25-5	HRM/10-0005	1	3/16 INCH SHIELD BRAID (HRM/10-0005)
25-6	HRM/10-0006	1	3/8 INCH SHIELD BRAID (HRM/10-0006)
25-7	HRM/10-0007	1	1 1/2 INCH HEAT-SHRINKABLE TUBING (RAYCHEM RNF-100-3/8)(HRM/10-5032)
25-8	HRM/10-5032	1	1/2 INCH HEAT-SHRINKABLE TUBING (RAYCHEM RNF-100-1/2)(HRM/10-5033)
25-9	HRM/10-5033	1	1 INCH HEAT-SHRINKABLE TUBING (RAYCHEM RNF-4800-1)(HRM/10-5031)
25-10	HRM/10-5031	1	TERMINAL LUG CRIMP TOOL (M22520/10-01)
25-11	MK-0015-11	1	DIE SET FOR TERMINAL LUG CRIMP TOOL (M22520/10-01)
26	MK-0015-41	1	WIRE CUTTER (SHEARS)(IDAL 45-123)
27	AD-1377	1	DIAGONAL CUTTER (LINDSTRON 8140)
28	MK-0015-28	1	IDEAL STRIPMASTER, RED HANDLE
29	MK-0015-4	1	WIRE STRICE CRIMP TOOL (RAYCHEM AD-1377)
30	AD-1377	1	SPARE HEATER ELEMENT FOR HT-900B
31	HT-900A-112	1	SPARE THERMOCOUPLE FOR HT-900B
32	HT-900A-110	1	DIE SET REMOVAL TOOL (HX3-92)
33	MK-0015-9	1	HOLDER FOR DATA BUS CONNECTORS (AD-1564)
34	AD-1564	1	REMOVAL TOOL FOR SIZE 16 SOLDER CONTACTS (AD-1447)
35	AD-1447	1	COMPRESSED AIR/NITROGEN HEATING TOOL (RAYCHEM HT-900B-20)
36	HT-900B-20	1	HEATING NOZZLE HT-1
37	AA-400-22	1	HEATING NOZZLE HT-2
38	AA-400-40	1	HEATING NOZZLE HT-3
39	HT-900A-147	1	HEATING NOZZLE HT-4
40	AA-400-41	1	BASIC PROCEDURES AND USE OF TOOLS (HRM/00-INSTR-00)
41	HRM/00-INSTR-00	1	INSTRUCTIONS FOR WIRE AND CABLE SPLICING COMPONENTS (HRM/00-INSTR-10)
42	HRM/00-INSTR-10	1	INSTRUCTIONS FOR WIRE AND CABLE END TERMINATION COMPONENTS (HRM/00-INSTR-20)
43	HRM/00-INSTR-20	1	INSTRUCTIONS FOR SHIELD TERMINATION COMPONENTS (HRM/00-INSTR-30)
44	HRM/00-INSTR-30	1	INSTRUCTIONS FOR WIRE AND CABLE REPAIR SEGMENTS (HRM/00-INSTR-40)
45	HRM/00-INSTR-40	1	INSTRUCTIONS FOR DATA BUS REPAIR COMPONENTS (HRM/00-INSTR-50)
46	HRM/00-INSTR-50	1	INSTRUCTIONS FOR GENERAL HARNESS COMPONENTS AND ACCESSORIES (HRM/00-INSTR-90)
47	MK-0015-35	1	CONTENTS CHART
48	MK-0015-91	1	PARTS PROVISIONING CHART
49	MK-0015-18	1	TOOL CASE ASSEMBLY
50	MK-0015-10	1	CASE LABEL SET
51	MK-0015-18	1	INNER CASE LABEL SET



If this document is printed it becomes uncontrolled.  
Check with the web for latest revision.

SPECIFICATION CONTROL DRAWING © Raychem Corporation 1988

UNLESS OTHERWISE SPECIFIED DIMENSIONS ARE IN INCHES. AND TOLERANCES ARE: DEC .XXX ± DEC .XX ± ANGLE ±	DRAWN: R. RAMIREZ DATE: 10-1-90	TITLE: AIRCRAFT ELECTRICAL WIRE REPAIR KIT MK-0015-200 TOOL CASE DAAJ09-90-C-1102 NSN 1680-01-271-0658	RAYCHEM CORPORATION 300 CONSTITUTION DRIVE HAYWARD, CALIFORNIA 94025	
	CHECKED: S. PROSITANO DATE: 12/19/90	APPROVED: M. MURPHY DATE: 12/19/90	REV: A	
	THIRD ANGLE PROJECTION:	CID NAME: 015-2005	SCALE: NONE	DO NOT SCALE THIS DRAWING
	PROJECT:	SIZE: D	CODE IDENT. NO.: MK-0015-200	SHEET 1 OF 1

SHEET MK-0015-200