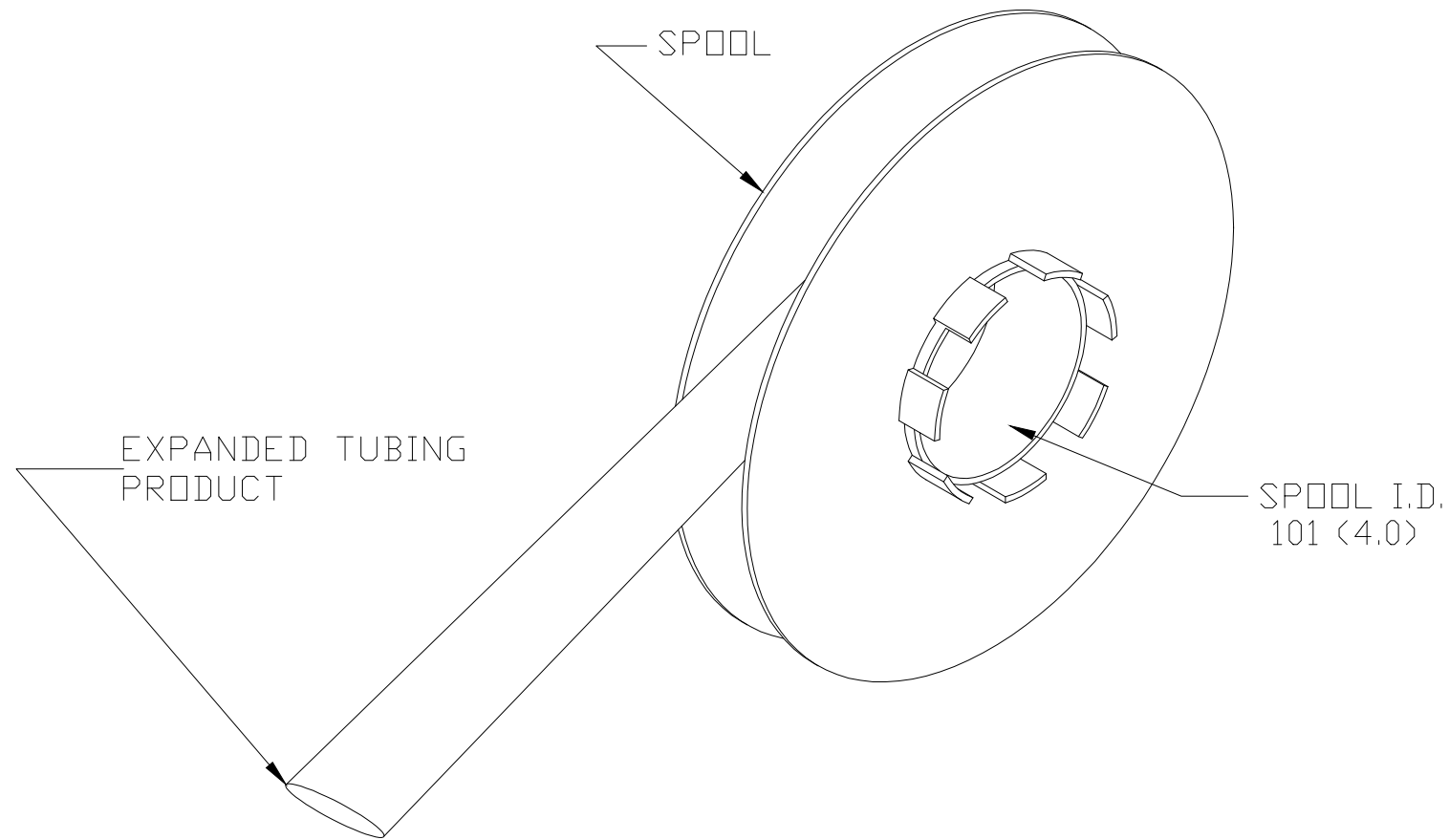
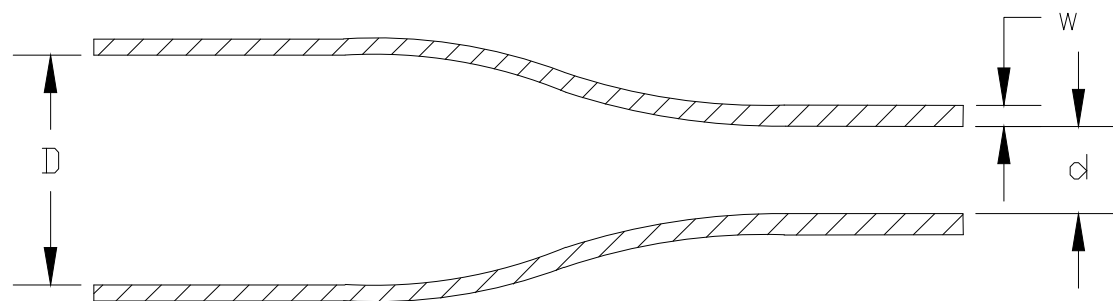
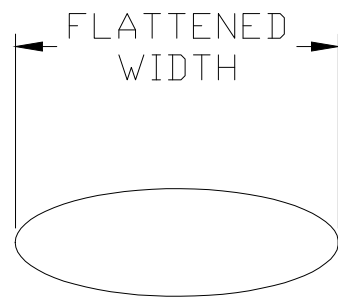


THIS DRAWING IS UNPUBLISHED. RELEASED FOR PUBLICATION  
 © COPYRIGHT 2020 TE Connectivity Ltd. ALL RIGHTS RESERVED.

REVISIONS				
P	LTR	DESCRIPTION	DATE	APVD
2		INITIAL CUSTOMER DRAWING	20JAN2020	AFK LS



Product Size	2.4	3.2	4.8	6.4	9.5	12.7	19.0	25.4	38.1
"D" Minimum Supplied I.D.	2.40 (.094)	3.20 (.126)	4.80 (.189)	6.40 (.252)	9.50 (.374)	12.7 (.500)	19.0 (.748)	25.4 (1.00)	38.1 (1.50)
"d" Maximum Recovered I.D.	1.20 (.047)	1.60 (.063)	2.40 (.094)	3.20 (.126)	4.80 (.189)	6.4 (.252)	9.50 (.374)	12.7 (.500)	19.1 (.750)
"w" Recovered Wall Thickness	0.50±0.10 (.020±.004)	0.50±0.10 (.020±.004)	0.51±0.11 (.020±.004)	0.65±0.15 (.026±.006)	0.65±0.15 (.026±.006)	0.65±0.15 (.026±.006)	0.75±0.15 (.030±.006)	0.90±0.15 (.035±.006)	1.00±0.20 (.039±.008)
Minimum Sleeve Flattened Width	5.90 (.232)	6.50 (.256)	8.90 (.350)	11.0 (.433)	15.7 (.618)	20.7 (.815)	30.7 (1.209)	41.1 (1.618)	61.0 (2.402)

NOTES:

1. ALL DIMENSIONS ARE IN MILLIMETERS (inches).

THIS DRAWING IS A CONTROLLED DOCUMENT.		DWN AFK 15JAN2020	<b>STE</b> TE Connectivity	
		CHK -		
DIMENSIONS: mm		APVD LS 20JAN2020	NAME HX-CT	
		PRODUCT SPEC RW-2072		RESTRICTED TO -
		APPLICATION SPEC -		SIZE A3
MATERIAL CROSSLINKED POLYOLEFIN		FINISH -	WEIGHT VARIOUS	CAGE CODE 0198G
		DRAWING NO C-MCD170013		RESTRICTED TO -
		CUSTOMER DRAWING		SCALE - SHEET 1 OF 1 REV 2