

THIS DRAWING IS UNPUBLISHED.

RELEASED FOR PUBLICATION

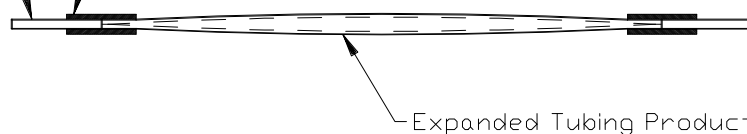
REVISIONS

© COPYRIGHT 2020 TE Connectivity Ltd.

ALL RIGHTS RESERVED.

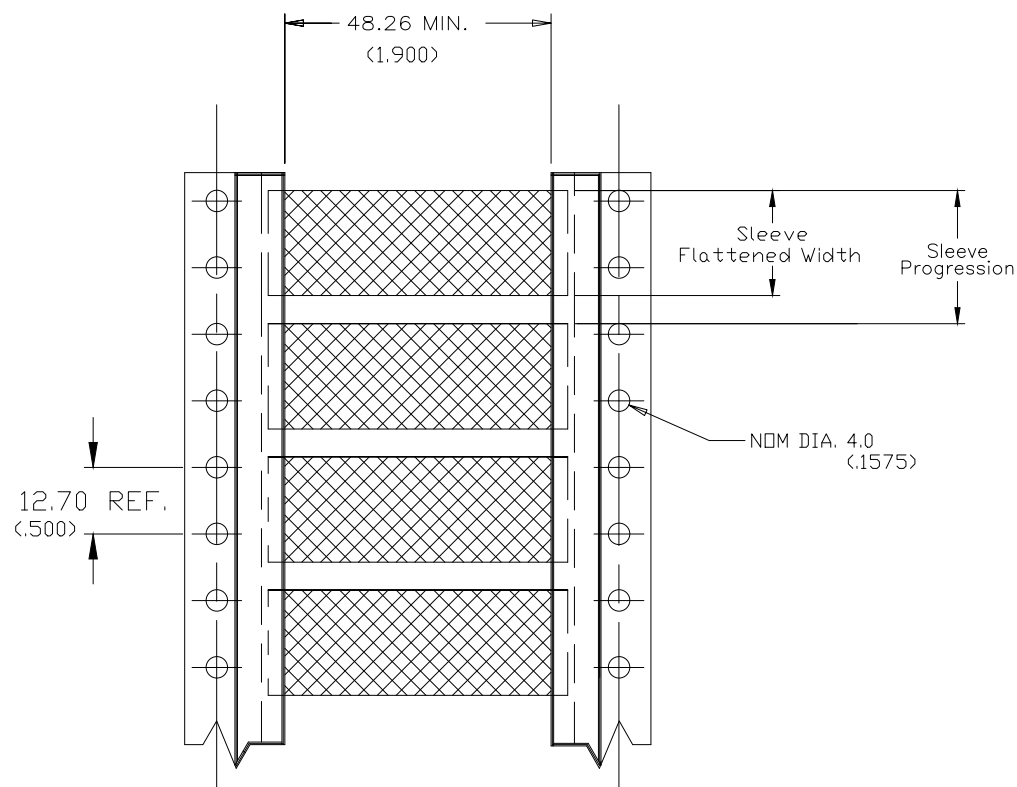
P	LTR	DESCRIPTION	DATE	DWN	APVD
	E	INITIAL CUSTOMER DRAWING	04FEB2020	AFK	LS

CARRIER FILM (Both Sides)
Tape (4 Places)



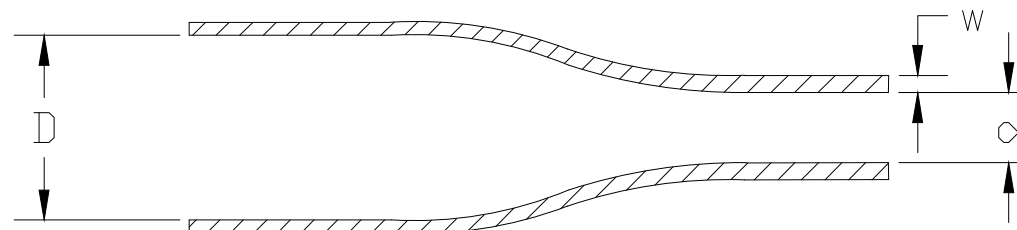
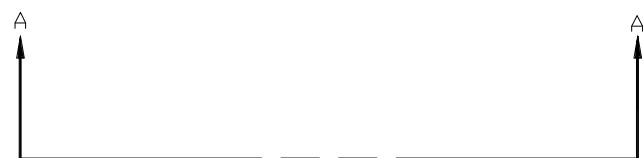
Expanded Tubing Product

SECTION A - A



Product Size	22-18	18-12	16-10	8-4	10-2	6-250	1-400	400-1000
Minimum Sleeve Flattened Width	5.84 (.230)	8.00 (.315)	10.7 (.420)	15.5 (.610)	20.4 (.803)	30.5 (1.200)	40.4 (1.590)	60.3 (2.37)
Nominal Sleeve Progression	12.70 (.500)	12.70 (.500)	16.94 (.667)	25.40 (1.000)	29.64 (1.167)	42.34 (1.667)	50.80 (2.00)	71.96 (2.83)
"D" Minimum Supplied I.D.	3.18 (.125)	4.75 (.187)	6.35 (.250)	9.53 (.375)	12.70 (.500)	19.05 (.750)	25.40 (1.00)	38.10 (1.50)
"d" Maximum Recovered I.D.	1.07 (.042)	1.57 (.062)	2.11 (.083)	3.18 (.125)	4.22 (.166)	6.35 (.250)	8.46 (.333)	19.05 (.750)
"w" Recovered wall ±0.08 (.003)	0.58 (.023)	0.58 (.023)	0.58 (.023)	0.61 (.024)	0.61 (.024)	0.61 (.024)	0.64 (.025)	0.51 (.020)

DIMENSIONS IN mm (inches)



THIS DRAWING IS A CONTROLLED DOCUMENT.		DWN AFK	31JAN2020	STE TE Connectivity	
DIMENSIONS: mm		CHK -	-		
TOLERANCES UNLESS OTHERWISE SPECIFIED:		APVD LS	04FEB2020	NAME	
0 PLC ± -		PRODUCT SPEC		RPS	
1 PLC ± -		RW-2510		-	
2 PLC ± -		APPLICATION SPEC		-	
3 PLC ± -		-		SIZE	CAGE CODE
4 PLC ± -		-		A3	0198G
ANGLES ± -		-		DRAWING NO	RESTRICTED TO
FINISH		WEIGHT		C=MCD160003	-
CROSS-LINKED POLYOLEFIN		CUSTOMER DRAWING		SCALE	SHEET
				-	1 OF 1
				REV	E