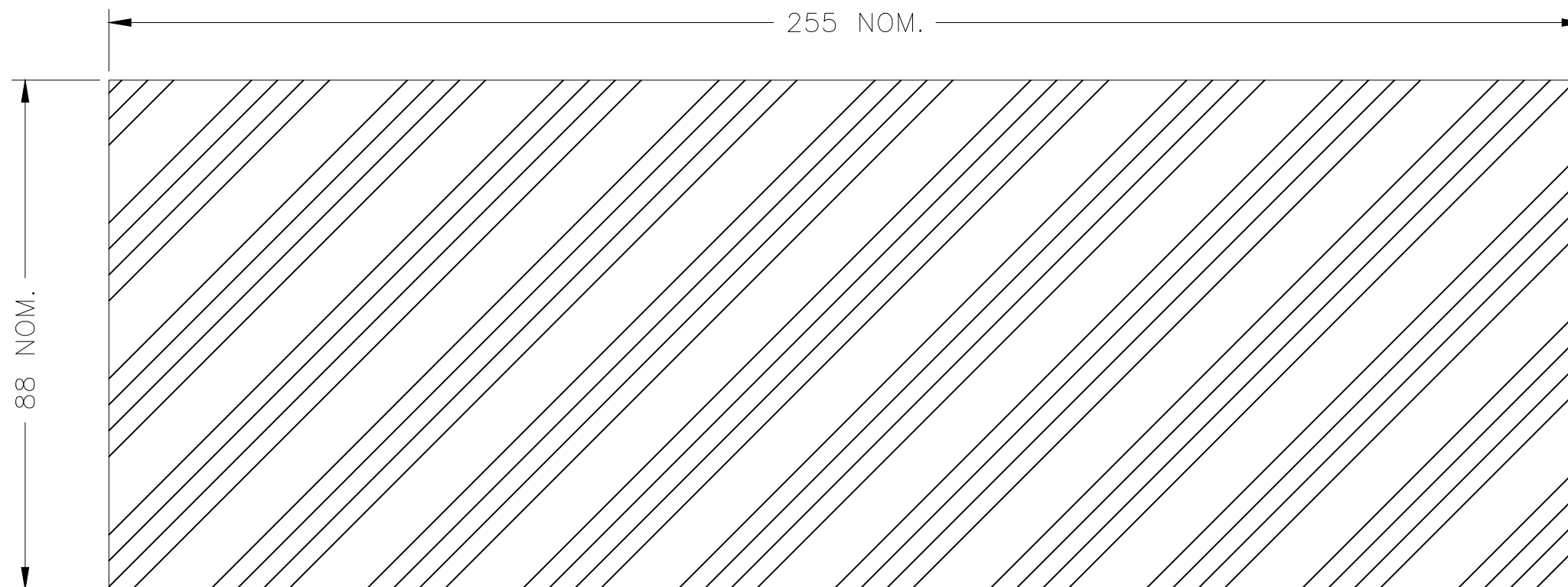



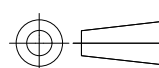
REVISIONS

P	LTR	DESCRIPTION	DATE	DWN	APVD
	1	INITIAL CUSTOMER DRAWING	17JUNE2020	IR	LS



PRINthead CLEANING FILM		
PART NUMBER	DESCRIPTION	SPECIFICATION
1-2186033-1	PRINthead-CLEANING-FILM	TTDS-260

NOTES:  
 1, INSTRUCTIONS FOR USE ARE PRINTED ON FILM.  
 2, FILM THICKNESS NOMINALLY 0.09mm

THIS DRAWING IS A CONTROLLED DOCUMENT.		DWN IR 17JUNE2020	 TE Connectivity		
		CHK AFK 17JUNE2020			
		APVD LS 17JUNEMAR2020	NAME PRINthead-CLEANING-FILM		
DIMENSIONS: mm 		TOLERANCES UNLESS OTHERWISE SPECIFIED: 0 PLC ± - 1 PLC ± - 2 PLC ± - 3 PLC ± - 4 PLC ± - ANGLES ± -	PRODUCT SPEC TTDS-260	-	
MATERIAL PRINthead CLEANING FILM		FINISH -	APPLICATION SPEC -	WEIGHT VARIOUS	RESTRICTED TO -
CUSTOMER DRAWING			SIZE A3	CAGE CODE FB1U7	DRAWING NO C-MCD-200017
			SCALE ---	SHEET 1 OF 1	REV 1