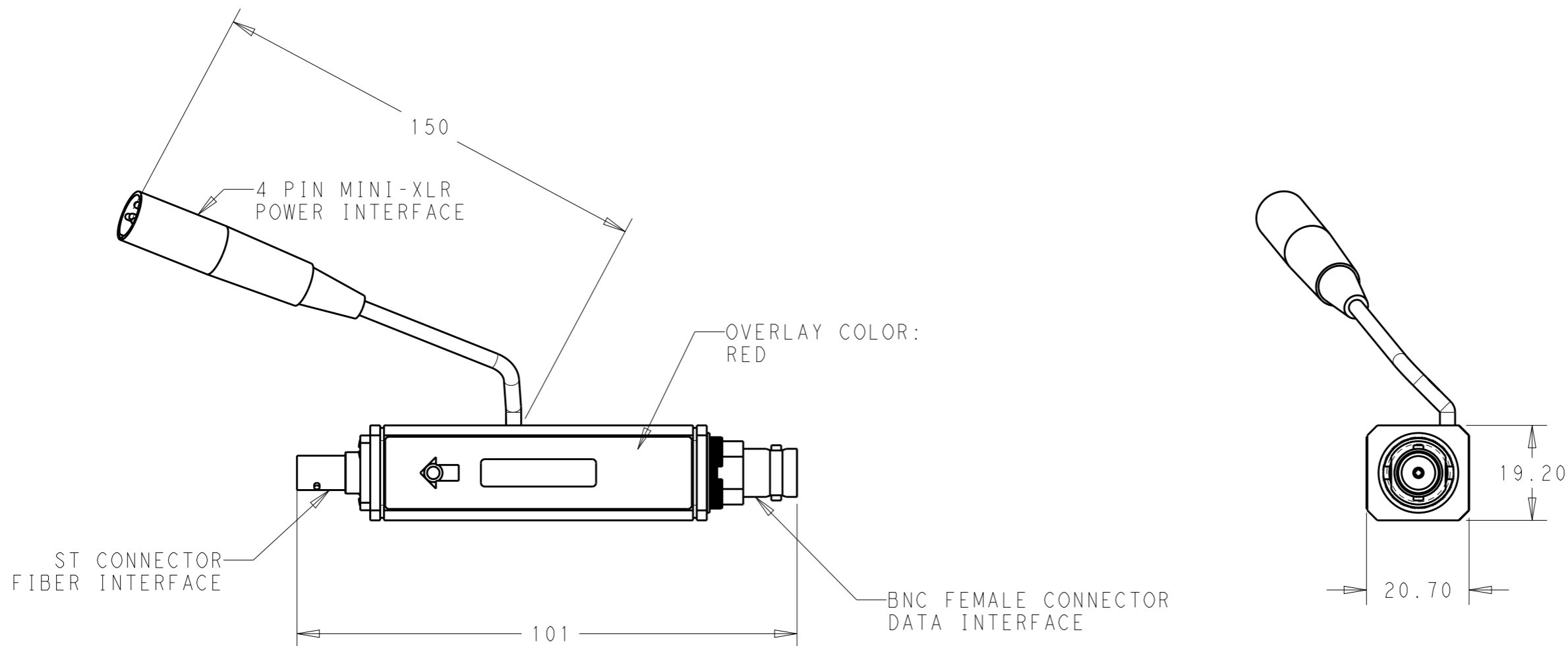


- 1 DIMENSIONS ARE FOR REFERENCE ONLY.
- 2 MATERIAL:
ENCLOSURE: ALUMINUM ALLOY
CONNECTORS: VARIOUS
OVERLAY: POLYESTER
- 3 THIS PRODUCT IS RoHS COMPLIANT.

REVISIONS					
P	LTR	DESCRIPTION	DATE	DWN	APVD
	A1	INITIAL	13NOV2018	BP	-



THIS DRAWING IS A CONTROLLED DOCUMENT.		DWN B. PIPER	13NOV2018		
DIMENSIONS: mm		CHK -	APVD -		
		TOLERANCES UNLESS OTHERWISE SPECIFIED: 0 PLC ±- 1 PLC ±- 2 PLC ±- 3 PLC ±- 4 PLC ±- ANGLES ±-		NAME MC2, TX, 3G, Fabry-Perot 1310nm, RoHS, Recpt BNC	
MATERIAL -		FINISH -		PRODUCT SPEC -	APPLICATION SPEC -
		WEIGHT -		SIZE A3	CAGE CODE -
		CUSTOMER DRAWING		DRAWING NO G-MC2-T-P-2-R	RESTRICTED TO -
				SCALE 1:1	SHEET 1 OF 1
				REV A1	