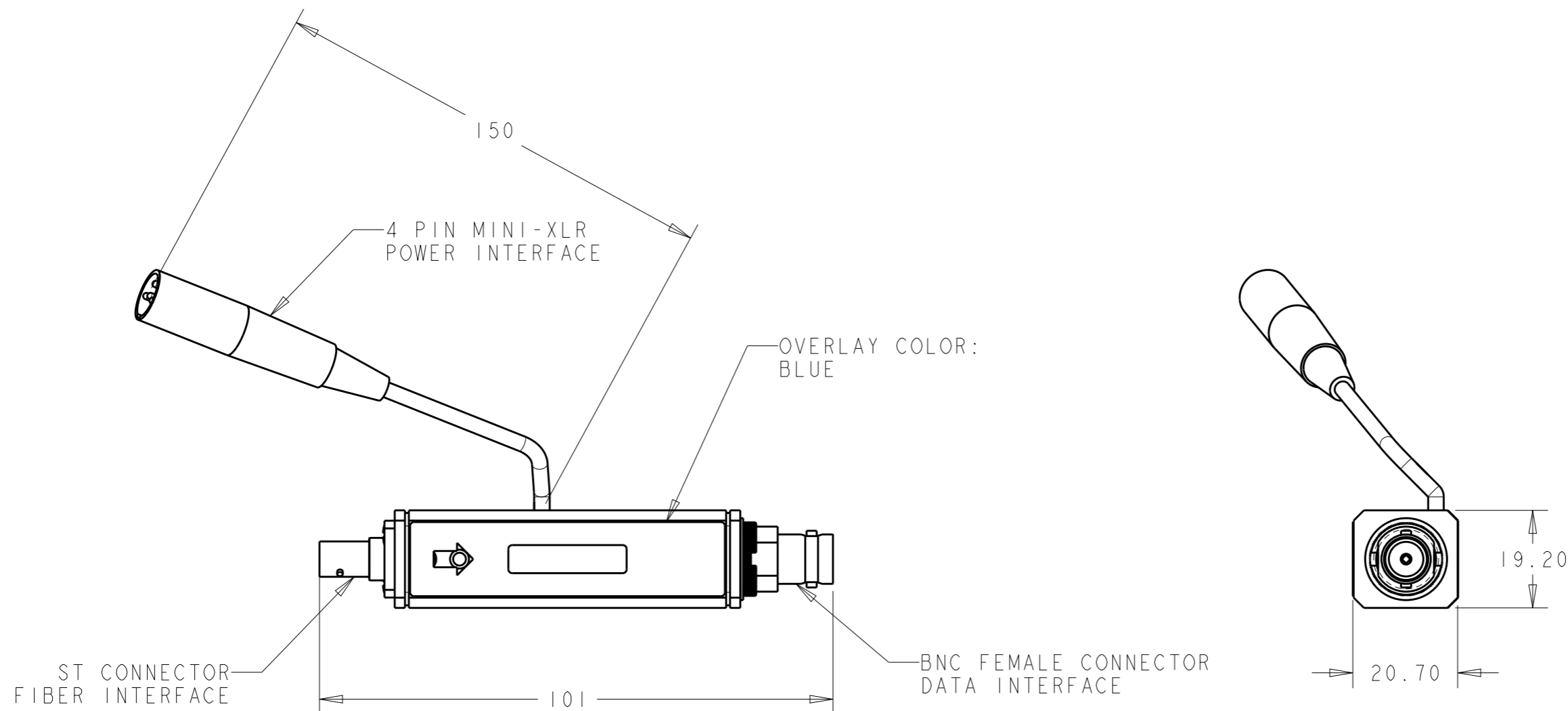


REVISIONS

- 1 DIMENSIONS ARE FOR REFERENCE ONLY.
- 2 MATERIAL:
ENCLOSURE: ALUMINUM ALLOY
CONNECTORS: VARIOUS
OVERLAY: POLYESTER
- 3 THIS PRODUCT IS RoHS COMPLIANT.

P	LTR	DESCRIPTION	DATE	DWN	APVD
	AI	INITIAL	13NOV2018	BP	-



THIS DRAWING IS A CONTROLLED DOCUMENT.		DWN B. PIPER	13NOV2018	TE TE Connectivity	
DIMENSIONS: mm		CHK -	APVD -		
TOLERANCES UNLESS OTHERWISE SPECIFIED:		PRODUCT SPEC -	APPLICATION SPEC -	SIZE A3	CAGE CODE -
0 PLC ±-		WEIGHT -		DRAWING NO G-MC2-R-P-2-R	RESTRICTED TO -
1 PLC ±-		CUSTOMER DRAWING		SCALE 1:1	SHEET 1
2 PLC ±-				OF 1	REV AI
3 PLC ±-					
4 PLC ±-					
ANGLES ±-					
MATERIAL -					
FINISH -					