

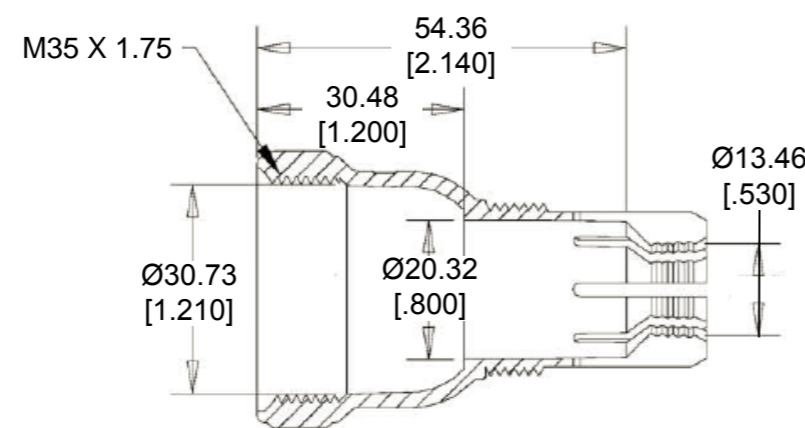
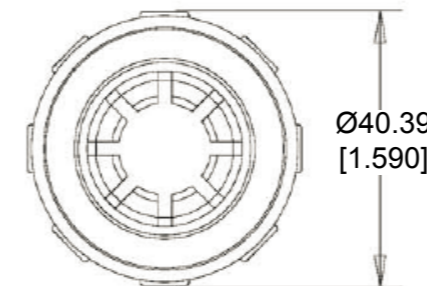
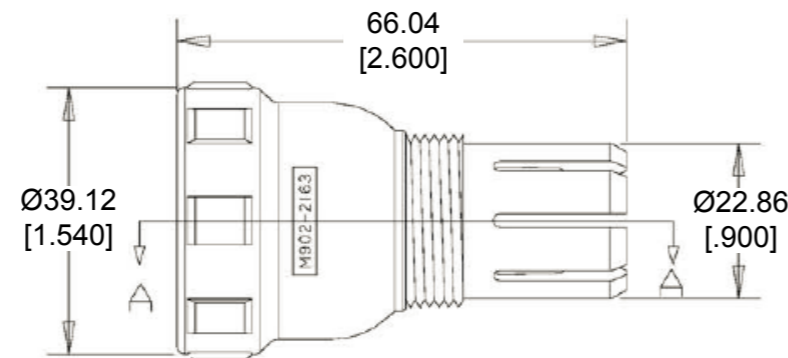
REVISIONS

| P | LTR | DESCRIPTION | DATE | DWN | APVD |
|---|-----|-------------------------------|----------|-----|------|
| A | | NEW RELEASE PER ECO-14-013596 | 09-05-14 | DM | DM |



Backshell

Compression Nut



SECTION A-A

- 6. PART NO. M902-2243
- 5. CABLE STRIPPED LENGTH: 63.50 [2.500] MAX.
- 4. CABLE SIZE: Ø.430 - Ø.570
- 3. TEMPERATURE RATING: -40°C TO +134°C [-40°F TO +273°F]
- 2. THIS PART IS USED WITH:
COMPRESSION NUT, M902-2053
- 1. THIS PART IS USED ON
HDP24-18-XXX-L015 RECEPTACLES
HDP26-18-XXX-L015 PLUGS
HDP24-24-XXX-L015 RECEPTALCES
HDP26-24-XXX-L015 PLUGS
SEE INVIDUAL CUSTOMER DRAWINGS

| | | | | | |
|--|--|--|--|---------------------------------------|--|
| THIS DRAWING IS A CONTROLLED DOCUMENT. | | DWN D. MEYER 05SEP2014 | | | |
| DIMENSIONS: MM [INCH] | | TOLERANCES UNLESS OTHERWISE SPECIFIED: | | | |
| | | 0 PLC ± | | NAME BACKSHELL, SIZE 18, 24 -L015 MOD | |
| | | 1 PLC ± | | CABLE SIZE: Ø.430 - Ø.570 | |
| MATERIAL PC/PBT | | 2 PLC ± .63 [.025] | | HDP20 SERIES | |
| | | 3 PLC ± | | SIZE A3 | |
| FINISH BLACK | | 4 PLC ± | | CAGE CODE 4AFU8 | |
| | | ANGLES ± 5° | | DRAWING NO. M902-2243 | |
| | | WEIGHT 20.50 g | | RESTRICTED TO - | |
| | | Customer Drawing | | SCALE NONE SHEET 1 OF 1 REV A | |