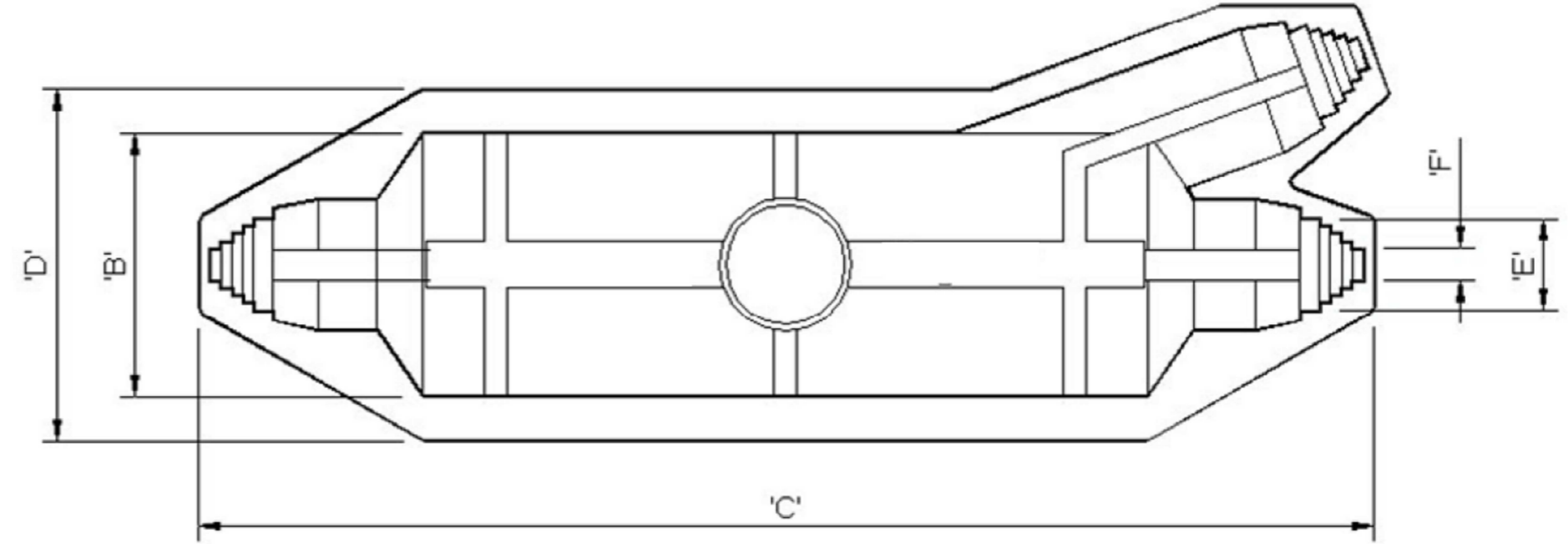
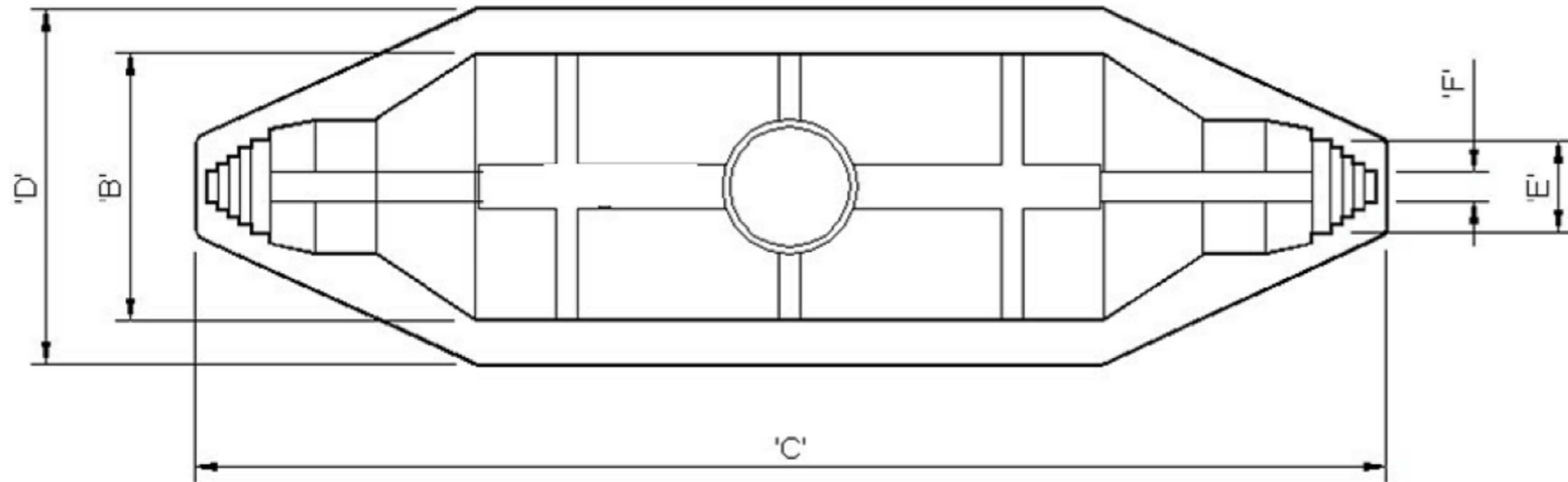
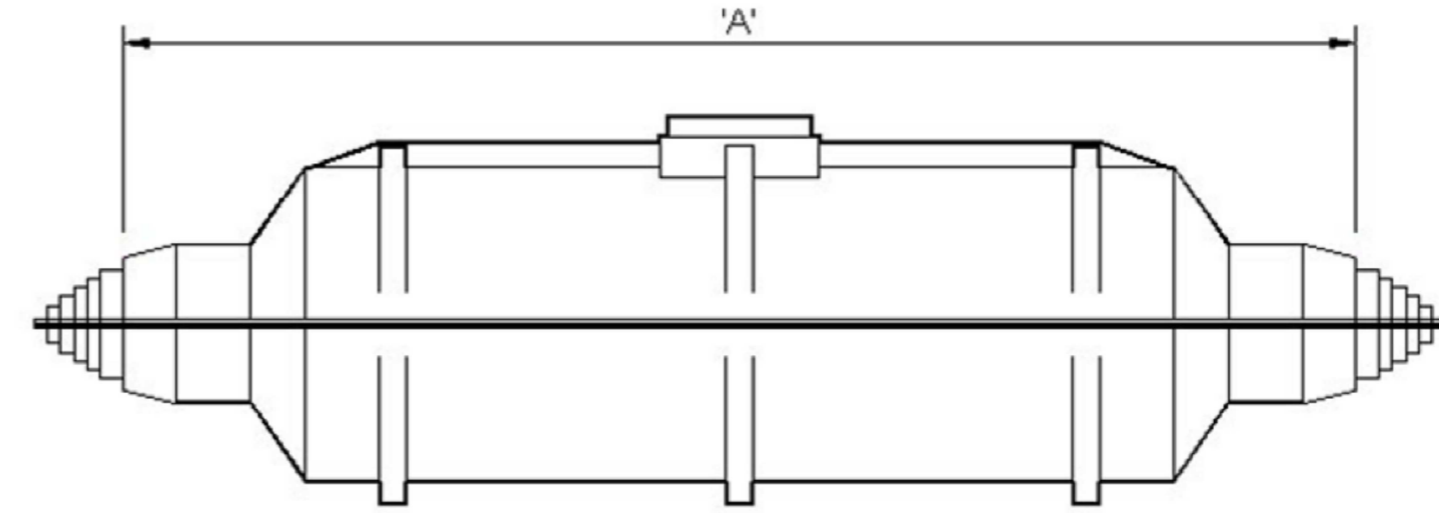
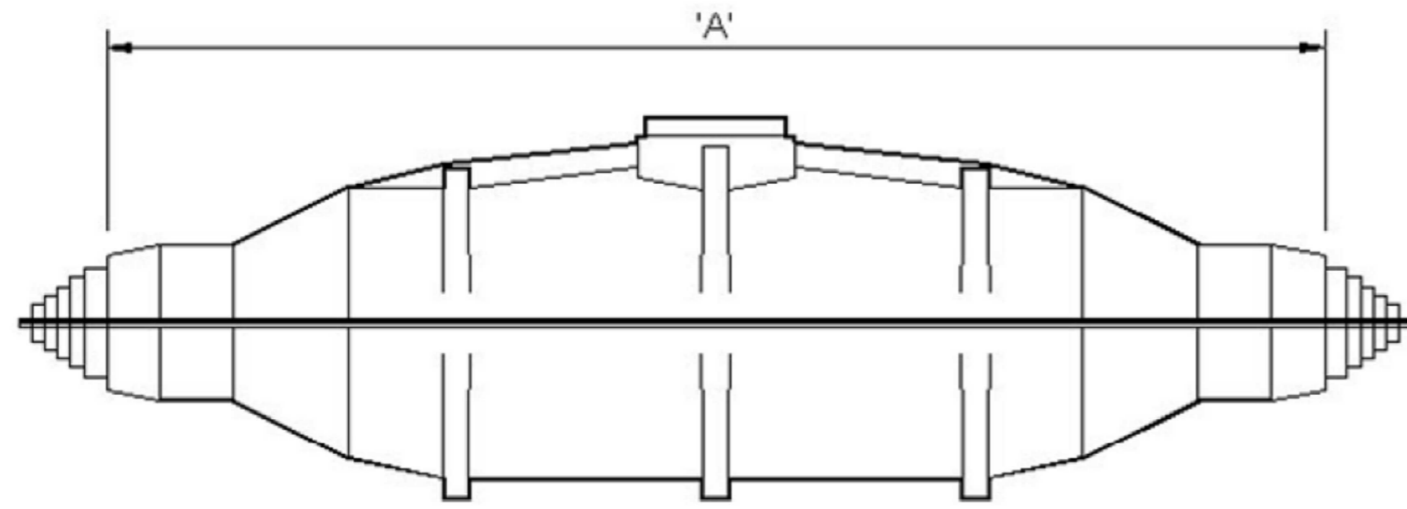


REVISIONS				
P	LTR	DESCRIPTION	DATE	DWN / APVD
1		NEW DRAWING	24AUG2021	GSK / PB



TSJ  
STRAIGHT JOINT

TBJ  
BRANCH JOINT

Type	BAH No.	Description	Max. Cable Size	A	B	C	D	ØE	ØF
TSJ STRAIGHT JOINT	BAH-038080672	TSJ STRAIGHT JOINT KIT - 6mm <sup>2</sup>	4 core - 6 mm <sup>2</sup>	195	50	275	85	21	9
	BAH-038080673	TSJ STRAIGHT JOINT KIT - 16mm <sup>2</sup>	4 core - 16 mm <sup>2</sup>	215	60	295	95	27	15
	BAH-038080674	TSJ STRAIGHT JOINT KIT - 35mm <sup>2</sup>	4 core - 35 mm <sup>2</sup>	255	80	330	115	33	21
	BAH-038080675	TSJ STRAIGHT JOINT KIT - 70mm <sup>2</sup>	4 core - 70 mm <sup>2</sup>	315	110	395	140	41	29
	BAH-038080676	TSJ STRAIGHT JOINT KIT - 120mm <sup>2</sup>	4 core - 120 mm <sup>2</sup>	490	120	575	150	57	39
	BAH-038080677	TSJ STRAIGHT JOINT KIT - 185mm <sup>2</sup>	4 core - 185 mm <sup>2</sup>	590	135	670	170	67	49
	BAH-038080678	TSJ STRAIGHT JOINT KIT - 300mm <sup>2</sup>	4 core - 300 mm <sup>2</sup>	790	160	870	195	77	59
TBJ BRANCH JOINT	BAH-038080680	TBJ BRANCH JOINT KIT - 16mm <sup>2</sup>	4 core - 16 mm <sup>2</sup>	235	75	315	140	27	15
	BAH-038080681	TBJ BRANCH JOINT KIT - 35mm <sup>2</sup>	4 core - 35 mm <sup>2</sup>	305	100	380	170	33	21
	BAH-038080682	TBJ BRANCH JOINT KIT - 70mm <sup>2</sup>	4 core - 70 mm <sup>2</sup>	395	120	470	185	41	29
	BAH-038080683	TBJ BRANCH JOINT KIT - 120mm <sup>2</sup>	4 core - 120 mm <sup>2</sup>	515	150	595	220	57	39
	BAH-038080684	TBJ BRANCH JOINT KIT - 185mm <sup>2</sup>	4 core - 185 mm <sup>2</sup>	615	180	690	240	67	49
	BAH-038080685	TBJ BRANCH JOINT KIT - 300mm <sup>2</sup>	4 core - 300 mm <sup>2</sup>	790	195	870	275	77	59

THIS DRAWING IS A CONTROLLED DOCUMENT.

DIMENSIONS: mm	TOLERANCES UNLESS OTHERWISE SPECIFIED: 0 PLC ± - 1 PLC ± - 2 PLC ± - 3 PLC ± - 4 PLC ± - ANGLES ± -	DWN 24AUG2021 SATHISH KUMAR_G CHK 24AUG2021 ANGEL. M APVD 24AUG2021 PAUL B. PRODUCT SPEC APPLICATION SPEC WEIGHT CUSTOMER DRAWING	TE Connectivity TSJ/TBJ RESIN JOINTS SIZE A2 CAGE CODE 00779 DRAWING NO. LVCA_TSJ-TBJ SCALE NTS SHEET 1 of 1 REV 1
-------------------	---	--	---