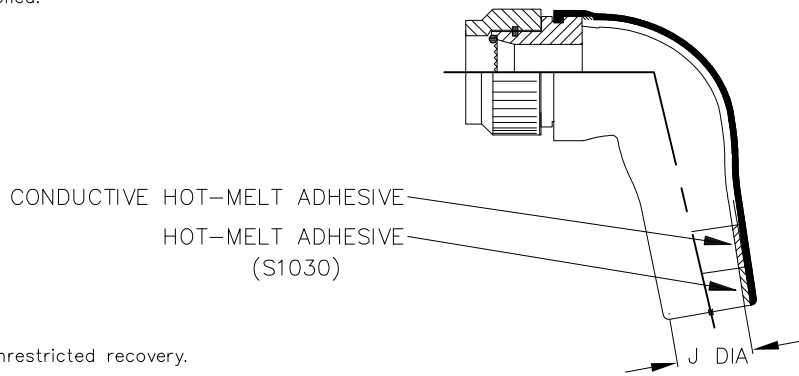


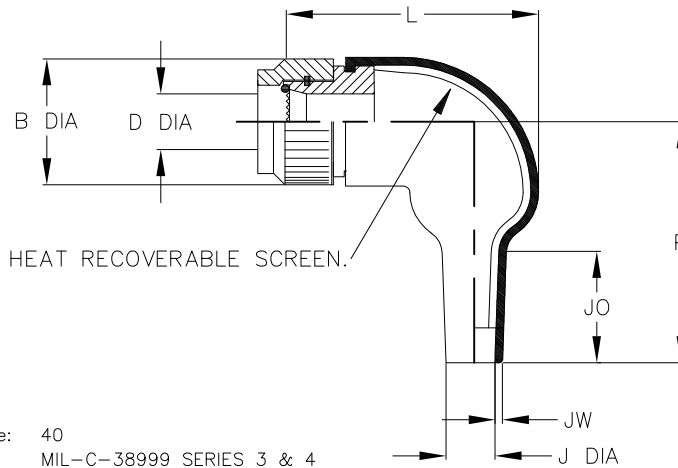
REVISIONS

P	LTR	DESCRIPTION	DATE	DWN	APVD
	2	RELEASED AS PER ECO-17-009529	30JUN2017	KH	MP

a) Part as supplied.



b) Part after unrestricted recovery.



NOTES:

Raychem Connector Code: 40
Connector Series: MIL-C-38999 SERIES 3 & 4
Adaptor Series: 208M7**-01W**-KNS
Nickel Aluminium Bronze to BS2874CA104 OR ASTM C 63200 OR ASTM B150
Unplated, Shotblast - Glass Bead

Moulded Part Material: -100C (Black); Polyolefin/Silver Composites, semi-flexible
ZEROHAL™ Low fire hazard

Kits to include cleaning tissue, 1 piece 100 grit emery cloth & packing piece.
Kit to be used in conjunction with installation guide for 90 & 45 deg. assemblies.

Dimensions in mm [inches for reference]

Part No.	Shell Size	B DIA MAX	D DIA MIN	J		P ±10% b	L ±10% b	JO REF b	JW ±30% b
				MIN a	MAX b				
KTKK3481	B	21.7 [.85]	9.3 [.37]	9 [.35]	6.0 [.24]	38 [1.50]	40 [1.57]	17 [.67]	1.0 [.04]
KTKK3482	C	25.5 [1.00]	12.9 [.51]	11 [.43]	7.2 [.28]	42 [1.65]	43 [1.69]	18 [.71]	1.0 [.04]
KTKK3483	D	29.3 [1.15]	14.1 [.56]	11 [.43]	7.2 [.28]	42 [1.65]	43 [1.69]	18 [.71]	1.0 [.04]
KTKK3484	E	31.9 [1.26]	18.8 [.74]	17 [.66]	8.5 [.33]	51 [2.01]	50 [1.97]	20 [.79]	1.0 [.04]
KTKK3485	F	35.7 [1.41]	18.8 [.74]	17 [.66]	8.5 [.33]	51 [2.01]	50 [1.97]	20 [.79]	1.0 [.04]
KTKK3486	G	38.2 [1.50]	23.6 [.93]	21 [.82]	10.0 [.39]	67 [2.64]	57 [2.24]	28 [1.10]	1.5 [.06]
KTKK3487	H	42.0 [1.65]	23.6 [.93]	21 [.82]	10.0 [.39]	67 [2.64]	57 [2.24]	28 [1.10]	1.5 [.06]
KTKK3488	J	44.6 [1.76]	30.9 [1.22]	29 [1.14]	15.8 [.62]	80 [3.15]	66 [2.60]	31 [1.22]	1.5 [.06]

THIS DRAWING IS UNPUBLISHED. COPYRIGHT 2016 By TE Connectivity

DIMENSIONS: mm [INCHES]	DWN K. HOTAL	14OCT2016	MATERIAL	SEE NOTES	FINISH	SEE NOTES
	CHK N. NAGAR	14OCT2016				
TOLERANCES UNLESS OTHERWISE SPECIFIED:	APVD M. POPE	14OCT2016				
0 PLC ± -	PRODUCT SPEC	NAME				ADAPTOR ASSEMBLY
1 PLC ± -	—	APPLICATION SPEC				—
2 PLC ± -	—	SIZE	CAGE CODE	DRAWING NO	RESTRICTED TO	—
3 PLC ± -	—	A4	00779	C-KTKK4300-4308	—	—
4 PLC ± -	—	WEIGHT				—
ANGLES ± -	CUSTOMER DRAWING				SCALE	DNS
				SHEET	1 OF 1	REV 2