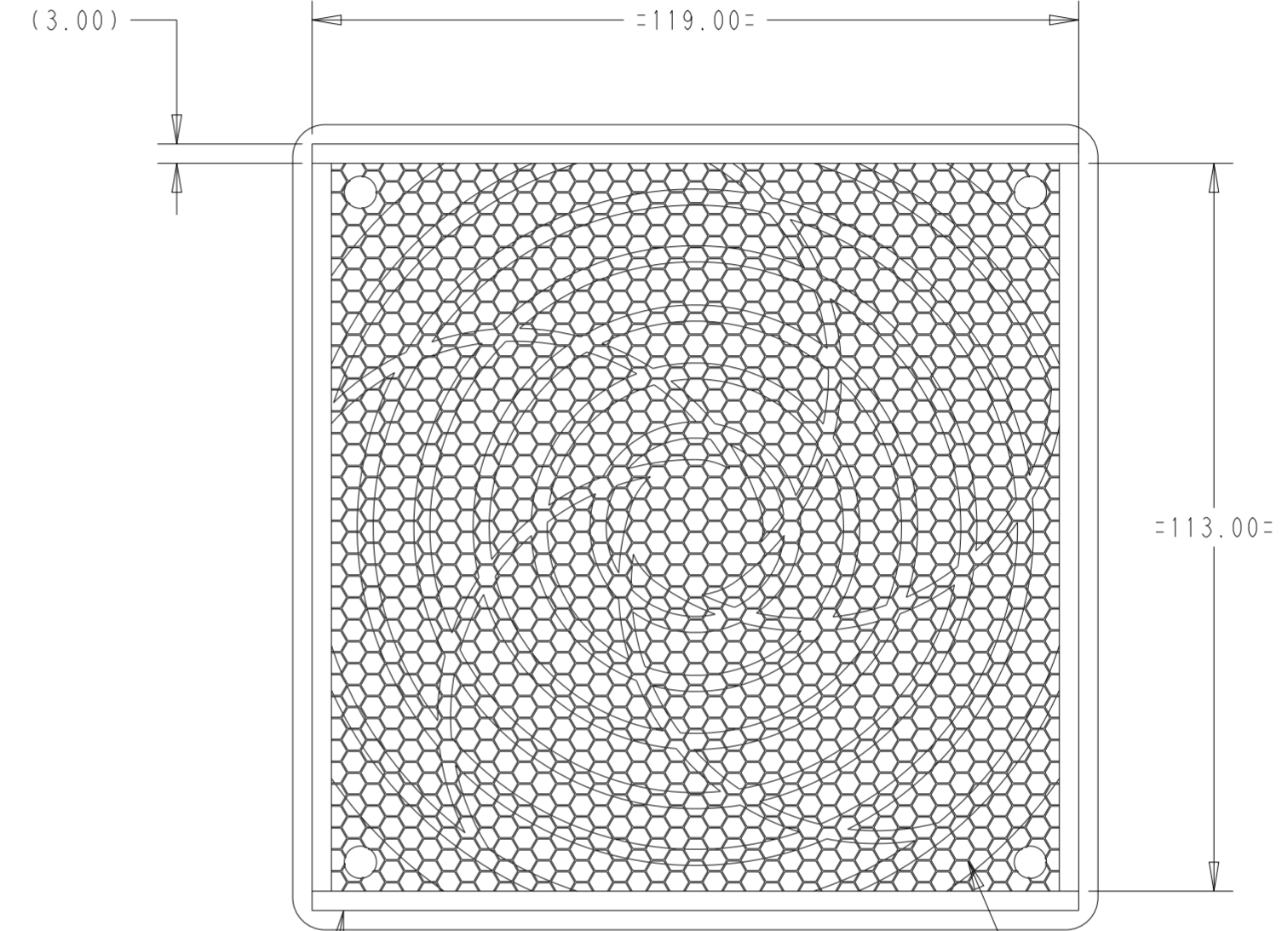
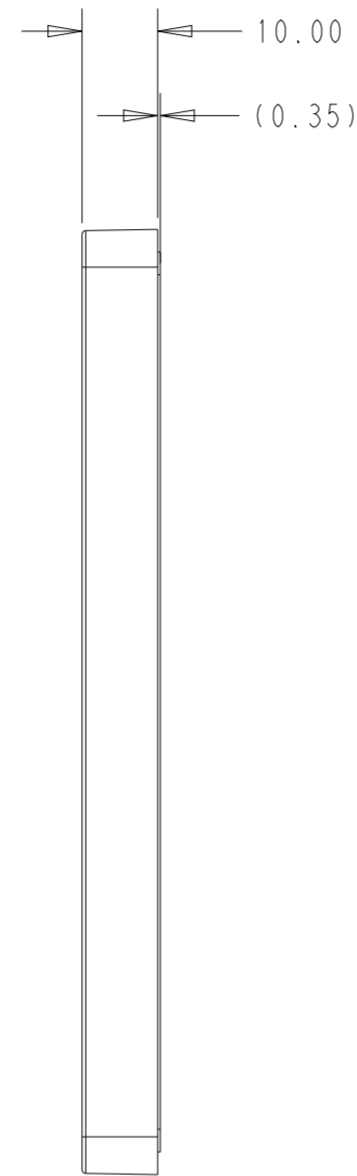
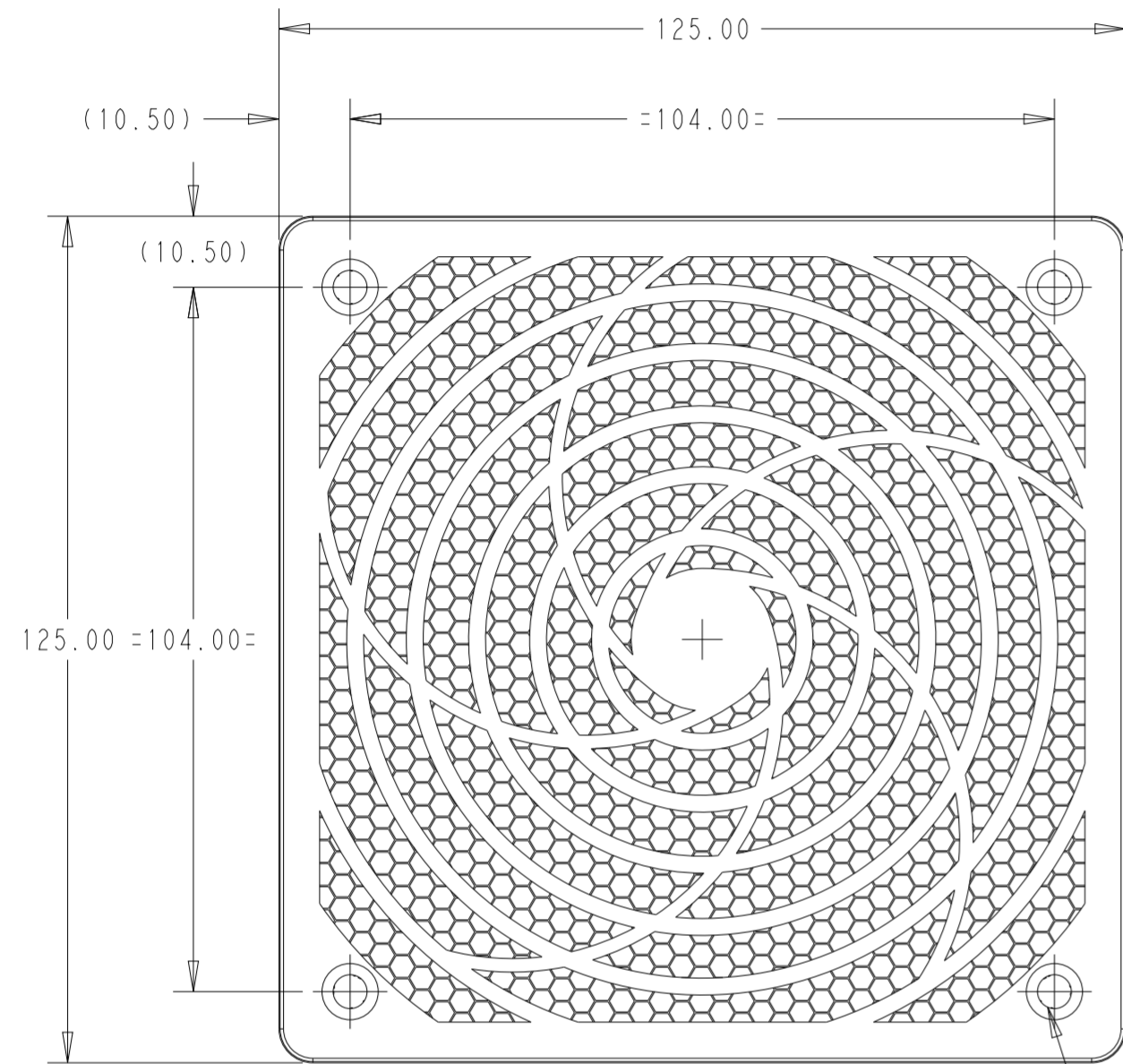


P	LTR	DESCRIPTION	DATE	DWN	APVD
A		NEW DRAWING	09SEP2022	BDA	DH
A1		MATERIAL INFO. UPDATED	02NOV2022	BDA	DH

GENERAL TOLERANCES:
 LINEAR: ±0.8
 HOLE CENTRES: ± 0.5
 ANGULAR: ±0.5°

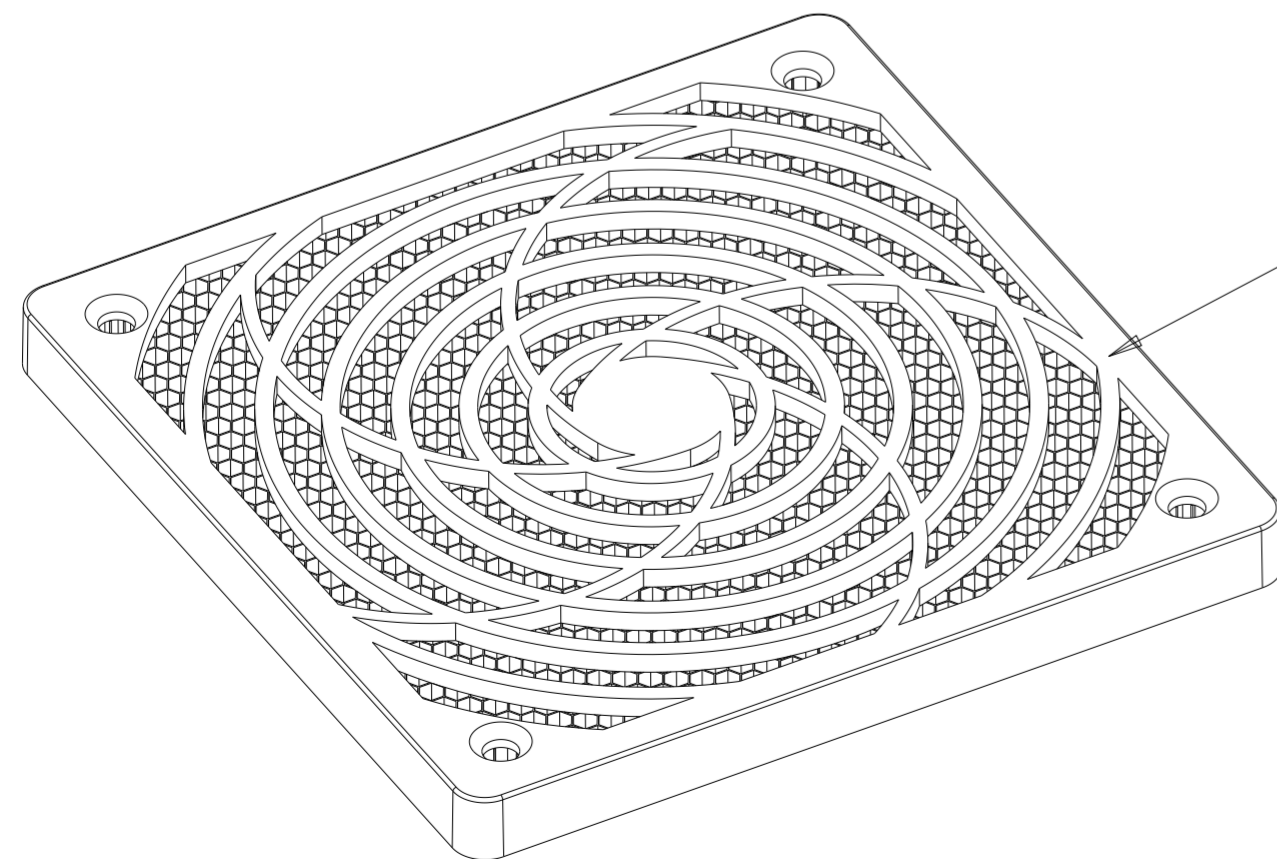


4 X Ø5 THRU ALL
 √Ø8.30 X 90°

4 X NICKEL/COPPER FABRIC
 CONDUCTIVE STRIP

1 LAYER 3.18 CELL X 6.35 THK
 ALUMINIUM 5052 HONEYCOMB
 SURTEC 650 FINISH

THE VENT BODY DESIGN
 & OBSTRUCTED AREA
 MAY VARY



ISOMETRIC VIEW (NTS)

HIGH IMPACT ABS	KEMVENT120	2430088-1
MATERIAL	ALIAS PART NUMBER	PART NUMBER

THIS DRAWING IS A CONTROLLED DOCUMENT.		DWN 09SEP2022 BASAVARAJA D A	TE Connectivity	
DIMENSIONS: mm		CHK 09SEP2022 B SELVAPANDIAN		
TOLERANCES UNLESS OTHERWISE SPECIFIED:		APVD 09SEP2022 D HEMMINGS	NAME KEM_1651-KEMVENT_120	
0 PLC	±	PRODUCT SPEC	-	
1 PLC	±0.1	APPLICATION SPEC	-	
2 PLC	±0.07	WEIGHT	-	
3 PLC	±0.001	CUSTOMER DRAWING	-	
4 PLC	±0.0001	SCALE 1:1	SHEET 1 OF 1	
ANGLES	±	RESTRICTED TO	-	
FINISH	-	REV A1	-	