

P	LTR	DESCRIPTION	DATE	DWN	APVD
	A1	NEW DRAWING	01.04.2020	SI	SI

# KAPTON LABELS OVERVIEW

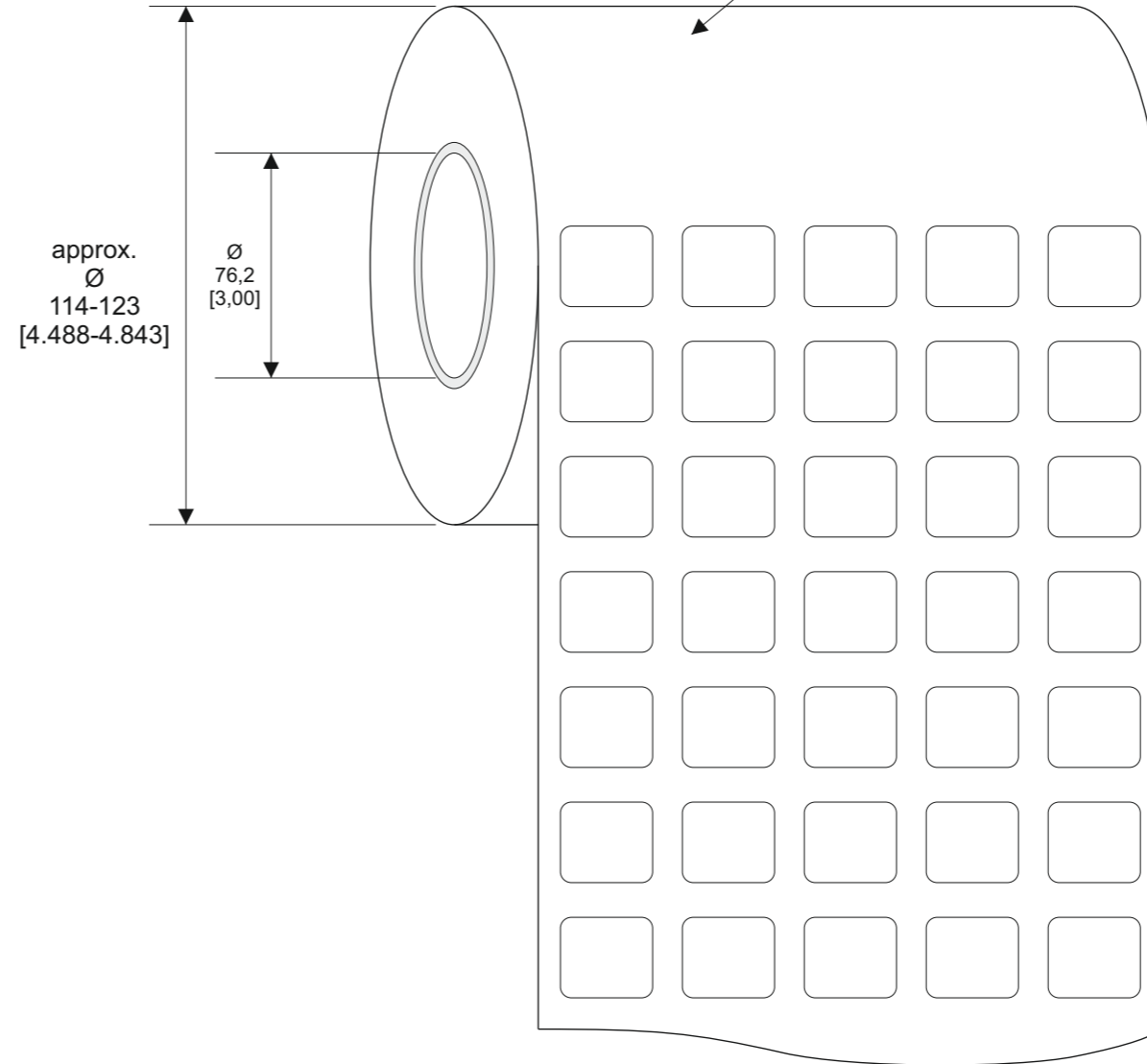
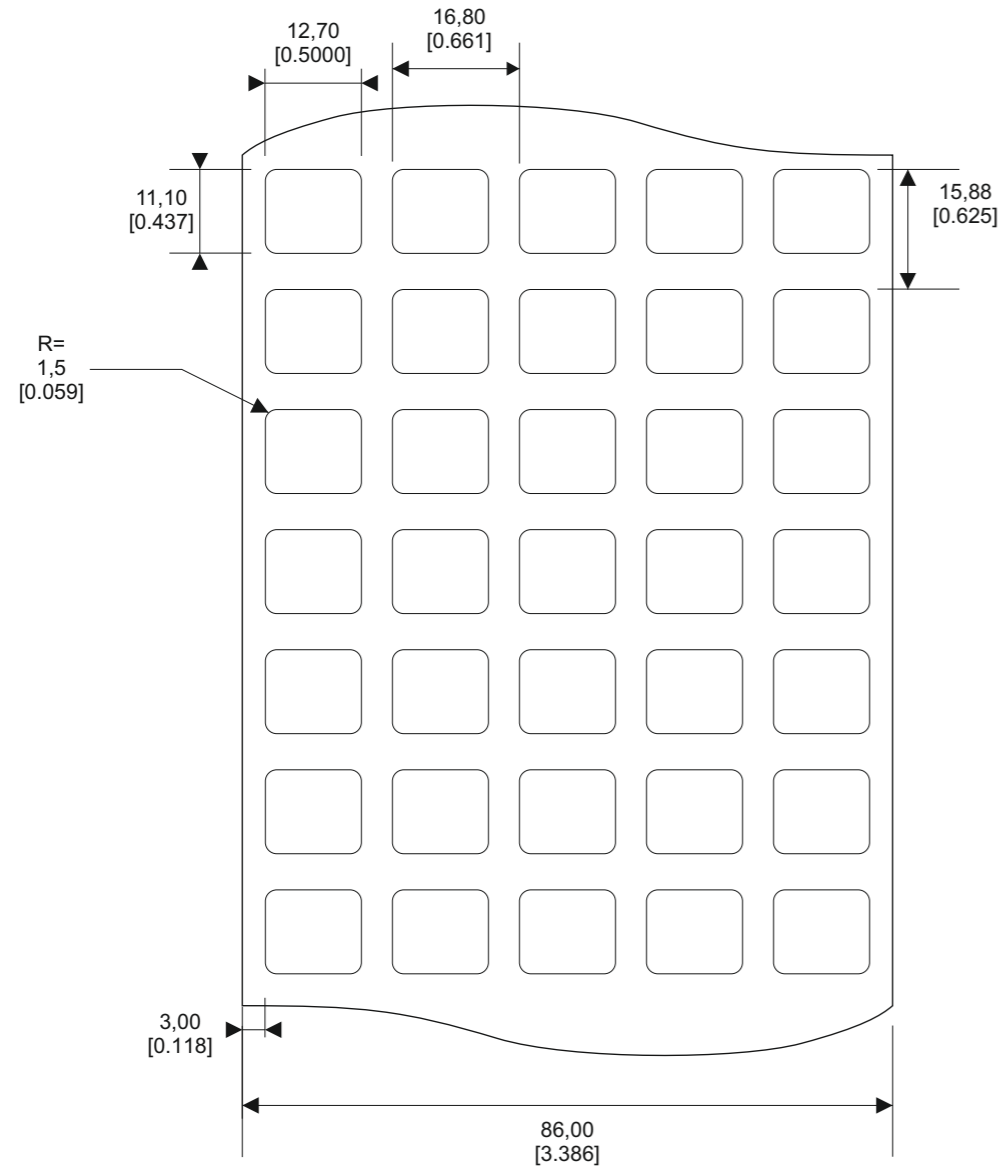
SERIES	PART NO.	DESCRIPTION	MATERIAL	TTDS
T1K	A87059-000	T1K-127111-5-9	KP228, Kapton white gloss (0,063 mm), Acrylic adhesive	TTDS-034
T2K	E91570-000	T2K-127111-5-9	KP842, Kapton white gloss (0,118 mm), Acrylic adhesive	TTDS-035

Quantity per roll: 10.000 PCs

Labels across: 5

Winding: outside


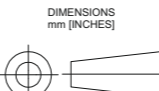

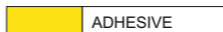

length of roll: 31,8 m



KAPTON SERIES

All dimensions in mm [inch]

labels are centered on the liner as long as not declared separately

LABEL BUILD DETAILS		TOLERANCES mm [INCH]		THIS DRAWING IS A CONTROLLED DOCUMENT		DWN S. Iser / 01.04.2020 DATE		TE Connectivity		
	SUBSTRATE	LABEL HEIGHT:	±0,3 [012]	 DIMENSIONS mm [INCHES]	TOLERANCES UNLESS OTHERWISE SPECIFIED 0 PLC ± - 1 PLC ± - 2 PLC ± - 3 PLC ± - 4 PLC ± - ANGLES ± -	CHK S. Iser / 01.04.2020 DATE	 Name Kapton Label Size „127111“			
	ADHESIVE	LABEL WIDTH:	±0,3 [012]			APVD S. Iser / 01.04.2020 DATE				
	LINER	WEB WIDTH:	±0,8 [031]	MATERIAL SEE TABLE FINISH GLOSS UNPRINTED MATT PRINTED		PRODUCT SPEC DATE	SIZE A3	CAGE CODE C2290	DRAWING NO. C-KAPTON	RESTRICTED TO
		VERTICAL REPEAT:	±0,8 [031]*			APPLICATION SPEC DATE				
		HORIZONTAL REPEAT:	±0,8 [031]*			WEIGHT T1K: 0,014 g   T2K: 0,021g				
		PRINT POSITIONING:	±0,8 [031]*			CUSTOMER DRAWING		SHEET 1 of 1		REV A1
		LEFT MARGIN:	±0,4 [016]							
		QUANTITY:	-0% +2%							
		*NON ACCUMULATING								