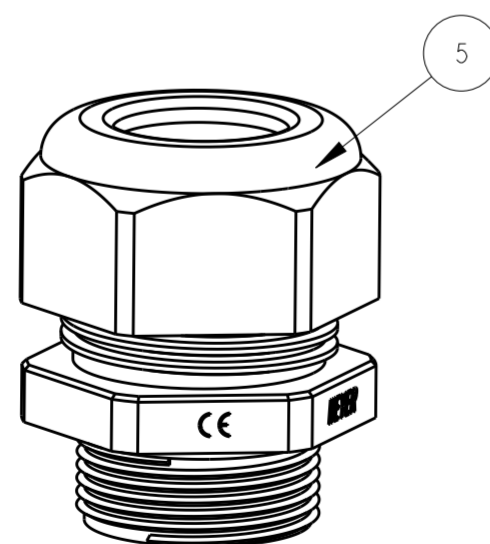
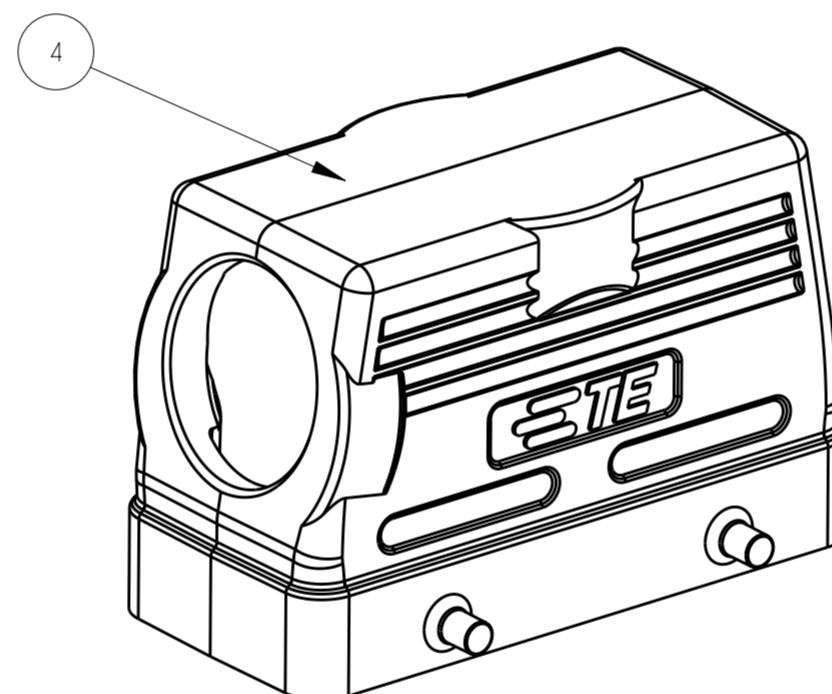
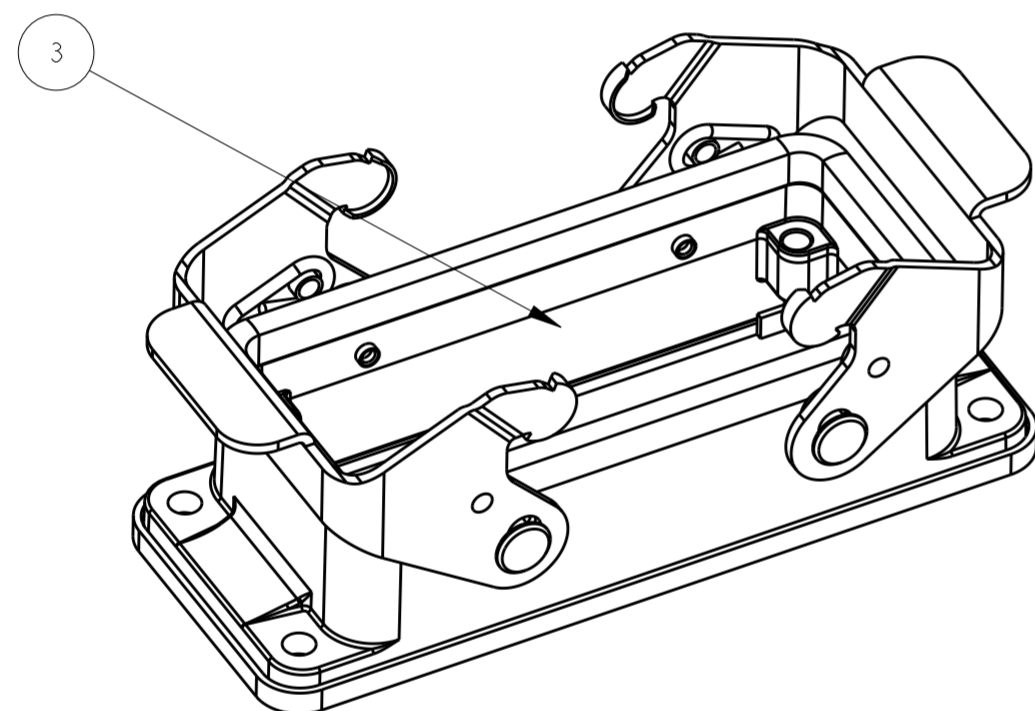
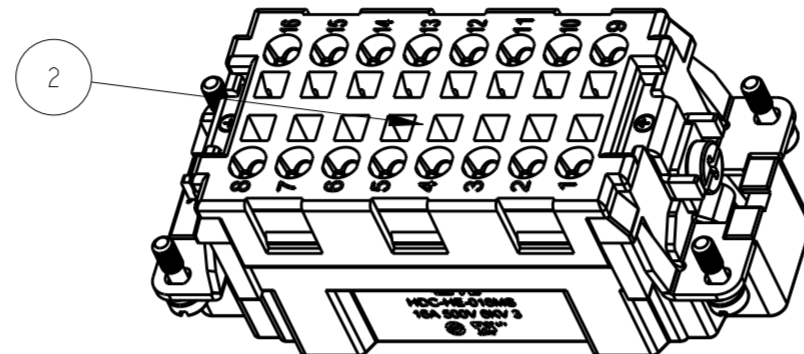
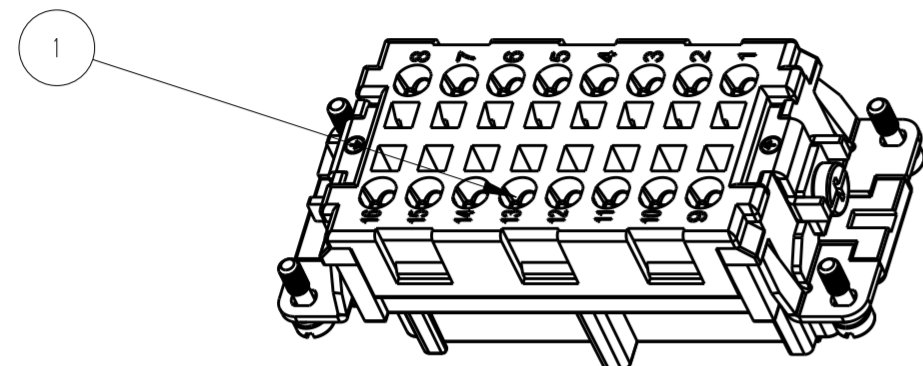


THIS DRAWING IS UNPUBLISHED. RELEASED FOR PUBLICATION 20
 © COPYRIGHT 20 BY - ALL RIGHTS RESERVED.

REVISIONS				
P	LTR	DESCRIPTION	DATE	DWN APVD
	A	INITIAL RELEASE	13MAR2018	RG CW



NOTES:

- 1 SET OF PRODUCT (K0000000139-000) CONTAIN:
 1 PC ITEM No.1 (T2040163201-000) AND 1PC ITEM No.2 (T2040163101-000) ARE IN ONE BAG WITH ASSEMBLY STAGE;
 1 PC ITEM No.3 (T1410162000-000) IN ONE BAG;
 1 PC ITEM No.4 (T1210160132-000) IN ONE BAG;
 1 PC ITEM No.5 (T3209321222-001) IN ONE BAG.
2. 1 SET OF PRODUCT (K0000000139-000) IS PUT IN ONE INNER-BOX;
 20 INNER-BOXS IN ONE CARTON

注释:

1. 1套产品 (K0000000139-000) 包含
 1个序号1零件 (T2040163201-000) 和一个序号2零件 (T2040163101-000) 以装配状态包装在1个袋子里;
 1个序号3零件 (T1410162000-000) 包装在1个袋子里;
 1个序号4零件 (T1210160132-000) 包装在1个袋子里;
 1个序号5零件 (T3209321222-001) 包装在1个袋子里。
2. 1套产品 (K0000000139-000) 放置在一个内盒中;
 每箱包含20个内盒。

K0000000139-000 HDC-HE-016-MS-M32-GLAND KITS HE-016 弹片式接插体及H16B侧出金属壳体M32,带M32塑料电缆接头, 套包					
T3209321222-001	HSK-M32G	PLASTIC CABLE GLAND M32*1.5 18-25 GREY 塑料接头 M32*1.5 18-25 灰色	1	5	
T1210160132-000	H16B-TS-M32	H16B HOOD, SIDE ENTRY M32, 4 EAR, LOW CONSTRUCTION, POWDER COATED, GREY H16B上壳, 侧出M32, 4耳, 低结构, 灰色粉末喷涂	1	4	
T1410162000-000	H16B-AG	H16B HOUSING, BULKHEAD MOUNTED, METAL DOUBLE LOCKING, POWDER COATED, GREY H16B下壳, 开孔安装, 密封双扣, 灰色粉末喷涂	1	3	
T2040163101-000	HE-016-MS	HE-016 MALE INSERT, SPRING CLAMP HE-016公插, 弹片	1	2	
T2040163201-000	HE-016-FS	HE-016 FEMALE INSERT, SPRING CLAMP HE-016母插, 弹片	1	1	
PART NUMBER 零件料号	PART DESCRIPTION 零件描述			Q'TY 数量	ITEM 序号

THIS DRAWING IS A CONTROLLED DOCUMENT.		DWN ROBERT GAN 13MAR2018	TE Connectivity HDC-HE-016-MS-M32-GLAND KITS		
		CHK GINO YAO 13MAR2018			
DIMENSIONS: mm 		APVD CHRIS WANG 13MAR2018	NAME		
TOLERANCES UNLESS OTHERWISE SPECIFIED: 0 PLC ± 1 PLC ± 2 PLC ± 3 PLC ± 4 PLC ± ANGLES ± FINISH -		PRODUCT SPEC	RESTRICTED TO		
MATERIAL TBD material_2		APPLICATION SPEC	SIZE A2	CAGE CODE -	DRAWING NO G-K0000000139000
		WEIGHT -	SCALE 1:1		SHEET 1 OF 1
		RESTRICTED CUSTOMER		REV A	