

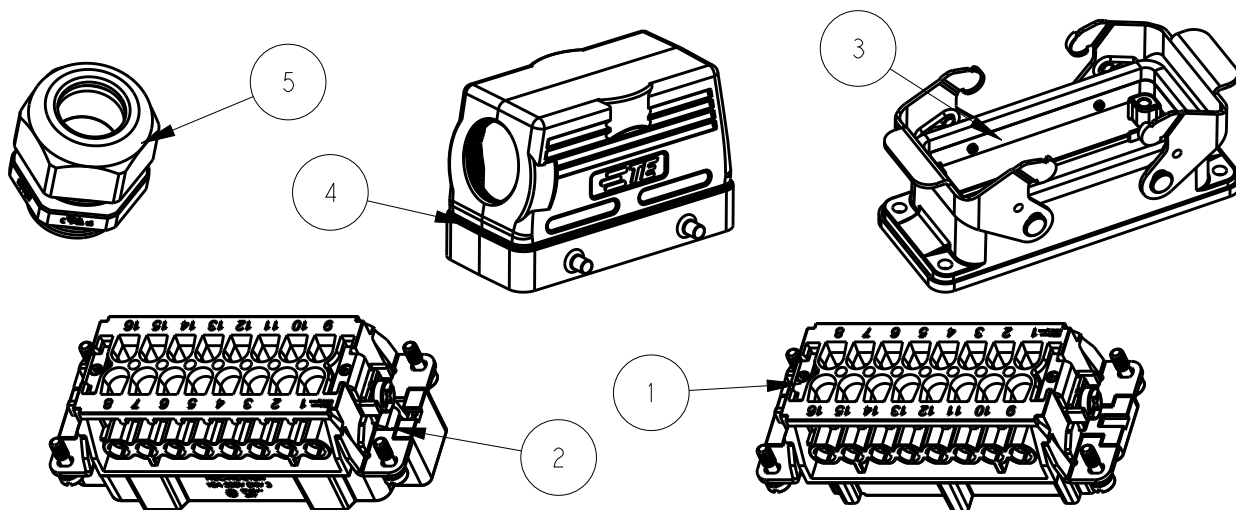
REVISIONS					
P	LTR	DESCRIPTION	DATE	DWN	APVD
	A	INITIAL RELEASE	12APR2016	DL	CW
	B	ECR-17-007413	25MAY2017	DL	CW

NOTES:

- 1 SET OF PRODUCT (K0000000086-000) CONTAIN:
 1 PC ITEM No.1 (T2040162201-000) AND 1PC ITEM No.2 (T2040162101-000) ARE IN ONE BAG WITH ASSEMBLY STAGE;
 1 PC ITEM No.3 (T1410162000-000) IN ONE BAG;
 1 PC ITEM No.4 (T1210160121-000) IN ONE BAG;
 1 PC ITEM No.5 (T3209211201-000) IN ONE BAG;
- 1 SET OF PRODUCT (K0000000086-000) IS PUT IN ONE INNER-BOX;
 20 INNER-BOXS IN ONE CARTON.

技术要求:

- 1套产品(K0000000086-000)包含:
 1个序号1零件(T2040162201-000)和1个序号2零件(T2040162101-000)以装配状态包装到1个袋子里;
 1个序号3零件(T1410162000-000)包装到1个袋子里;
 1个序号4零件(T1210160121-000)包装到1个袋子里;
 1个序号5零件(T3209211201-000)包装到1个袋子里;
- 1套产品(K0000000086-000)放到一个内盒里; 一箱总共包装20个内盒



K0000000086-000
 HDC-HE-016-GLAND KITS
 组合包装料号_HE-016接插体及H16B侧出金属壳体 PG21 带GLAND

PART NUMBER 零件料号	PART DESCRIPTION 零件描述	Q'TY 数量	ITEM 序号
T3209211201-000	HSK-P21G PLASTIC GLAND PG21 (13-18), GREY 塑料接头 PG21(13-18), 灰色	1	5
T1210160121-000	H16B-TS-PG21 H16B HOOD, SIDE ENTRY PG21, 4 EAR, LOW CONSTRUCTION, POWDER COATED, GREY H16B上壳, 侧出PG21, 4耳, 低结构, 灰色粉末喷涂	1	4
T1410162000-000	H16B-AG H16B HOUSING, BULKHEAD MOUNTED, METAL DOUBLE LOCKING, POWDER COATED, GREY H16B下壳, 开孔安装, 彩转双扣, 灰色粉末喷涂	1	3
T2040162101-000	HE-016-M HE-016 MALE INSERT HE-016 公插	1	2
T2040162201-000	HE-016-F HE-016 FEMALE INSERT HE-016 母插	1	1

20


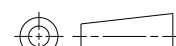
RELEASED FOR PUBLICATION

ALL RIGHTS RESERVED.

BY -

COPYRIGHT 20

THIS DRAWING IS UNPUBLISHED.

DIMENSIONS: mm		DWN DAVID LI 12APR2016	MATERIAL -	FINISH -	
TOLERANCES UNLESS OTHERWISE SPECIFIED:		CHK CHRIS WANG 12APR2016	 TE Connectivity		
0 PLC ±-	1 PLC ±-	APVD XU XIANG 12APR2016			
2 PLC ±-	3 PLC ±-	PRODUCT SPEC -	NAME HDC-HE-016-GLAND KITS		
4 PLC ±-	ANGLES ±-	APPLICATION SPEC -	SIZE A4	CAGE CODE -	DRAWING NO C-K0000000086000
		WEIGHT -	RESTRICTED TO -		
CUSTOMER DRAWING			SCALE 1:1	SHEET 1 OF 1	REV B