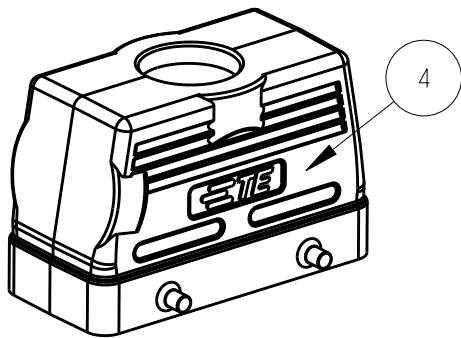


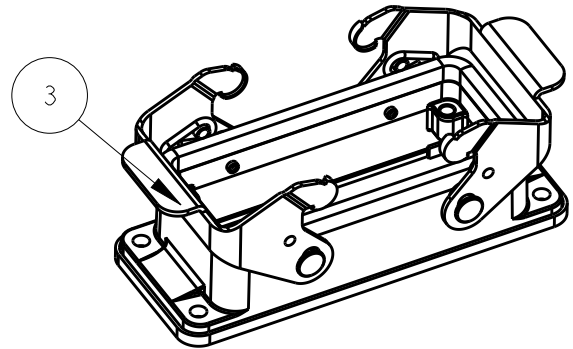
REVISIONS					
P	LTR	DESCRIPTION	DATE	DWN	APVD
	A	INITIAL RELEASE	02SEP2015	DL	CW

NOTES:

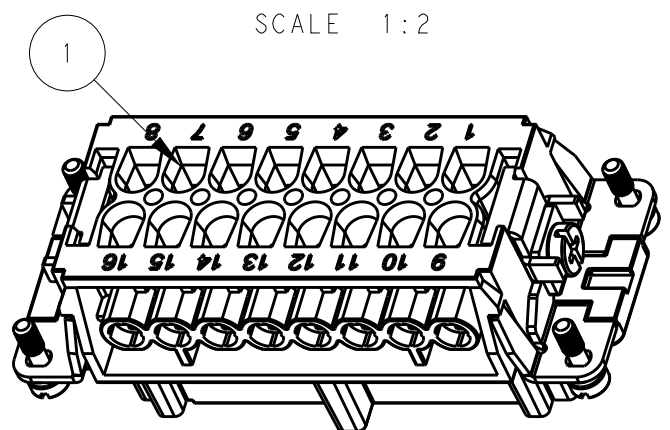
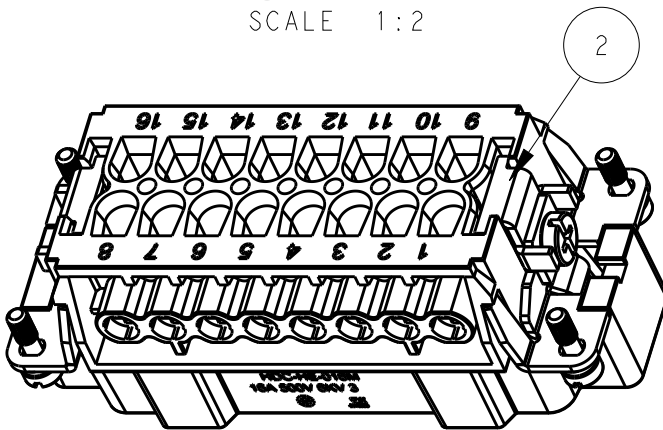
- 1 SET OF PRODUCT (K0000000036-000) CONTAIN:  
 1 PC ITEM No.1 (T2040162201-000) AND 1PC ITEM No.2  
 (T2040162101-000) ARE IN ONE BAG WITH ASSEMBLY STAGE;  
 1 PC ITEM No.3 (T1410162000-000) IN ONE BAG;  
 1 PC ITEM No.4 (T1220160121-000) IN ONE BAG;
- 1 SET OF PRODUCT (K0000000036-000) IS PUT IN ONE INNER-BOX;  
 20 INNER-BOXS IN ONE CARTON.



SCALE 1:2



SCALE 1:2



K0000000036-000				
4	T1220160121-000	HOOD	H16B-TG-PG21	1
3	T1410162000-000	HOUSING	H16B-AG	1
2	T2040162101-000	MALE INSERT	HE-016-M	1
1	T2040162201-000	FEMALE INSERT	HE-016-F	1
ITEM No.	PART NUMBER	PART DESCRIPTION	PART TYPE	Q'TY

20  
 RELEASED FOR PUBLICATION  
 ALL RIGHTS RESERVED.  
 BY -  
 THIS DRAWING IS UNPUBLISHED.  
 COPYRIGHT 20

DIMENSIONS:	
mm	
TOLERANCES UNLESS OTHERWISE SPECIFIED:	
0 PLC	±-
1 PLC	±-
2 PLC	±-
3 PLC	±-
4 PLC	±-
ANGLES	±-

DWN DAVID LI	02SEP2015	MATERIAL	TBD	FINISH	-
CHK CHRIS WANG	02SEP2015	TE Connectivity			
APVD XU XIANG	02SEP2015				
PRODUCT SPEC	-	NAME HDC-HE-016.1 KITS			
APPLICATION SPEC	-	SIZE	A4	CAGE CODE	-
WEIGHT	-	DRAWING NO	C-K0000000036000		
CUSTOMER DRAWING		RESTRICTED TO	-		
		SCALE	1:1	SHEET	1 OF 1
		REV	A		