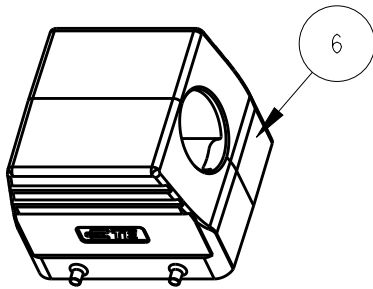


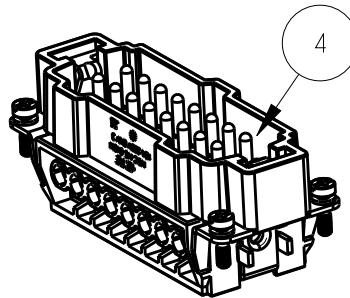
REVISIONS					
P	LTR	DESCRIPTION	DATE	DWN	APVD
	A	INITIAL RELEASE	06SEP2015	DL	CW

NOTES:

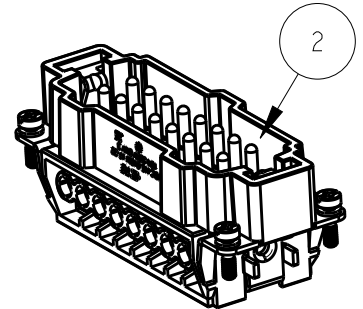
- 1 SET OF PRODUCT (K0000000034-000) CONTAIN:  
 1 PC ITEM No.1 (T2040322201-000) AND 1PC ITEM No.2 (T2040322101-000) ARE IN ONE BAG WITH ASSEMBLY STAGE;  
 1 PC ITEM No.3 (T2040162201-000) AND 1PC ITEM No.4 (T2040162101-000) ARE IN ONE BAG WITH ASSEMBLY STAGE;  
 1 PC ITEM No.5 (T1440322129-000) IN ONE BAG;  
 1 PC ITEM No.6 (T1210320129-000) IN ONE BAG;
- 1 SET OF PRODUCT (K0000000034-000) IS PUT IN ONE INNER-BOX;  
 10 INNER-BOXS IN ONE CARTON.



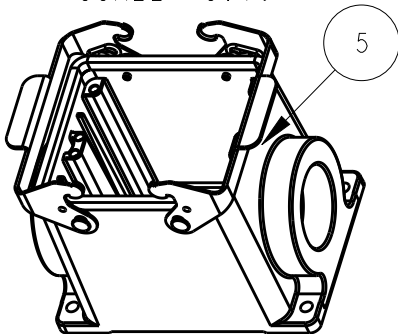
SCALE 3:10



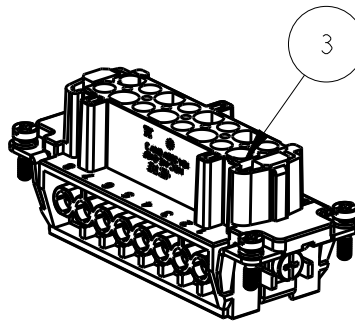
SCALE 3:5



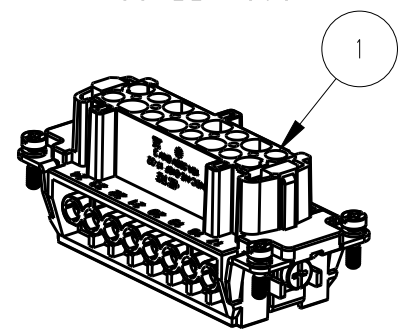
SCALE 3:5



SCALE 3:10



SCALE 3:5



SCALE 3:5

K0000000034-000

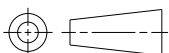
6	T1210320129-000	HOOD	H32B-TS-PG29	1
5	T1440322129-000	HOUSING	H32B-SGR-PG29	1
4	T2040162101-000	MALE INSERT	HE-016-M	1
3	T2040162201-000	FEMALE INSERT	HE-016-F	1
2	T2040322101-000	MALE INSERT	HE-016-M (17-32)	1
1	T2040322201-000	FEMALE INSERT	HE-016-F (17-32)	1
ITEM No.	PART NUMBER	PART DESCRIPTION	PART TYPE	Q'TY

DIMENSIONS:

mm

TOLERANCES UNLESS OTHERWISE SPECIFIED:

0 PLC ±-  
 1 PLC ±-  
 2 PLC ±-  
 3 PLC ±-  
 4 PLC ±-  
 ANGLES ±-



DWN 06SEP2015

DAVID LI

CHK 06SEP2015

CHRIS WANG

APVD 06SEP2015

XU XIANG

PRODUCT SPEC

-

APPLICATION SPEC

-

WEIGHT

-

CUSTOMER DRAWING

MATERIAL

TBD

FINISH

-



TE Connectivity

NAME

HDC-HE-032.2 KITS

SIZE

A4

CAGE CODE

-

DRAWING NO

C-K0000000034000

RESTRICTED TO

-

SCALE

1:1

SHEET

1 OF 1

REV

A

20

RELEASED FOR PUBLICATION

THIS DRAWING IS UNPUBLISHED.

BY -

© COPYRIGHT 20