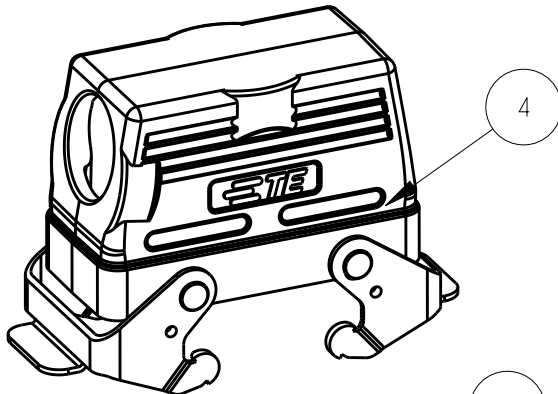


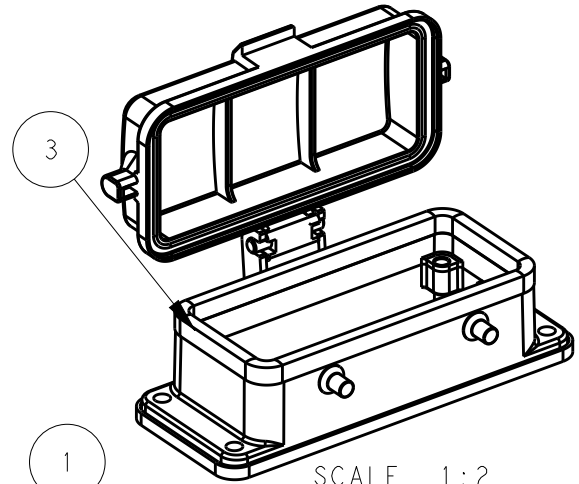
REVISIONS					
P	LTR	DESCRIPTION	DATE	DWN	APVD
	A	INITIAL RELEASE	02SEP2015	DL	CW

NOTES:

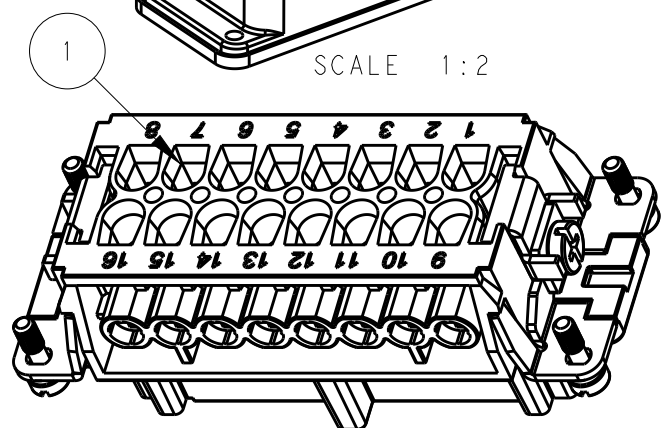
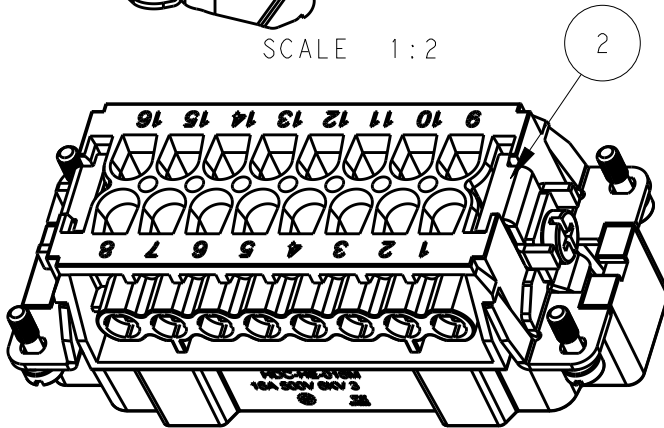
- 1 SET OF PRODUCT (K0000000028-000) CONTAIN:  
 1 PC ITEM No.1 (T2040162201-000) AND 1PC ITEM No.2 (T2040162101-000) ARE IN ONE BAG WITH ASSEMBLY STAGE;  
 1 PC ITEM No.3 (T1430160000-000) IN ONE BAG;  
 1 PC ITEM No.4 (T1250162121-000) IN ONE BAG;
- 1 SET OF PRODUCT (K0000000028-000) IS PUT IN ONE INNER-BOX;  
 20 INNER-BOXS IN ONE CARTON.




SCALE 1:2



SCALE 1:2



ITEM No.	PART NUMBER	PART DESCRIPTION	PART TYPE	Q'TY
K0000000028-000				
4	T1250162121-000	HOOD	H16B-TSB-PG21	1
3	T1430160000-000	HOUSING	H16B-AD-BO	1
2	T2040162101-000	MALE INSERT	HE-016-M	1
1	T2040162201-000	FEMALE INSERT	HE-016-F	1

DIMENSIONS: mm	DWN DAVID LI 02SEP2015	MATERIAL TBD	FINISH -
TOLERANCES UNLESS OTHERWISE SPECIFIED:	CHK CHRIS WANG 02SEP2015	 TE Connectivity	
0 PLC ±-	APVD XU XIANG 02SEP2015		
1 PLC ±-	PRODUCT SPEC	NAME HDC-HE-016.4 KITS	
2 PLC ±-	APPLICATION SPEC	SIZE A4	RESTRICTED TO
3 PLC ±-		CAGE CODE -	
4 PLC ±-		DRAWING NO C-K0000000028000	
ANGLES ±-		WEIGHT -	
	CUSTOMER DRAWING	SCALE 1:1	SHEET 1 OF 1
			REV A

20

RELEASED FOR PUBLICATION

ALL RIGHTS RESERVED.

BY -

© COPYRIGHT 20

THIS DRAWING IS UNPUBLISHED.

0 PLC	±-
1 PLC	±-
2 PLC	±-
3 PLC	±-
4 PLC	±-
ANGLES	±-

