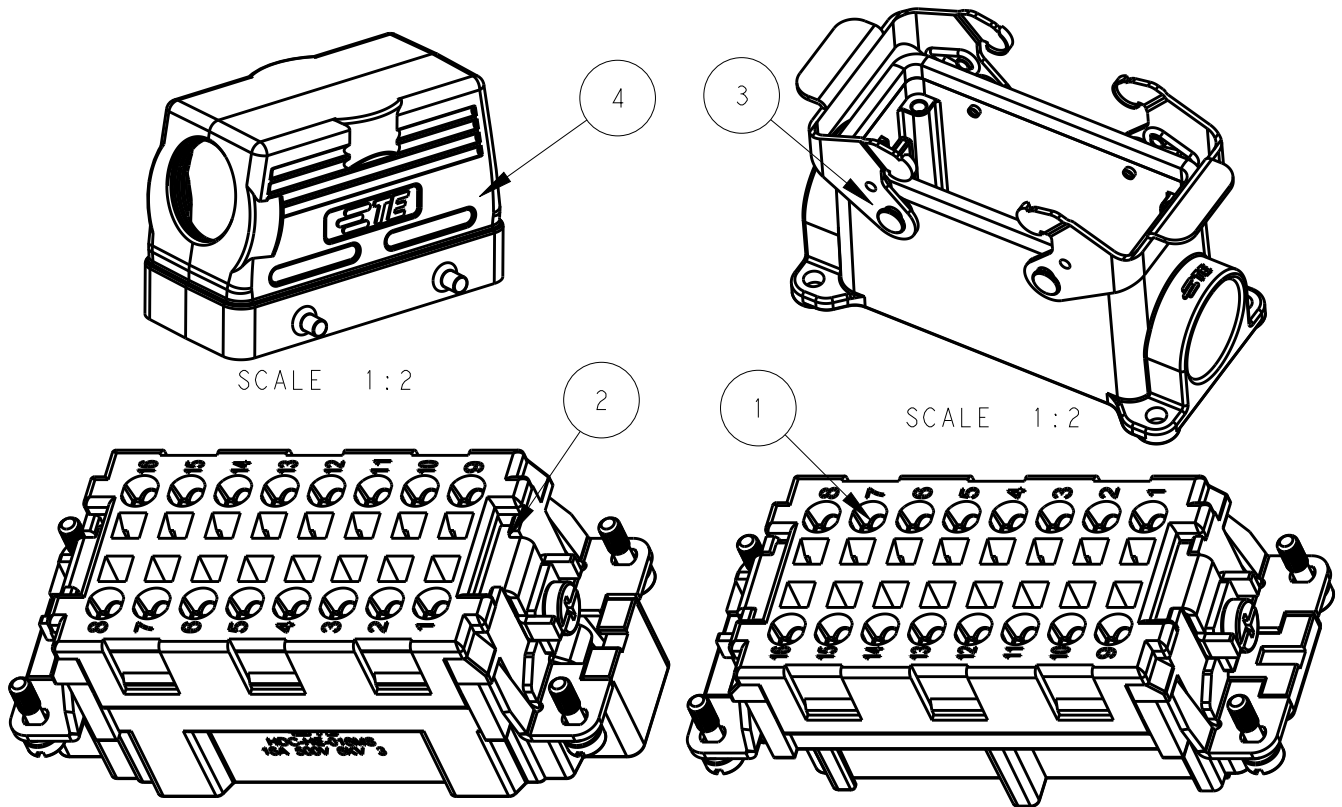


REVISIONS					
P	LTR	DESCRIPTION	DATE	DWN	APVD
	A	INITIAL RELEASE	02SEP2015	DL	CW


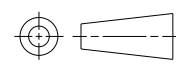
NOTES:

- 1 SET OF PRODUCT (K0000000013-000) CONTAIN:
 1 PC ITEM No.1 (T2040163201-000) AND 1PC ITEM No.2 (T2040163101-000) ARE IN ONE BAG WITH ASSEMBLY STAGE;
 1 PC ITEM No.3 (T1440162121-000) IN ONE BAG;
 1 PC ITEM No.4 (T1210160121-000) IN ONE BAG;
- 1 SET OF PRODUCT (K0000000013-000) IS PUT IN ONE INNER-BOX;
 20 INNER-BOXS IN ONE CARTON.



ITEM No.	PART NUMBER	PART DESCRIPTION	PART TYPE	Q'TY
K0000000013-000				
4	T1210160121-000	HOOD	H16B-TS-PG21	1
3	T1440162121-000	HOUSING	H16B-SGR-PG21	1
2	T2040163101-000	MALE INSERT	HE-016-MS	1
1	T2040163201-000	FEMALE INSERT	HE-016-FS	1

20
 RELEASED FOR PUBLICATION
 ALL RIGHTS RESERVED.
 BY -
 THIS DRAWING IS UNPUBLISHED.
 COPYRIGHT 20

DIMENSIONS: mm		DWN DAVID LI 02SEP2015	MATERIAL TBD	FINISH -
TOLERANCES UNLESS OTHERWISE SPECIFIED:		CHK CHRIS WANG 02SEP2015	 TE Connectivity	
0 PLC ±-		APVD XU XIANG 02SEP2015		
1 PLC ±-		PRODUCT SPEC	NAME HDC-HE-016.2-MS KITS	
2 PLC ±-		APPLICATION SPEC	SIZE A4	CAGE CODE -
3 PLC ±-			DRAWING NO C-K0000000013000	RESTRICTED TO -
4 PLC ±-				
ANGLES ±-		WEIGHT -		
		CUSTOMER DRAWING	SCALE 1:1	SHEET 1 OF 1
				REV A