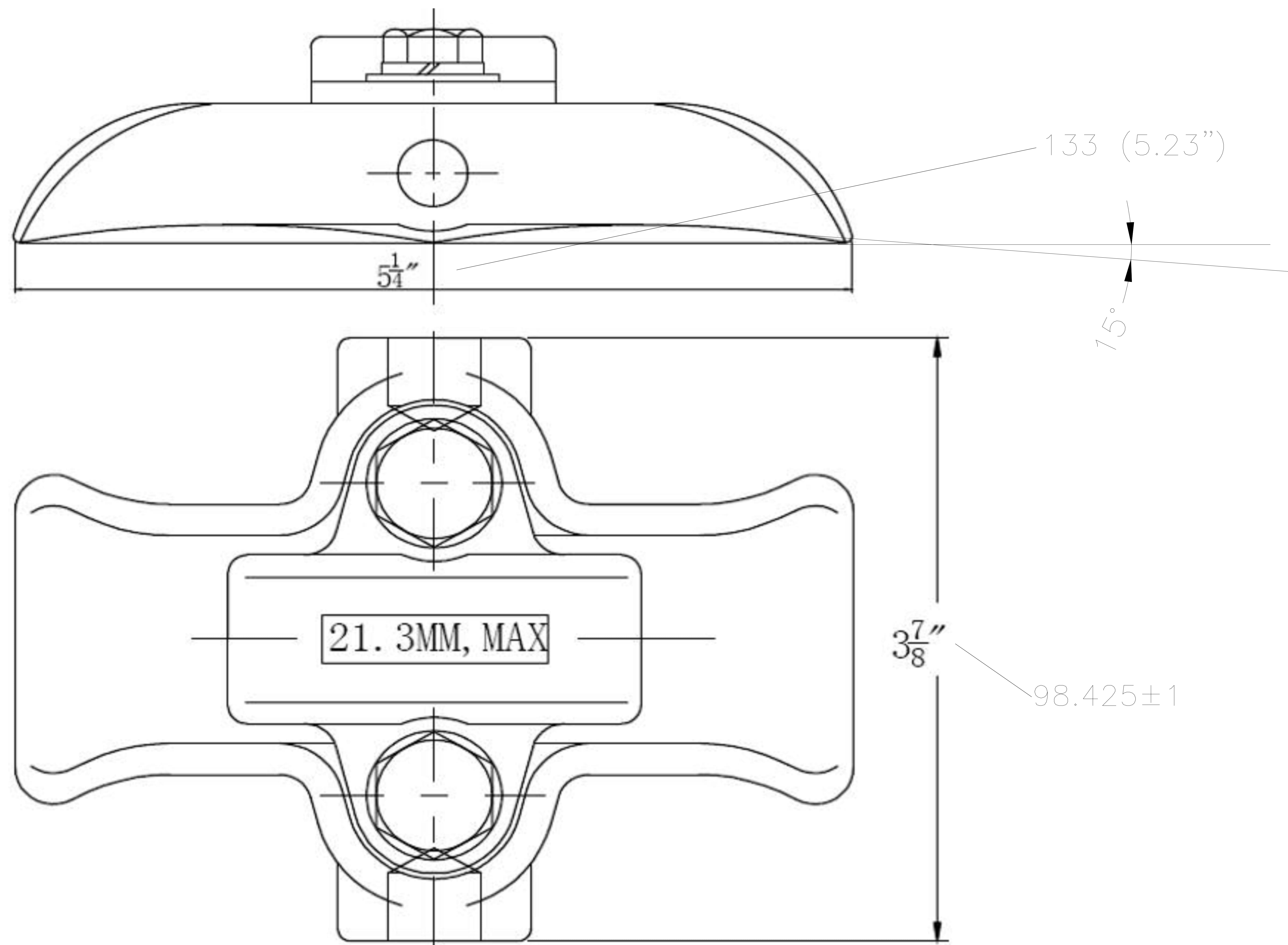


REVISIONS

P	LTR	DESCRIPTION	DATE	DWN	APVD
B		DIMENSIONS UPDATED AS PER NEW SUPPLIER DRAWING	03AUG2023	AS	KP

Notes:

1. Dimension in mm(Inches)
2. MATERIAL:- Ferrous
3. Conductor Size (mm)(Inches):-
 $\phi 8.9\text{mm}(\phi 0.35\text{Inches})(\text{MIN})$
 $\phi 21.3\text{mm}(\phi 0.84\text{Inches})(\text{MAX})$
4. Packed Weight (Kg):- 1.4
5. Rated strength :- 12kN



THIS DRAWING IS A CONTROLLED DOCUMENT.		DWN A.SABARAD 17AUG2022			
		CHK K.PUSTHAY 17AUG2022			
		APVD K.PUSTHAY 17AUG2022	NAME		
DIMENSIONS: mm/Inches		TOLERANCES UNLESS OTHERWISE SPECIFIED:		INSULATOR CLAMP TOP CLAMP FOR ALUM AND COPPER CONDS 186518-000	
		0 PLC ± -		SIZE	
		1 PLC ± -		CAGE CODE	
		2 PLC ± -		DRAWING NO	
		3 PLC ± -		RESTRICTED TO	
		4 PLC ± -		A300779 C=INS2049	
		ANGLES ± -		SCALE	
MATERIAL		FINISH		SHEET	
-		-		1 OF 1	
				REV	
				B	
				CUSTOMER DRAWING	
				NTS	