

THIS DRAWING IS UNPUBLISHED.

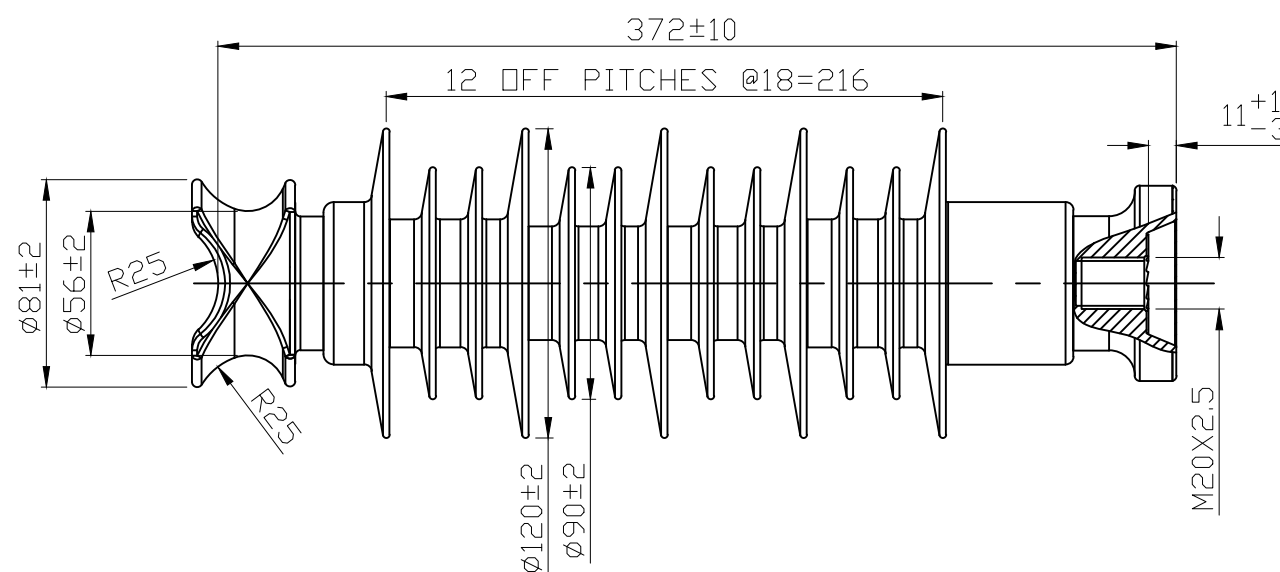
RELEASED FOR PUBLICATION

ALL RIGHTS RESERVED.

© COPYRIGHT - TE Connectivity Ltd.

REVISIONS

P	LTR	DESCRIPTION	DATE	DWN	APVD
	A	ORIGINAL ISSUE	02/20	GR	KP

PHYSICAL PROPERTIES:

- | | | |
|--------------------------------|---|--------|
| 1. MINIMUM CREEPAGE DISTANCE | : | 915 mm |
| 2. NOMINAL DRY ARCING DISTANCE | : | 315 mm |

ELECTRICAL PROPERTIES:

- | | | |
|--|---|--------|
| 1. DRY AC WITHSTAND VOLTAGE | : | 115 kV |
| 2. WET AC WITHSTAND VOLTAGE | : | 95 kV |
| 3. DRY AC FLASHOVER VOLTAGE | : | 125 kV |
| 4. WET AC FLASHOVER VOLTAGE | : | 110 kV |
| 5. LIGHTNING IMPULSE WITHSTAND VOLTAGE | : | 205 kV |
| 6. LIGHTNING IMPULSE FLASHOVER VOLTAGE | : | 220 kV |

MECHANICAL PROPERTIES:

- | | | |
|------------------------------------|---|---------|
| 1. SPECIFIED CANTILEVER LOAD (SCL) | : | 12.5 kN |
| 2. SPECIFIED TENSILE LOAD (STL) | : | 25 kN |

MATERIALS:

- | | | |
|-----------------|---|-----------------------------------|
| 1. CORE | : | ECR FIBERGLASS REINFORCED POLYMER |
| 2. HOUSING | : | SILICONE RUBBER |
| 3. END FITTINGS | : | HOT DIP GALVANIZED STEEL |
| 4. STANDARDS | : | IEC 62217 & IEC 61952 |


PRODUCT MARKINGS:

- TE LOGO
- SCL 12.5kN
- YEAR & MONTH
- BATCH NO #

NOTES:

UNSPECIFIED TOLERANCE

- $\pm(0.04 \times d + 1.5)$ mm WHEN $d \leq 300$ mm
- $\pm(0.025 \times d + 6)$ mm WHEN $d > 300$ mm
WITH MAX. TOLERANCE OF ± 50 mm

THIS DRAWING IS A CONTROLLED DOCUMENT.		DWN	10/02/2020	 TE Connectivity	
		CHK	10/02/2020		
		APVD	10/02/2020	NAME	
		PRODUCT SPEC		CLP-12.5-CM20-205-0915-0-02	
		APPLICATION SPEC		EP4111-000	
		WEIGHT	Approx 3.7 Kg	SIZE	A3
		CUSTOMER DRAWING		CAGE CODE	00779
				DRAWING NO	C-INS1701
				RESTRICTED TO	-
				SCALE	1:1
				SHEET	1 OF 1
				REV	A