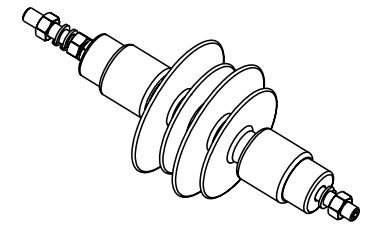
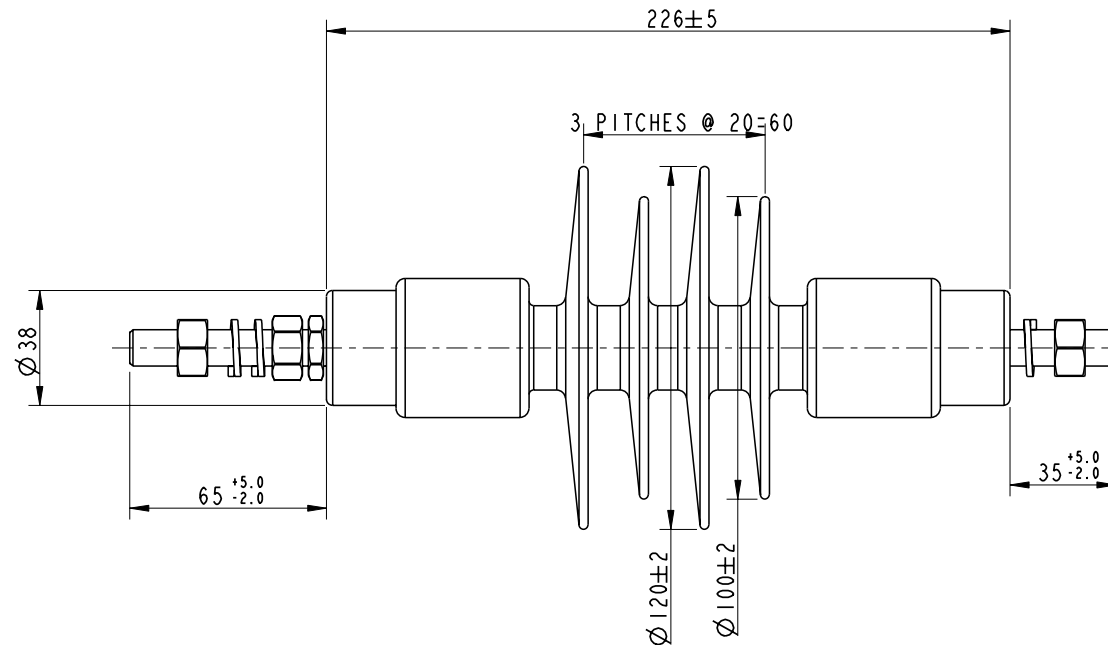
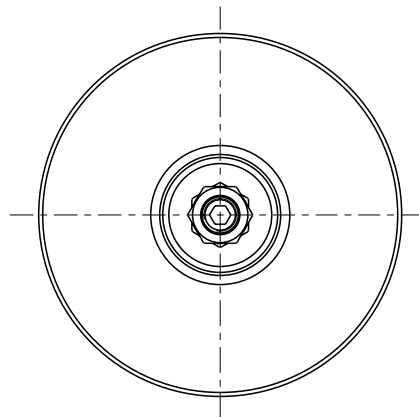


SCD



M12 STAINLESS STEEL
END FITTINGS (A4)

MARKING ON END FITTINGS:
1. INSI098
2. SML 25kN
3. CRIMP LOT No.: YY/WW

MARKING ON MOULDED HOUSING:
1. DATE DIALS
2. SML 25kN
3. Raychem/TE
SEE INSI091 FOR HOUSING DRAWING

ELECTRICAL PROPERTIES

DRY AC FLASHOVER : 95kV
WET AC FLASHOVER : 63kV
DRY AC WITHSTAND : 85kV
WET AC WITHSTAND : 52kV
IMPULSE WITHSTAND VOLTAGE : 159kV
VALUES ARE ESTIMATIONS AND ARE
SUBJECT TO CONFIRMATION

MECHANICAL PROPERTIES

SCL : 3.5 Nm
MDCL: 1.75 kN
STL : 25 kN

PHYSICAL PROPERTIES

NOMINAL CREEPAGE : 497MM
NOMINAL DRY ARC : 205MM
END FITTING DESIGN :

MATERIAL

END FITTING : STAINLESS STEEL
HOUSING : RAYCHEM HV RED (EVA)
CORE : RBGF

0	04/09	HMF	ORIGINAL ISSUE	
1	04/10	HMF	STUD CHANGE	
2	06/10	HMF	GALV NOTE DELETED	
REV	DATE	SIGN	MODIFICATION	APP



Raychem Insulator

BAY 105
SHANNON IND. EST.
SHANNON
CO. CLARE
IRELAND

THIS DRAWING AND THE INFORMATION SET FORTH HEREIN ARE THE PROPERTY OF TYCO ELECTRONICS AND ARE TO BE HELD IN TRUST AND CONFIDENCE. PUBLICATION, DUPLICATION, DISCLOSURE OR USE FOR ANY OTHER PURPOSE NOT EXPRESSLY AUTHORISED IN WRITING BY TYCO ELECTRONICS IS PROHIBITED.

THIS DRAWING, INCLUDING ITS MEASUREMENTS AND OTHER TECHNICAL DETAIL, HAVE BEEN PREPARED BY TYCO ELECTRONICS ON THE BASIS OF THEN CURRENT PRODUCT DEVELOPMENT OR TECHNICAL DISCUSSIONS, AND FOR DISCUSSION PURPOSES ONLY. ALL TECHNICAL DETAIL AND MEASUREMENTS ARE SUBJECT TO CHANGE, AND TYCO ELECTRONICS DOSE NOT PROVIDE ANY WARRANTY FOR ANY ASPECT OF IT AND WILL NOT BE LIABLE FOR ITS USE.

DRN	HMF	04/09		TITLE EPBI-19R-PPS-25kN-M01 SALES DRAWING	
CHECK	PK	04/09			
APP	MB	04/09			
PCN	CR2034-000	DRG NO	INSI098		SHEET1 OF 2