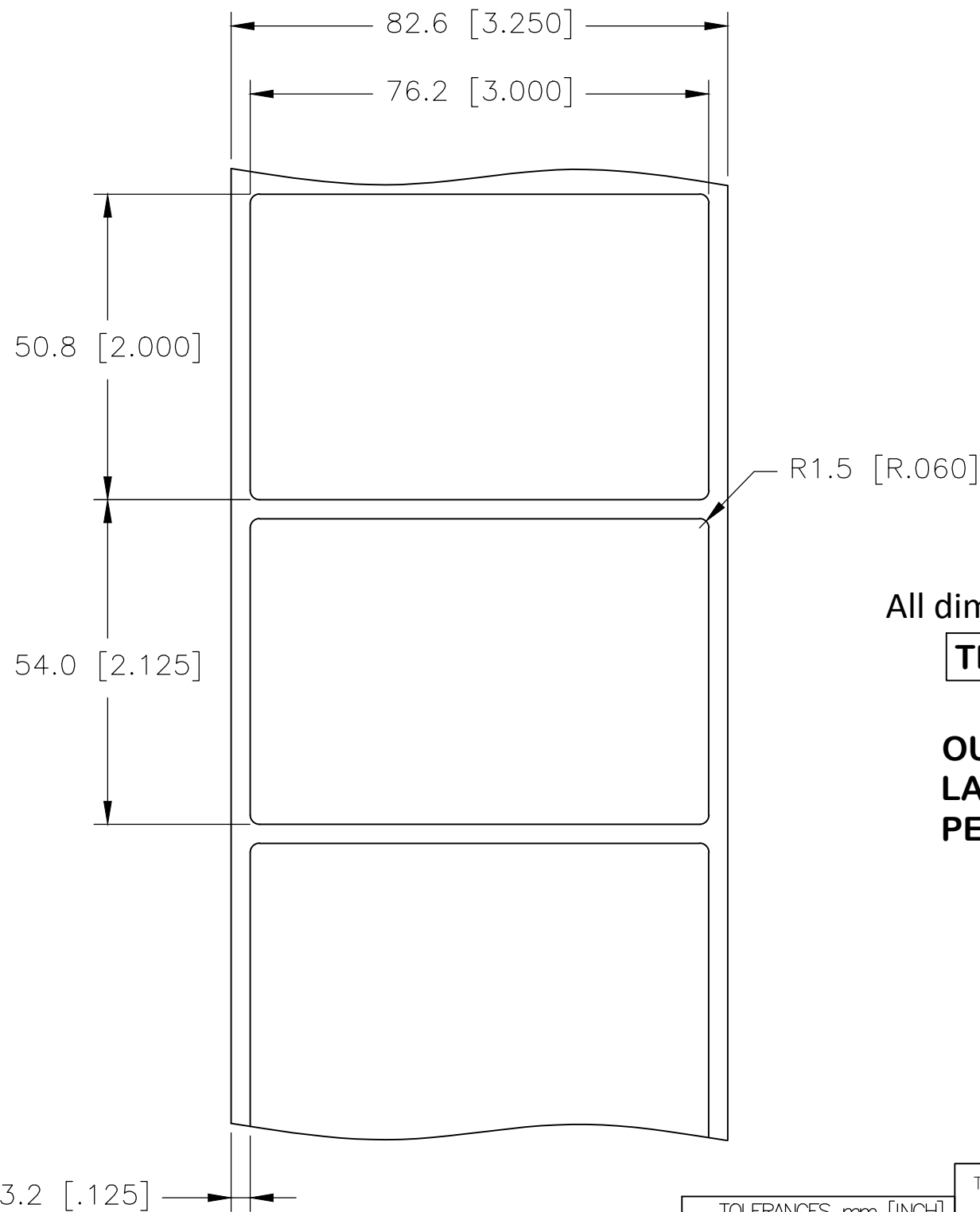
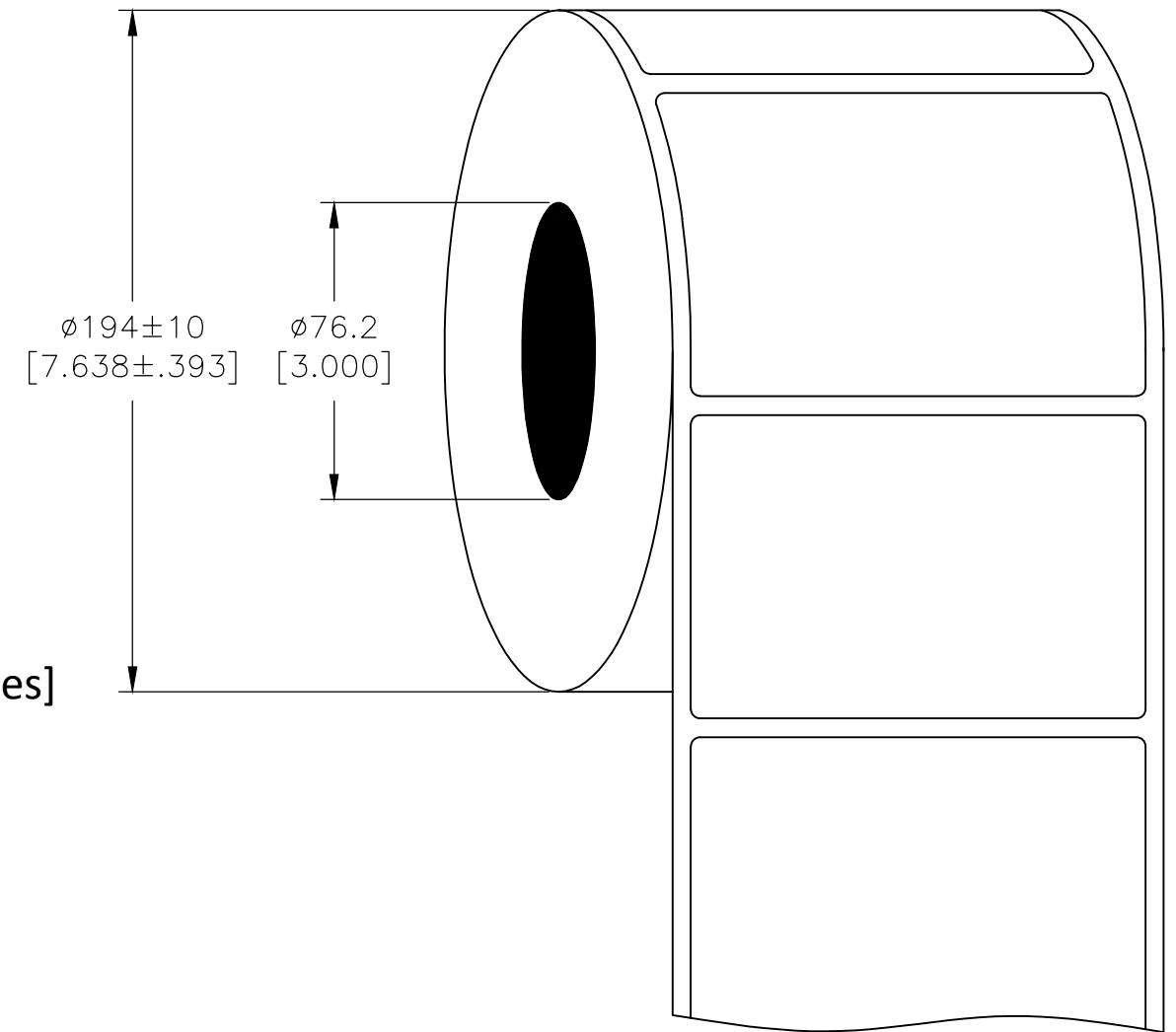


P	LTR	DESCRIPTION	DATE	DWN	APVD
	B	REVISED PER ECR-20-013339	20OCT2020	GK	MN

LABEL AND LINER DESIGN



PRESENTATION



All dimensions in mm [Inches]

TE PN: C58122-000

**OUTSIDE WOUND
LABEL ACROSS: 1
PER ROLL QTY: 2500**

MATERIAL	HIGH TACK WHITE POLYESTER
ADHESIVE TYPE	PERMANENT ACRYLIC
LINER	GLASSINE PAPER

THIS DRAWING IS A CONTROLLED DOCUMENT.

TOLERANCES mm [INCH]	
LABEL HEIGHT:	± 0.3 [.012]
LABEL WIDTH:	± 0.3 [.012]
WEB WIDTH:	± 0.8 [.031]
VERTICAL REPEAT:	± 0.8 [.031]*
HORIZONTAL REPEAT:	± 0.8 [.031]*
PRINT POSITIONING:	± 0.8 [.031]*
LEFT MARGIN:	± 0.4 [.016]
QUANTITY:	-0 % +2 %
*NON ACCUMULATING	

DIMENSIONS:	TOLERANCES UNLESS OTHERWISE SPECIFIED:
mm [INCHES]	
	0 PLC $\pm -$
	1 PLC $\pm -$
	2 PLC $\pm -$
	3 PLC $\pm -$
	4 PLC $\pm -$
ANGLES	$\pm -$
FINISH	-

DWN	20OCT2020	TE Connectivity	NAME		HW - HIGH TACK WHITE POLYESTER LABELS		
CHK	20OCT2020		SIZE			A3 C2290	
APVD	20OCT2020		CAGE CODE				C-HW-762508-2.5-9
PRODUCT SPEC			DRAWING NO				
APPLICATION SPEC		RESTRICTED TO		-			
WEIGHT	0.454g	SCALE			NTS		
CUSTOMER DRAWING		SHEET				1 OF 1	
		REV					B