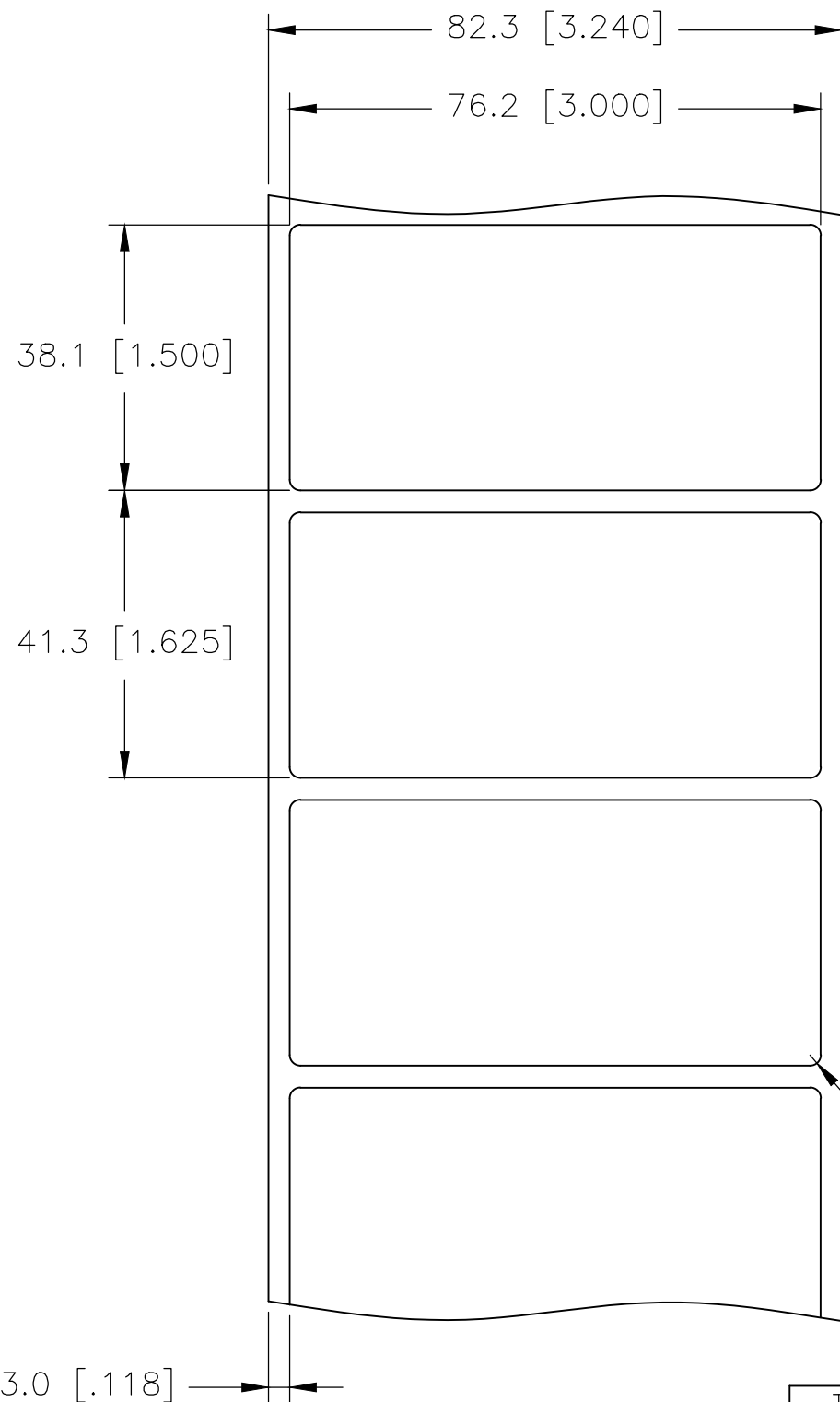
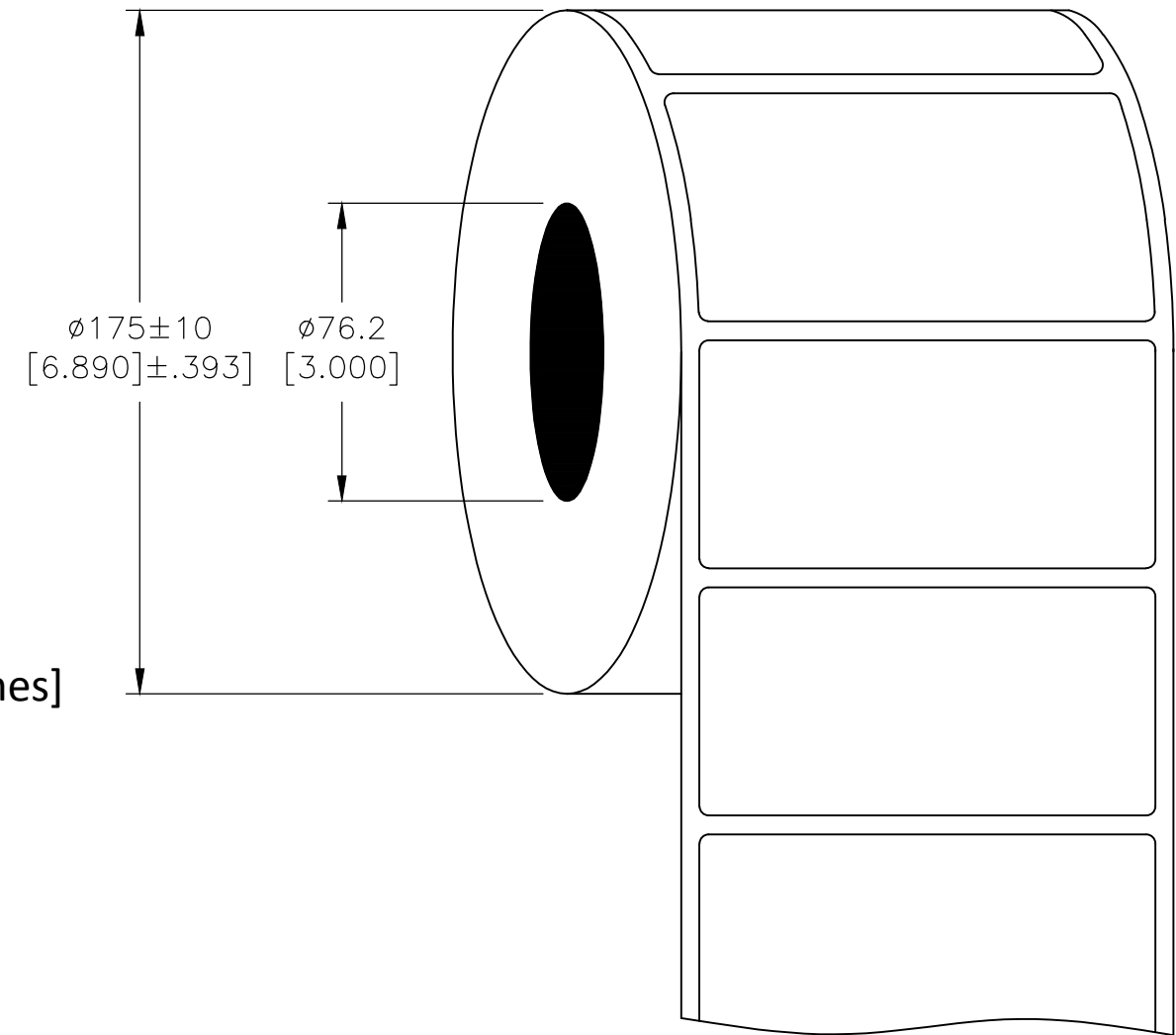


P	LTR	DESCRIPTION	DATE	DWN	APVD
	B	REVISED PER ECR-20-013339	20OCT2020	GK	MN

**LABEL AND LINER DESIGN**



**PRESENTATION**



All dimensions in mm [Inches]

**TE PN: C17270-000**

**OUTSIDE WOUND  
LABEL ACROSS: 1  
PER ROLL QTY: 2500**

R1.5 [R.060]

<b>MATERIAL</b>	<b>HIGH TACK WHITE POLYESTER</b>
<b>ADHESIVE TYPE</b>	<b>PERMANENT ACRYLIC</b>
<b>LINER</b>	<b>GLASSINE PAPER</b>

THIS DRAWING IS A CONTROLLED DOCUMENT.

TOLERANCES mm [INCH]	
LABEL HEIGHT:	±0.3 [.012]
LABEL WIDTH:	±0.3 [.012]
WEB WIDTH:	±0.8 [.031]
VERTICAL REPEAT:	±0.8 [.031]*
HORIZONTAL REPEAT:	±0.8 [.031]*
PRINT POSITIONING:	±0.8 [.031]*
LEFT MARGIN:	±0.4 [.016]
QUANTITY:	-0 % +2 %
*NON ACCUMULATING	

DIMENSIONS:	TOLERANCES UNLESS OTHERWISE SPECIFIED:
mm [INCHES]	
	0 PLC ± -
	1 PLC ± -
	2 PLC ± -
	3 PLC ± -
	4 PLC ± -
ANGLES	± -
FINISH	-

DWN	20OCT2020	TE Connectivity			
CHK	20OCT2020				
APVD	20OCT2020				
NAME	MIKE NUTTALL				
PRODUCT SPEC	TTDS-076	HW - HIGH TACK WHITE POLYESTER LABELS			
APPLICATION SPEC	-	SIZE	CAGE CODE	DRAWING NO	RESTRICTED TO
WEIGHT	0.340g	A3	C2290	C-HW-762381-2.5-9	-
CUSTOMER DRAWING		SCALE	SHEET	REV	
		NTS	1 OF 1	B	