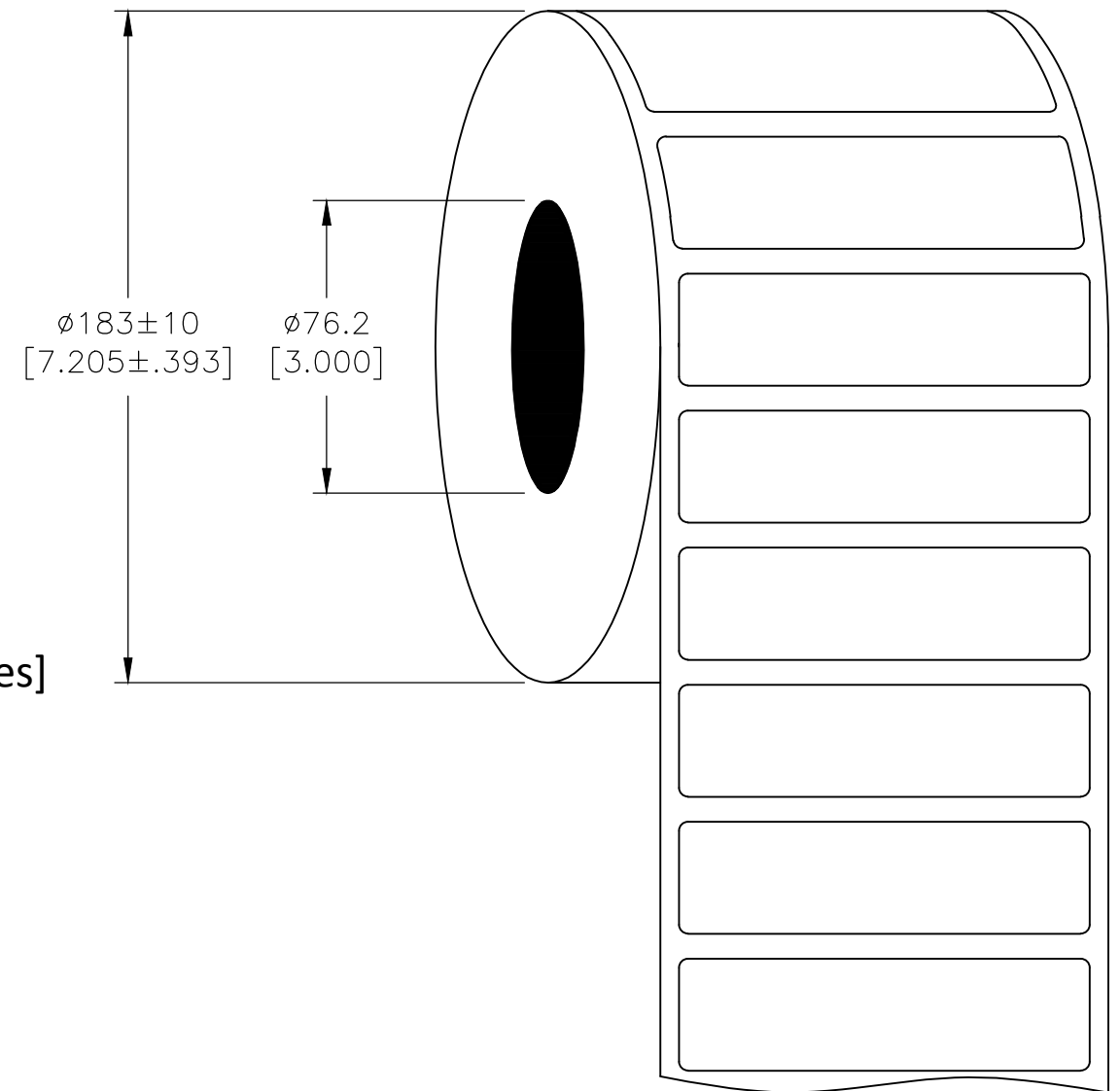
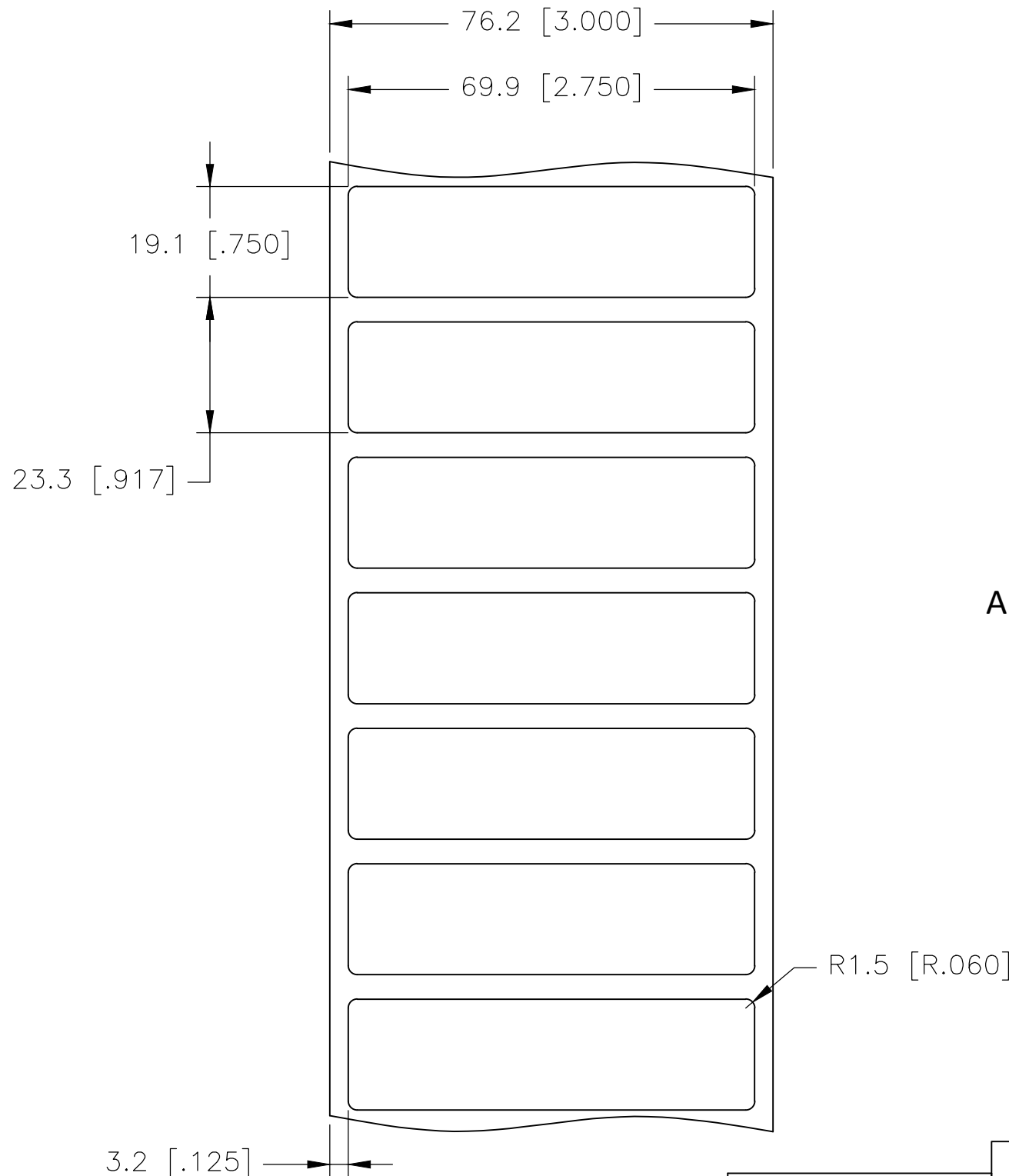


P	LTR	DESCRIPTION	DATE	DWN	APVD
	E	INITIAL RELEASE	20OCT2020	GK	MN

LABEL AND LINER DESIGN

PRESENTATION



All dimensions in mm [Inches]

TE PN: E88398-000

**OUTSIDE WOUND
LABEL ACROSS: 1
PER ROLL QTY: 5000**

MATERIAL	HIGH TACK WHITE POLYESTER
ADHESIVE TYPE	PERMANENT ACRYLIC
LINER	GLASSINE PAPER

DWN 20OCT2020 GOPALAKRISHNA HV		STE TE Connectivity	
CHK 20OCT2020 MIKE NUTTALL			
APVD 20OCT2020 MIKE NUTTALL		NAME HW - HIGH TACK WHITE POLYESTER LABELS	
PRODUCT SPEC TTDS-076		-	
APPLICATION SPEC -		-	
SIZE	CAGE CODE	DRAWING NO	RESTRICTED TO
A3	C2290	C-HW-699191-5-9	-
WEIGHT 0.157g		SCALE NTS	SHEET 1 OF 1
CUSTOMER DRAWING		REV E	

TOLERANCES mm [INCH]	
LABEL HEIGHT:	± 0.3 [.012]
LABEL WIDTH:	± 0.3 [.012]
WEB WIDTH:	± 0.8 [.031]
VERTICAL REPEAT:	± 0.8 [.031]*
HORIZONTAL REPEAT:	± 0.8 [.031]*
PRINT POSITIONING:	± 0.8 [.031]*
LEFT MARGIN:	± 0.4 [.016]
QUANTITY:	-0 % +2 %
*NON ACCUMULATING	

THIS DRAWING IS A CONTROLLED DOCUMENT.	
DIMENSIONS: mm [INCHES]	TOLERANCES UNLESS OTHERWISE SPECIFIED:
	0 PLC \pm -
	1 PLC \pm -
	2 PLC \pm -
	3 PLC \pm -
	4 PLC \pm -
ANGLES	\pm -
MATERIAL SEE TABLE	FINISH -