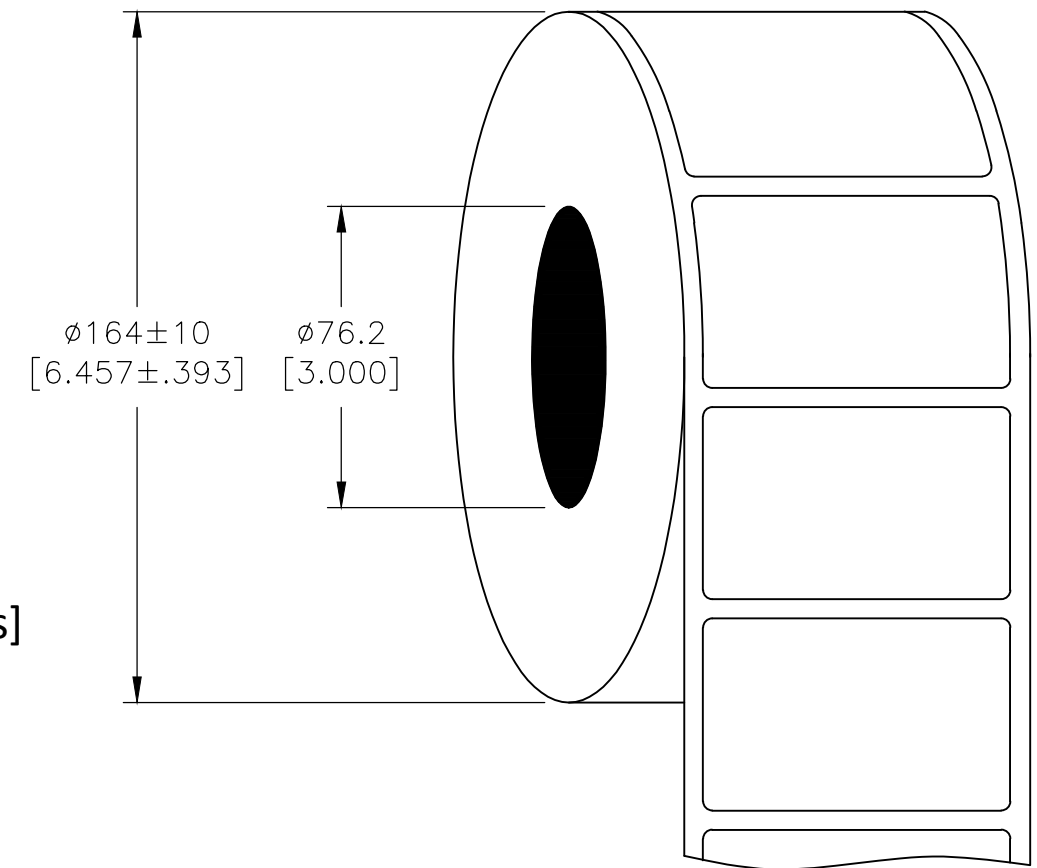
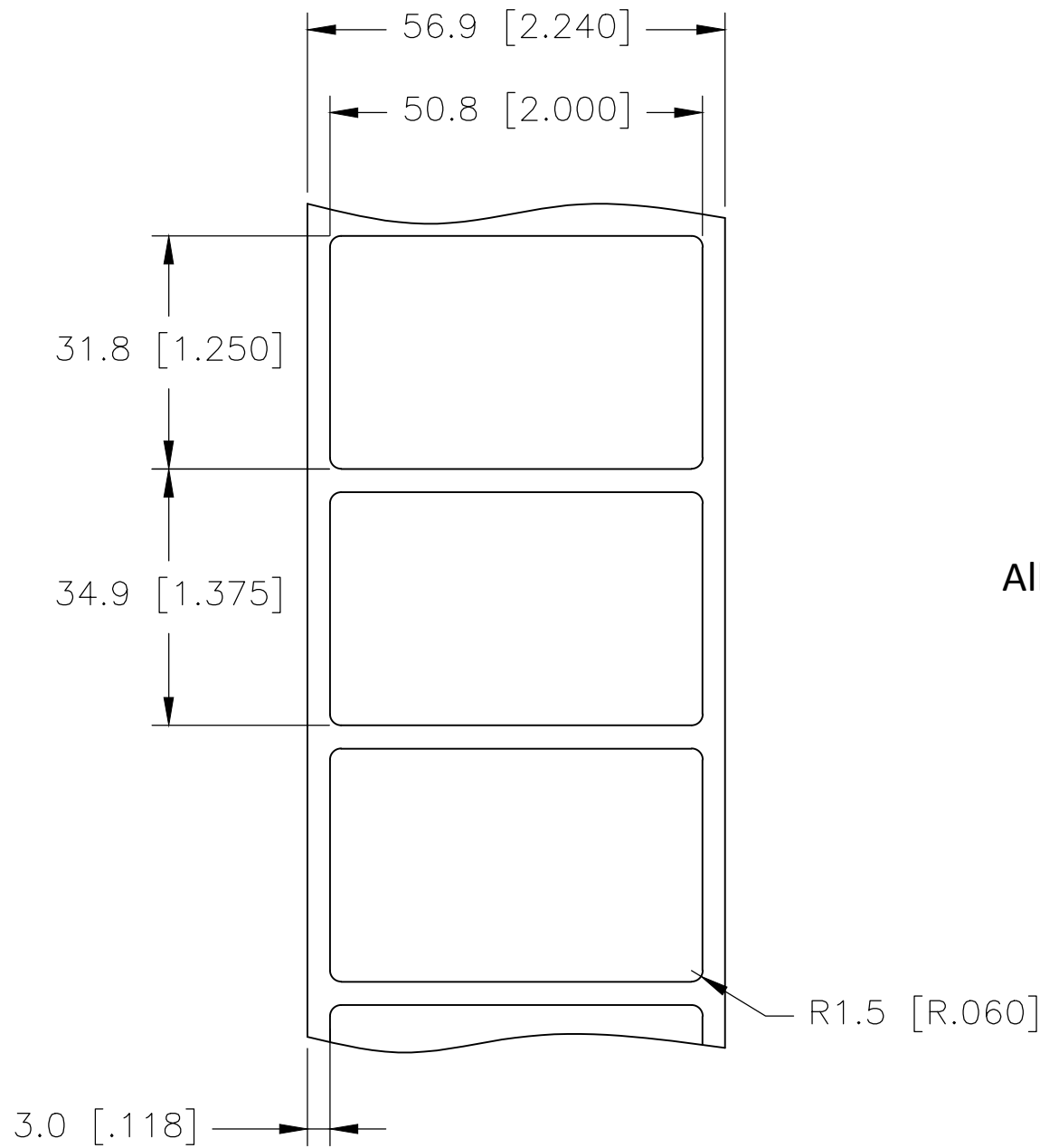


P	LTR	DESCRIPTION	DATE	DWN	APVD
	E	INITIAL RELEASE	20OCT2020	GK	MN

LABEL AND LINER DESIGN

PRESENTATION



All dimensions in mm [Inches]

TE PN: D67337-000

**OUTSIDE WOUND
LABEL ACROSS: 1
PER ROLL QTY: 2500**

MATERIAL	HIGH TACK WHITE POLYESTER
ADHESIVE TYPE	PERMANENT ACRYLIC
LINER	GLASSINE PAPER

TOLERANCES mm [INCH]	
LABEL HEIGHT:	±0.3 [.012]
LABEL WIDTH:	±0.3 [.012]
WEB WIDTH:	±0.8 [.031]
VERTICAL REPEAT:	±0.8 [.031]*
HORIZONTAL REPEAT:	±0.8 [.031]*
PRINT POSITIONING:	±0.8 [.031]*
LEFT MARGIN:	±0.4 [.016]
QUANTITY:	-0 % +2 %
*NON ACCUMULATING	

THIS DRAWING IS A CONTROLLED DOCUMENT.

DIMENSIONS: mm [INCHES]	TOLERANCES UNLESS OTHERWISE SPECIFIED:
	0 PLC ± -
	1 PLC ± -
	2 PLC ± -
	3 PLC ± -
	4 PLC ± -
ANGLES ± -	FINISH -
MATERIAL SEE TABLE	

DWN	20OCT2020	GOPALAKRISHNA HV
CHK	20OCT2020	MIKE NUTTALL
APVD	20OCT2020	MIKE NUTTALL
PRODUCT SPEC	TTDS-076	
APPLICATION SPEC	-	
WEIGHT	0.189g	
CUSTOMER DRAWING		

		TE Connectivity	
NAME HW - HIGH TACK WHITE POLYESTER LABELS			
SIZE	CAGE CODE	DRAWING NO	RESTRICTED TO
A3	C2290	C-HW-508318-2.5-9	-
SCALE NTS		SHEET 1 OF 1	REV E