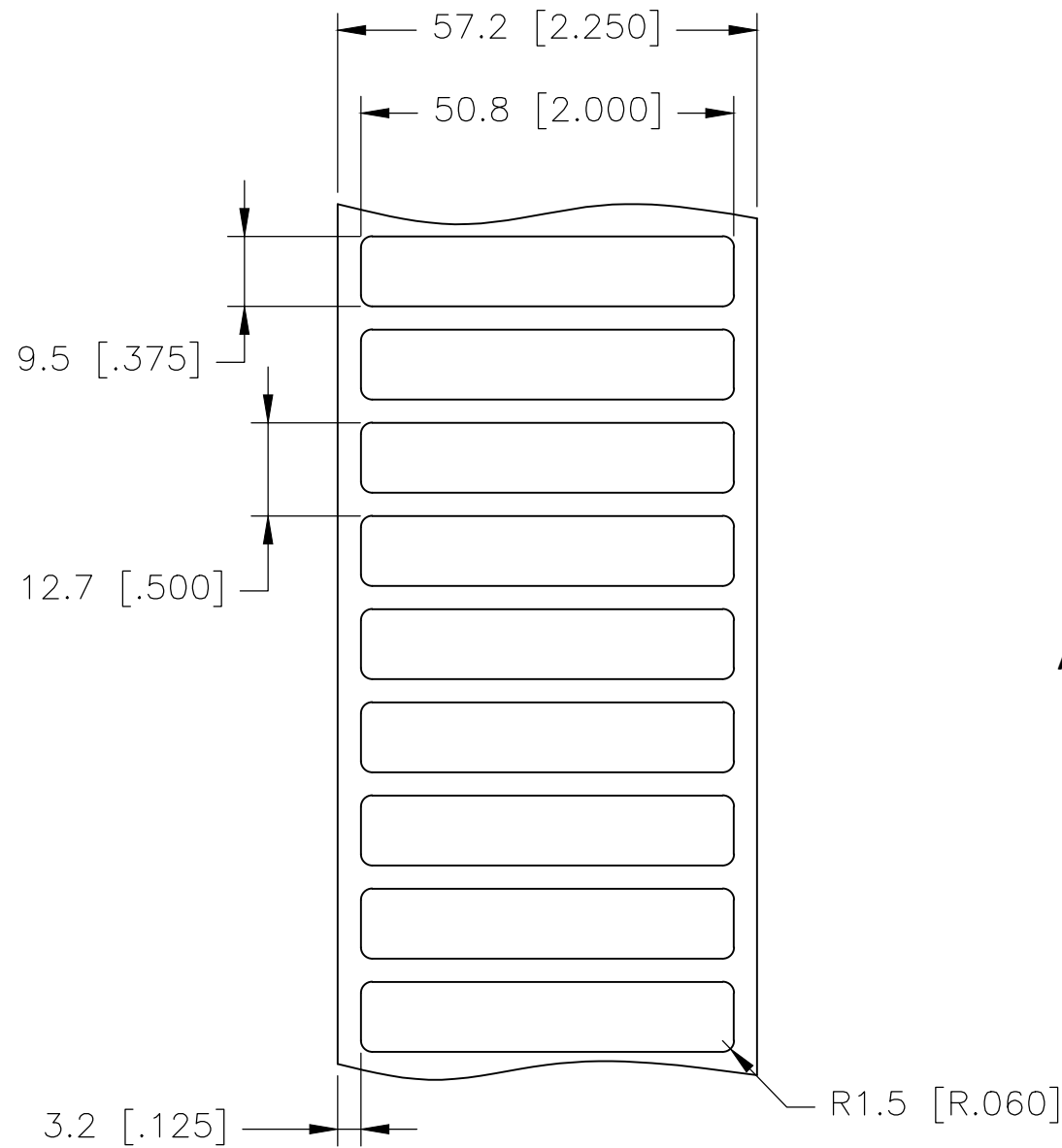
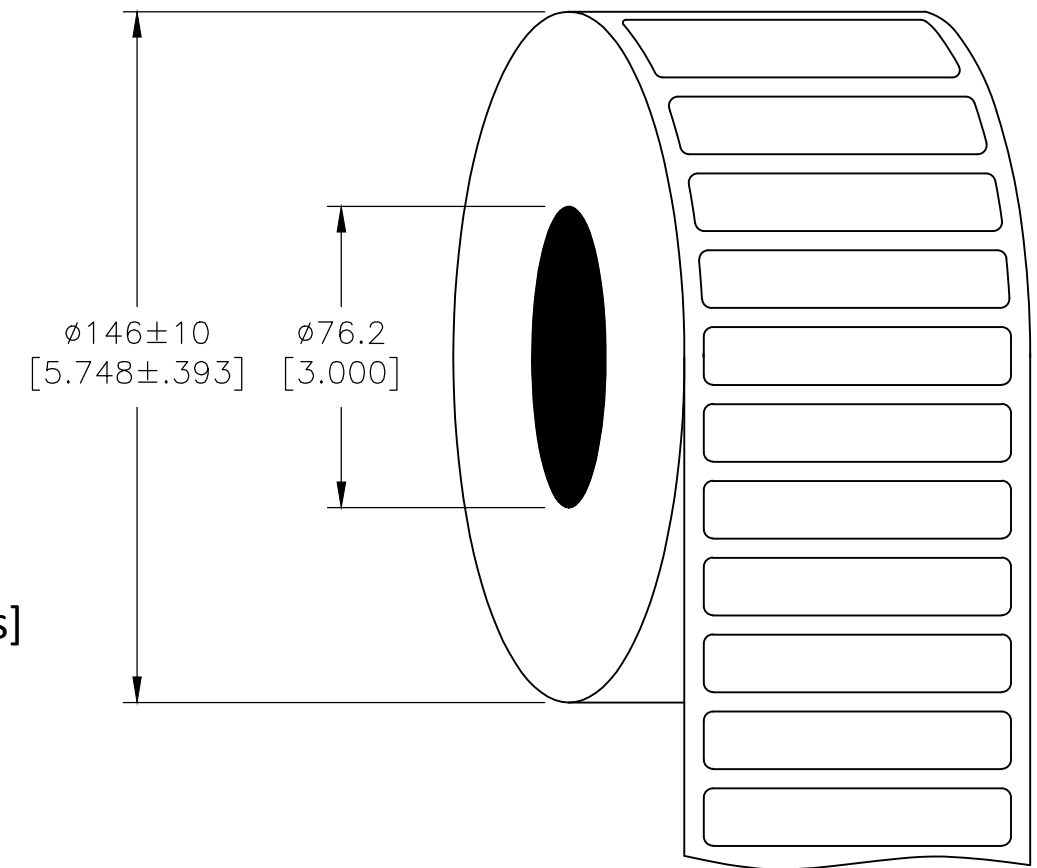


P	LTR	DESCRIPTION	DATE	DWN	APVD
	B	REVISED PER ECR-20-013339	20OCT2020	GK	MN

**LABEL AND LINER DESIGN**



**PRESENTATION**



All dimensions in mm [Inches]

**TE PN: E87437-000**

**OUTSIDE WOUND  
LABEL ACROSS: 1  
PER ROLL QTY: 5000**

<b>MATERIAL</b>	<b>HIGH TACK WHITE POLYESTER</b>
<b>ADHESIVE TYPE</b>	<b>PERMANENT ACRYLIC</b>
<b>LINER</b>	<b>GLASSINE PAPER</b>

TOLERANCES mm [INCH]	
LABEL HEIGHT:	$\pm 0.3$ [.012]
LABEL WIDTH:	$\pm 0.3$ [.012]
WEB WIDTH:	$\pm 0.8$ [.031]
VERTICAL REPEAT:	$\pm 0.8$ [.031]*
HORIZONTAL REPEAT:	$\pm 0.8$ [.031]*
PRINT POSITIONING:	$\pm 0.8$ [.031]*
LEFT MARGIN:	$\pm 0.4$ [.016]
QUANTITY:	-0 % +2 %
*NON ACCUMULATING	

THIS DRAWING IS A CONTROLLED DOCUMENT.	
DIMENSIONS: mm [INCHES]	TOLERANCES UNLESS OTHERWISE SPECIFIED:
	0 PLC $\pm -$
	1 PLC $\pm -$
	2 PLC $\pm -$
	3 PLC $\pm -$
	4 PLC $\pm -$
ANGLES $\pm -$	FINISH $\pm -$
MATERIAL SEE TABLE	FINISH -

DWN	20OCT2020
CHK	GOPALAKRISHNA HV
APVD	20OCT2020
NAME	MIKE NUTTALL
PRODUCT SPEC	MIKE NUTTALL
APPLICATION SPEC	TTDS-076
WEIGHT	0.057g

		TE Connectivity	
		NAME HW - HIGH TACK WHITE POLYESTER LABELS	
SIZE	CAGE CODE	DRAWING NO	RESTRICTED TO
A3	C2290	G-HW-508095-5-9	-
CUSTOMER DRAWING		SCALE	SHEET
		NTS	1 OF 1
		REV	B