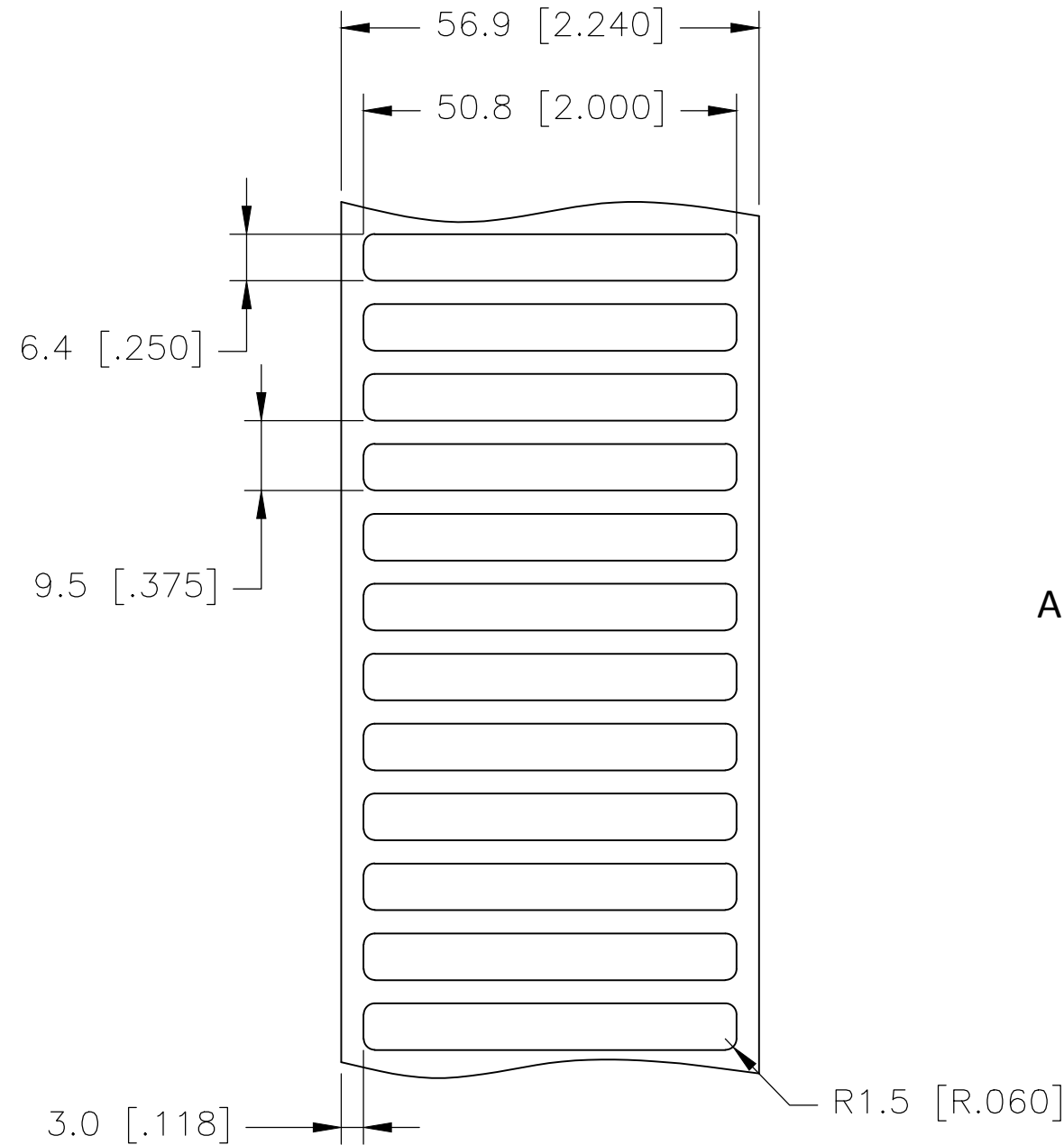
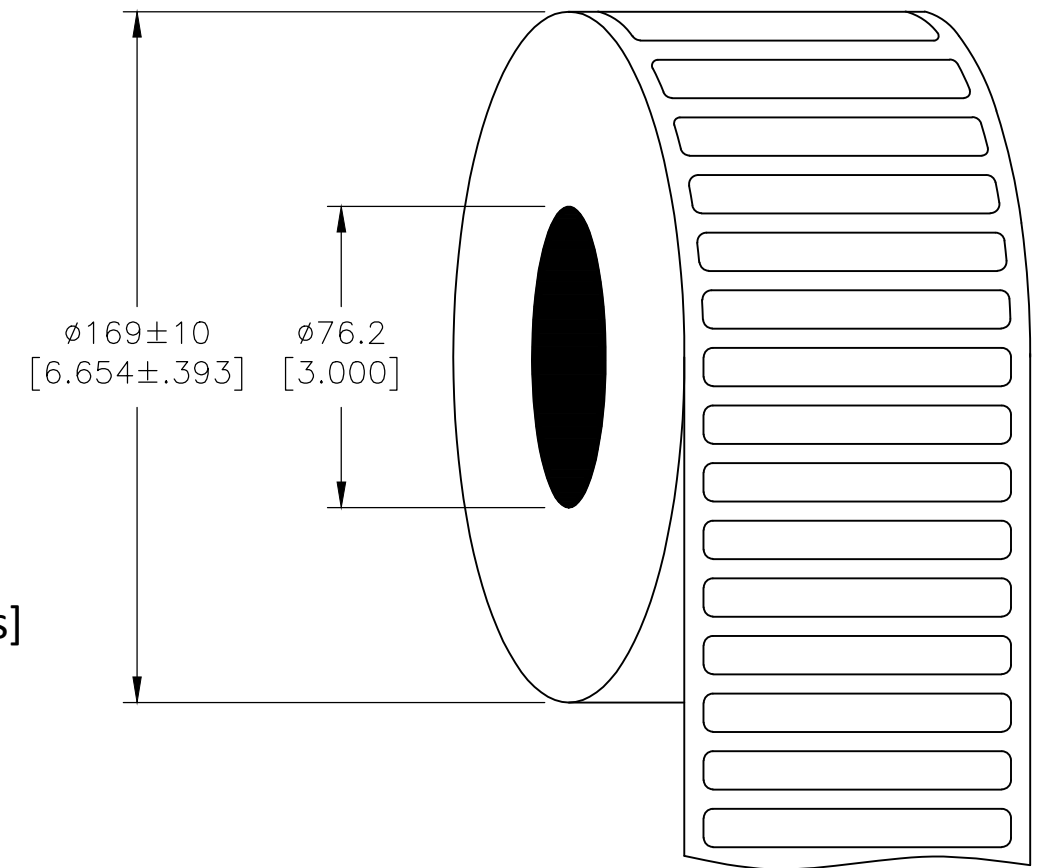


P	LTR	DESCRIPTION	DATE	DWN	APVD
	A	INITIAL RELEASE	20OCT2020	GK	MN

### LABEL AND LINER DESIGN



### PRESENTATION



All dimensions in mm [Inches]

**TE PN: F14225-000**

**OUTSIDE WOUND  
LABEL ACROSS: 1  
PER ROLL QTY: 10000**

<b>MATERIAL</b>	<b>HIGH TACK WHITE POLYESTER</b>
<b>ADHESIVE TYPE</b>	<b>PERMANENT ACRYLIC</b>
<b>LINER</b>	<b>GLASSINE PAPER</b>

TOLERANCES mm [INCH]	
LABEL HEIGHT:	±0.3 [.012]
LABEL WIDTH:	±0.3 [.012]
WEB WIDTH:	±0.8 [.031]
VERTICAL REPEAT:	±0.8 [.031]*
HORIZONTAL REPEAT:	±0.8 [.031]*
PRINT POSITIONING:	±0.8 [.031]*
LEFT MARGIN:	±0.4 [.016]
QUANTITY:	-0 % +2 %
*NON ACCUMULATING	

THIS DRAWING IS A CONTROLLED DOCUMENT.

DIMENSIONS:	TOLERANCES UNLESS OTHERWISE SPECIFIED:
mm [INCHES]	
	0 PLC ± -
	1 PLC ± -
	2 PLC ± -
	3 PLC ± -
	4 PLC ± -
	ANGLES ± -
MATERIAL	FINISH
SEE TABLE	-

DWN	20OCT2020
CHK	GOPALAKRISHNA HV
APVD	20OCT2020
MIKE NUTTALL	
MIKE NUTTALL	
PRODUCT SPEC	TTDS-076
APPLICATION SPEC	-
WEIGHT	0.038g

TE Connectivity		NAME		RESTRICTED TO
		HW - HIGH TACK WHITE POLYESTER LABELS		
SIZE	CAGE CODE	DRAWING NO	-	
A3	C2290	C=HW-508064-10-9	-	
CUSTOMER DRAWING		SCALE	SHEET	REV
		NTS	1 OF 1	A