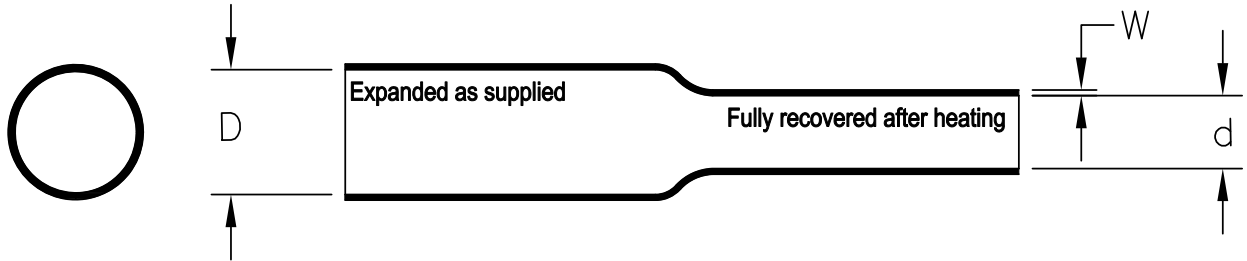


REVISIONS					
P	LTR	DESCRIPTION	DATE	DWN	APVD
	A	SUPERCEDED HRSR/HRHF/HRNF	8/13/2019	J.B.	T.L.

**SIGMAFORM  
HRHF and HRSR**



**Table 1: Dimensions mm (inches)**


Part Number	As Supplied		As Recovered			
	Inside Diameter Minimum (D)		Inside Diameter Maximum (d)		Wall Thickness Nominal (W)	
	mm	in.	mm	in.	mm	in.
HR**060	15.24	0.600	4.44	0.175	1.52	0.060
HR**125	31.75	1.250	6.70	0.265	1.52	0.060
HR**175	44.45	1.750	8.80	0.345	2.41	0.095
HR**200	50.80	2.000	10.47	0.412	2.67	0.105
HR**250	63.50	2.500	13.97	0.550	3.05	0.120
HR**300	76.20	3.000	20.00	0.788	3.05	0.120
HR**400	101.60	4.000	24.00	0.945	3.56	0.140

\*\* HF or SR

**Color:** Standard Black  
Nonstandard Clear available on request (not flame-retardant; HRHF only)

Reference Specification TEC-108-120059

THIS DRAWING IS UNPUBLISHED. ALL RIGHTS RESERVED. © COPYRIGHT 2019 TE Connectivity

DIMENSIONS: INCHES	DWN J. Bitter	07-Aug-2019	MATERIAL -	FINISH -
	CHK T. Licko	-	 TE Connectivity	
TOLERANCES UNLESS OTHERWISE SPECIFIED:  0 PLC ± - 1 PLC ± - 2 PLC ± - 3 PLC ± - 4 PLC ± - ANGLES ± -	APVD T. Licko	-		
	PRODUCT SPEC 108-120059	-	SIZE A4	CAGE CODE 06090
	APPLICATION SPEC -	-	DRAWING NO C=HRHF/HRSR	RESTRICTED TO -
	WEIGHT 0	-	SCALE 1:1	
CUSTOMER DRAWING			SHEET 1 OF 1	REV A