

4

3

2

1

THIS DRAWING IS UNPUBLISHED.

RELEASED FOR PUBLICATION

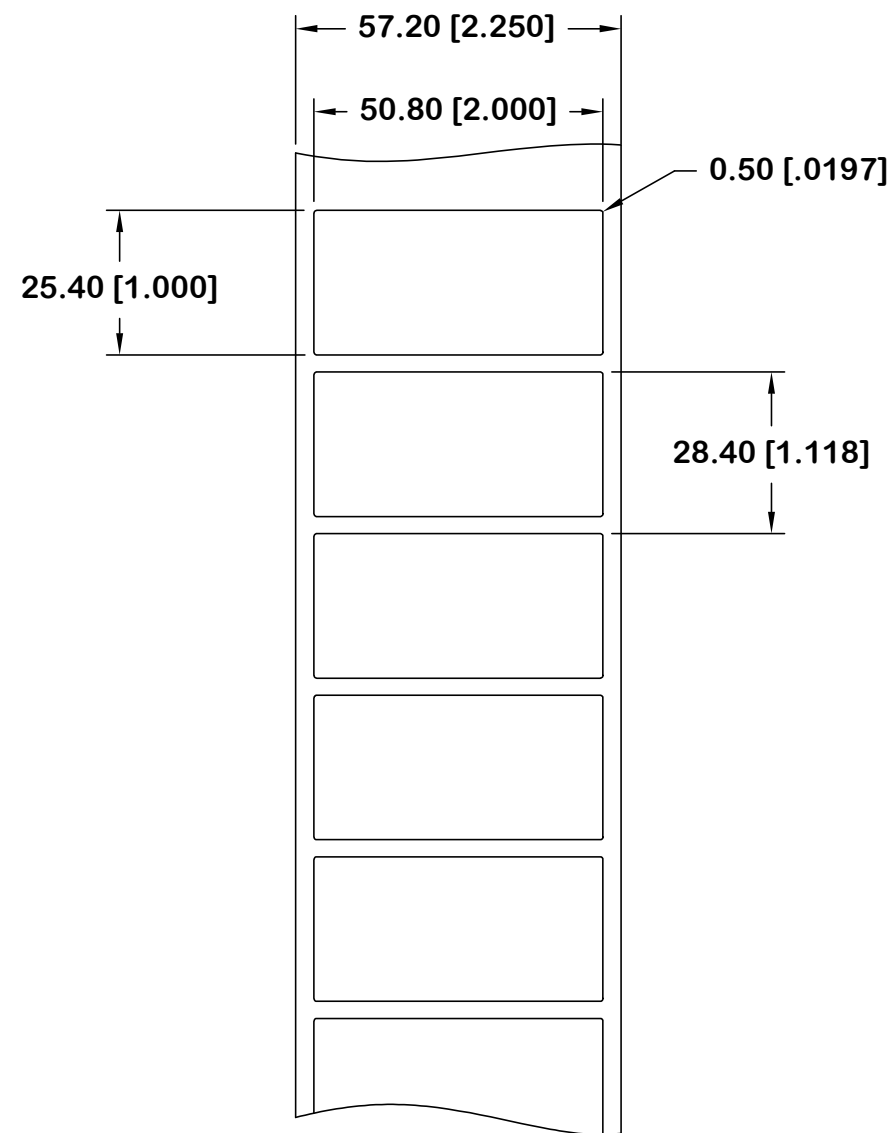
© COPYRIGHT - TE Connectivity Ltd.

ALL RIGHTS RESERVED.

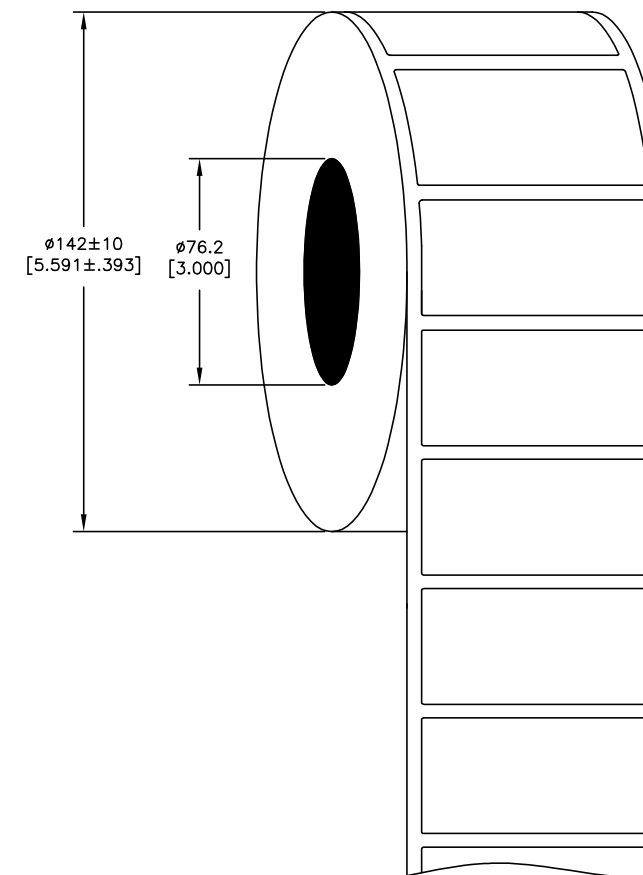
REVISIONS

P	LTR	DESCRIPTION	DATE	DWN	APVD
	B	DRAWING FORMAT UPDATE AND MATERIAL RE-DESIGN	25APR2019	GK	KM

LABEL AND LINER DESIGN



PRESENTATION



**OUTSIDE WOUND
LABEL ACROSS: 1
PER ROLL QTY: 2000.
ROLL LENGTH: 56.8m**

All dimensions in mm [Inches]

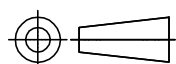
TE PN: 123634-000

MATERIAL	WHITE POLYPROPYLENE FILM
ADHESIVE TYPE	PERMANENT
LINER	BLEACHED, SUPER-CALENDERED PAPER STOCK

TOLERANCES mm [INCH]	
LABEL HEIGHT:	±0.3 [.012]
LABEL WIDTH:	±0.3 [.012]
WEB WIDTH:	±0.8 [.031]
VERTICAL REPEAT:	±0.8 [.031]*
HORIZONTAL REPEAT:	±0.8 [.031]*
PRINT POSITIONING:	±0.8 [.031]*
LEFT MARGIN:	±0.4 [.016]
QUANTITY:	-0 % +2 %
*NON ACCUMULATING	

THIS DRAWING IS A CONTROLLED DOCUMENT.

DIMENSIONS:
mm [INCHES]



TOLERANCES UNLESS OTHERWISE SPECIFIED:

0 PLC	± -
1 PLC	± -
2 PLC	± -
3 PLC	± -
4 PLC	± -
ANGLES	± -
FINISH	-

MATERIAL
SEE TABLE

DWN 23MAY2016
K. RAGHAVENDRA

CHK 23MAY2016
K. MUNZ

APVD 23MAY2016
K. MUNZ

PRODUCT SPEC
TTDS-008

APPLICATION SPEC
-

WEIGHT
0.288 g

CUSTOMER DRAWING



NAME
HPK - THERMAL TRANSFER PRINTABLE PANEL LABELS

SIZE
A3

CAGE CODE
C2290

DRAWING NO
HPK10WE1050

RESTRICTED TO
-

SCALE NTS SHEET 1 of 1 REV B

HPK10WE1050

A