

THIS DRAWING IS UNPUBLISHED.

RELEASED FOR PUBLICATION

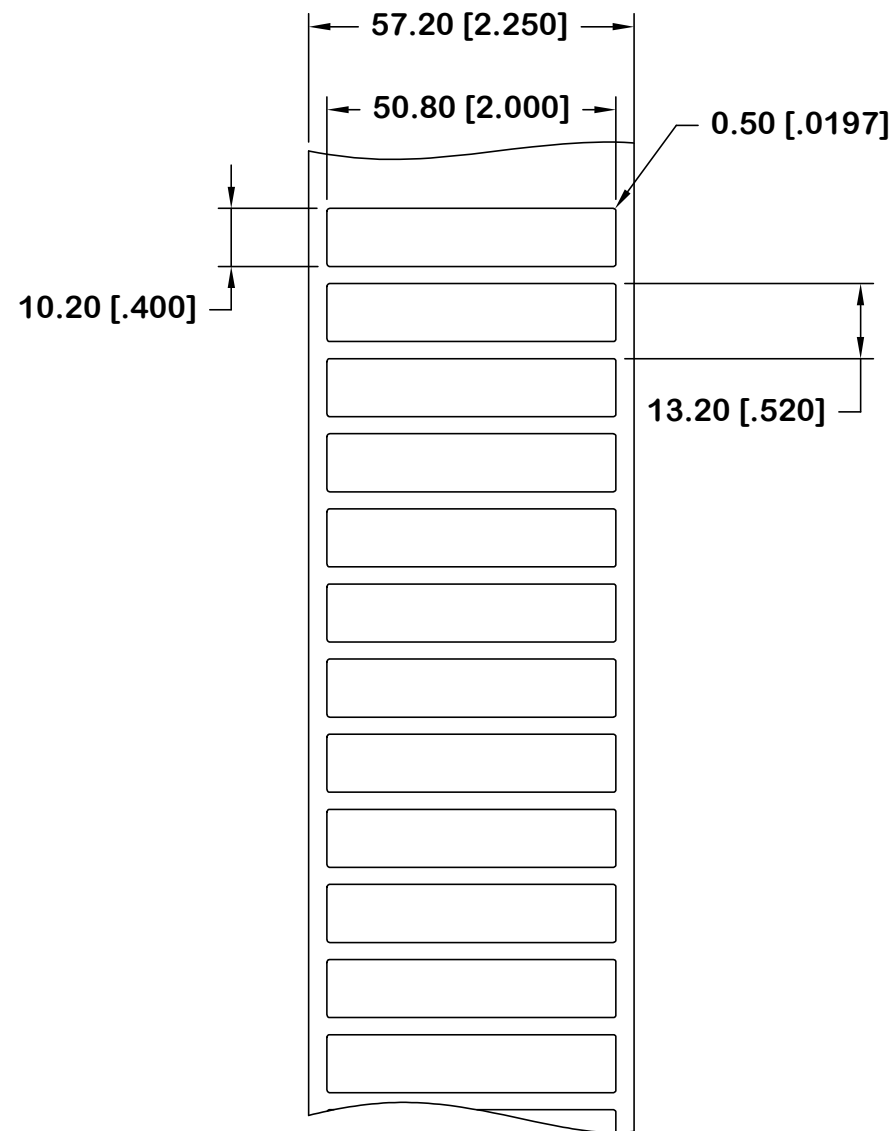
REVISIONS

© COPYRIGHT - TE Connectivity Ltd.

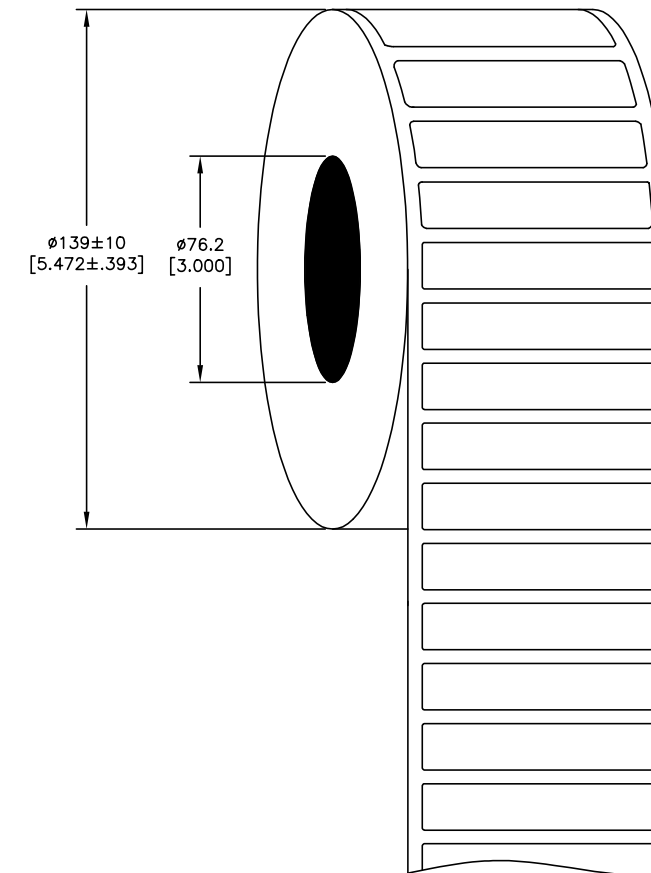
ALL RIGHTS RESERVED.

P	LTR	DESCRIPTION	DATE	DWN	APVD
	B	DRAWING FORMAT UPDATE AND MATERIAL RE-DESIGN	25APR2019	GK	KM

LABEL AND LINER DESIGN



PRESENTATION



All dimensions in mm [Inches]

TE PN: 535920-000

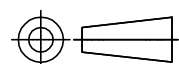
OUTSIDE WOUND
LABEL ACROSS: 1
PER ROLL QTY: 4000.
ROLL LENGTH: 52.8m

MATERIAL	WHITE POLYPROPYLENE FILM
ADHESIVE TYPE	PERMANENT
LINER	BLEACHED, SUPER-CALENDERED PAPER STOCK

TOLERANCES mm [INCH]	
LABEL HEIGHT:	±0.3 [.012]
LABEL WIDTH:	±0.3 [.012]
WEB WIDTH:	±0.8 [.031]
VERTICAL REPEAT:	±0.8 [.031]*
HORIZONTAL REPEAT:	±0.8 [.031]*
PRINT POSITIONING:	±0.8 [.031]*
LEFT MARGIN:	±0.4 [.016]
QUANTITY:	-0 % +2 %
*NON ACCUMULATING	

THIS DRAWING IS A CONTROLLED DOCUMENT.

DIMENSIONS:
mm [INCHES]



TOLERANCES UNLESS OTHERWISE SPECIFIED:

- 0 PLC ± -
- 1 PLC ± -
- 2 PLC ± -
- 3 PLC ± -
- 4 PLC ± -
- ANGLES ± -

MATERIAL
SEE TABLE

FINISH

DWN	23MAY2016
K. RAGHAVENDRA	
CHK	23MAY2016
K. MUNZ	
APVD	23MAY2016
K. MUNZ	
PRODUCT SPEC	TTDS-008
APPLICATION SPEC	-
WEIGHT	0.134 g
CUSTOMER DRAWING	



NAME
HPK - THERMAL TRANSFER PRINTABLE PANEL LABELS

SIZE CAGE CODE DRAWING NO RESTRICTED TO

A3 C2290 HPK04WE1050

SCALE NTS SHEET 1 of 1 REV B