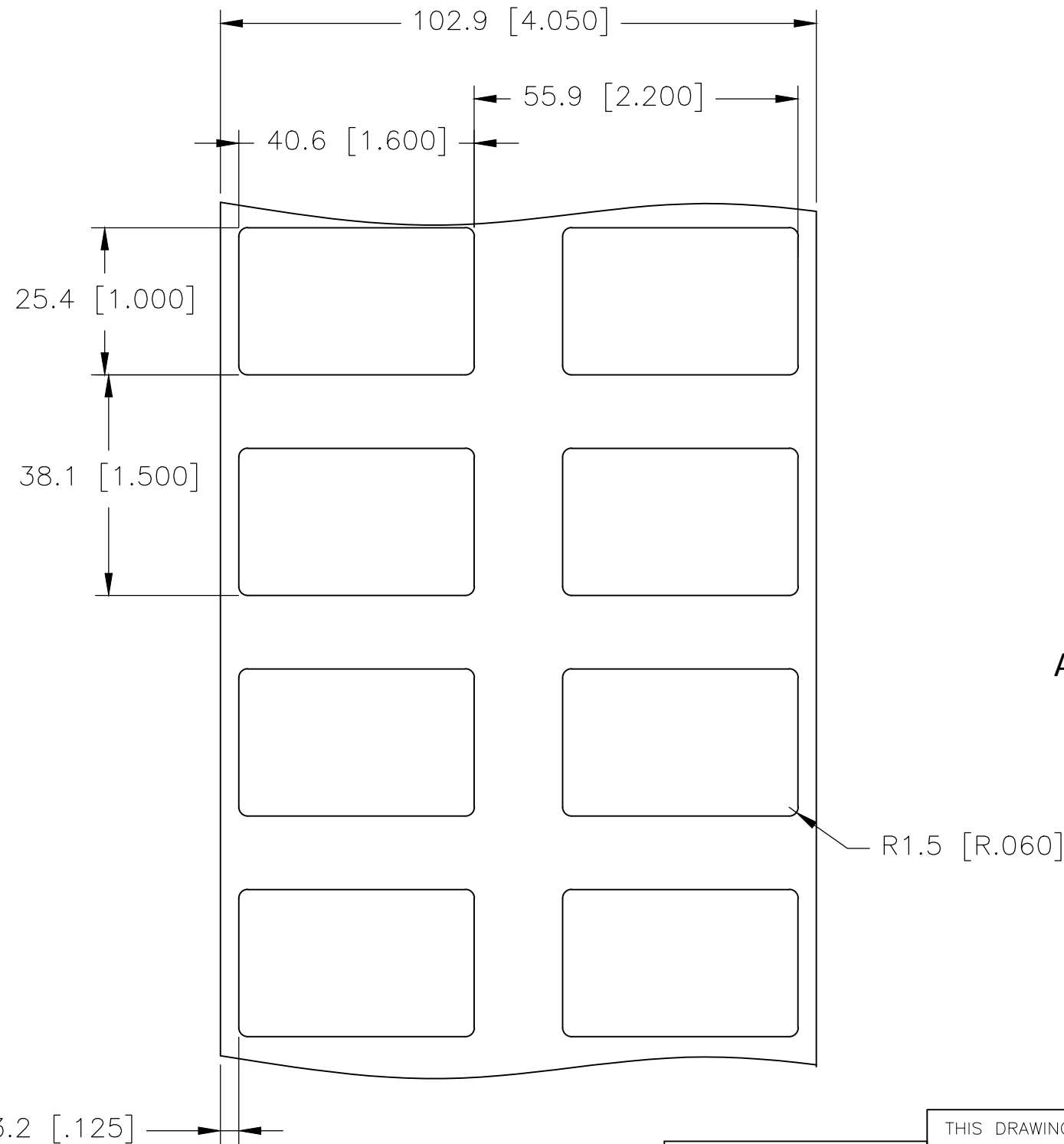
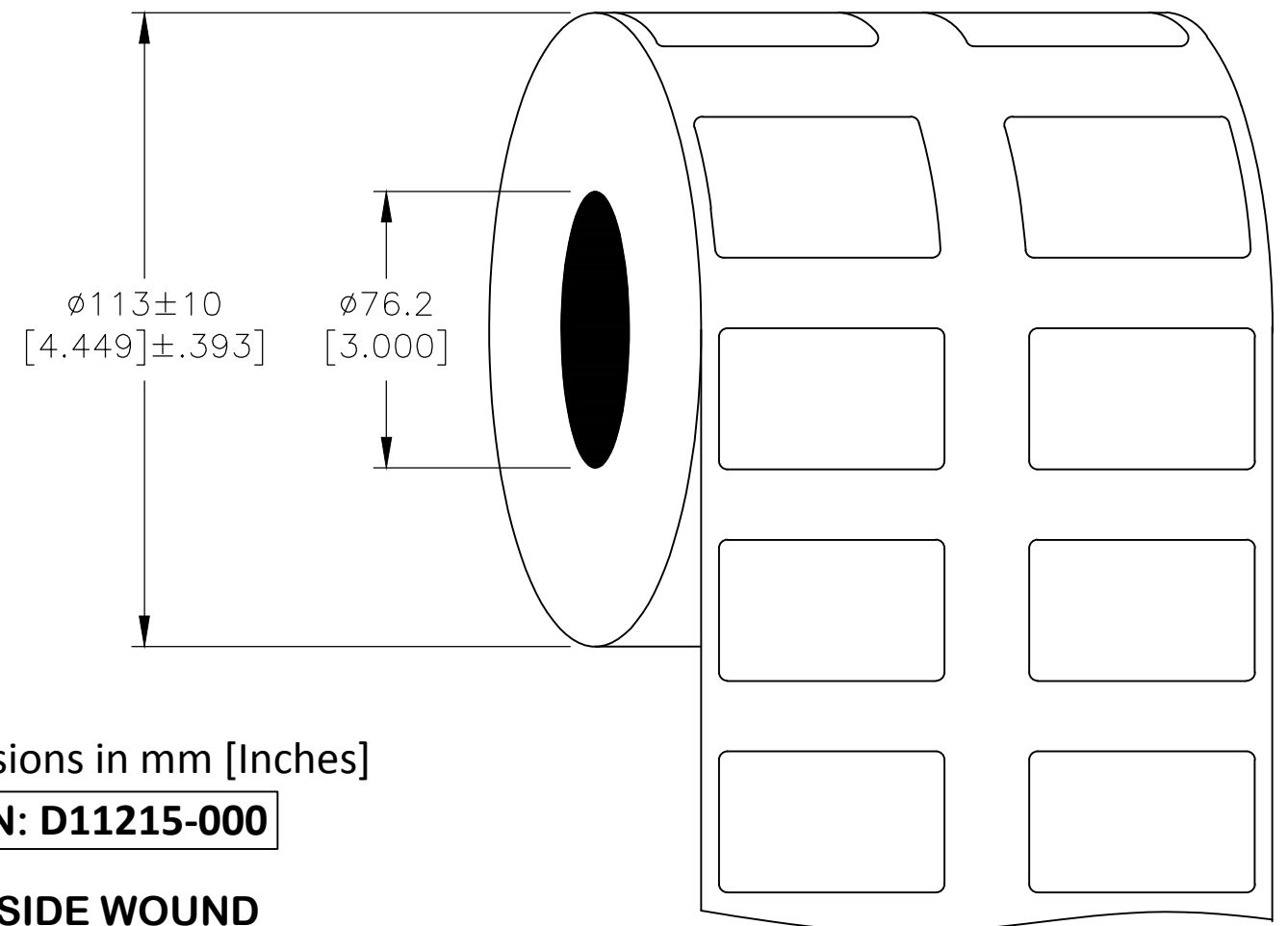


P	LTR	DESCRIPTION	DATE	DWN	APVD
	A	INITIAL RELEASE	12OCT2020	GK	MN

LABEL AND LINER DESIGN



PRESENTATION



All dimensions in mm [Inches]

TE PN: D11215-000

**OUTSIDE WOUND
LABEL ACROSS: 2
PER ROLL QTY: 1500**

MATERIAL	HIGH TACK MATTE METALIZED POLYESTER
ADHESIVE TYPE	PERMANENT ACRYLIC
LINER	GLASSINE PAPER

TOLERANCES mm [INCH]	
LABEL HEIGHT:	± 0.3 [.012]
LABEL WIDTH:	± 0.3 [.012]
WEB WIDTH:	± 0.8 [.031]
VERTICAL REPEAT:	± 0.8 [.031]*
HORIZONTAL REPEAT:	± 0.8 [.031]*
PRINT POSITIONING:	± 0.8 [.031]*
LEFT MARGIN:	± 0.4 [.016]
QUANTITY:	-0 % +2 %
*NON ACCUMULATING	

THIS DRAWING IS A CONTROLLED DOCUMENT.	
DIMENSIONS: mm [INCHES]	TOLERANCES UNLESS OTHERWISE SPECIFIED:
	0 PLC $\pm -$
	1 PLC $\pm -$
	2 PLC $\pm -$
	3 PLC $\pm -$
	4 PLC $\pm -$
ANGLES $\pm -$	FINISH $\pm -$
MATERIAL SEE TABLE	

DWN GOPALAKRISHNA HV 12OCT2020	TE Connectivity
CHK MIKE NUTTALL 12OCT2020	
APVD MIKE NUTTALL 12OCT2020	
PRODUCT SPEC TTDS-118	
APPLICATION SPEC -	NAME HMM - HIGH TACK MATTE METALIZED POLYESTER LABELS
WEIGHT 0.134g	SIZE A3
CUSTOMER DRAWING	CAGE CODE C2290
	DRAWING NO G-HMM-406254-1.5-8A
	RESTRICTED TO -
	SCALE NTS
	SHEET 1 OF 1
	REV A