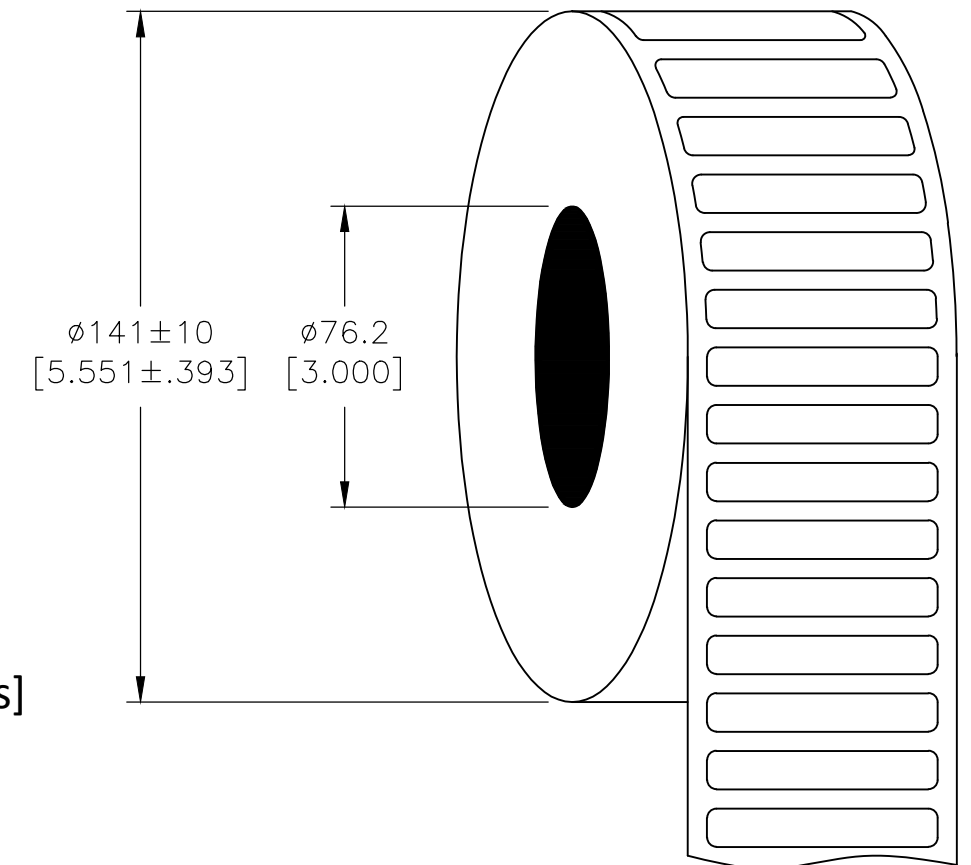
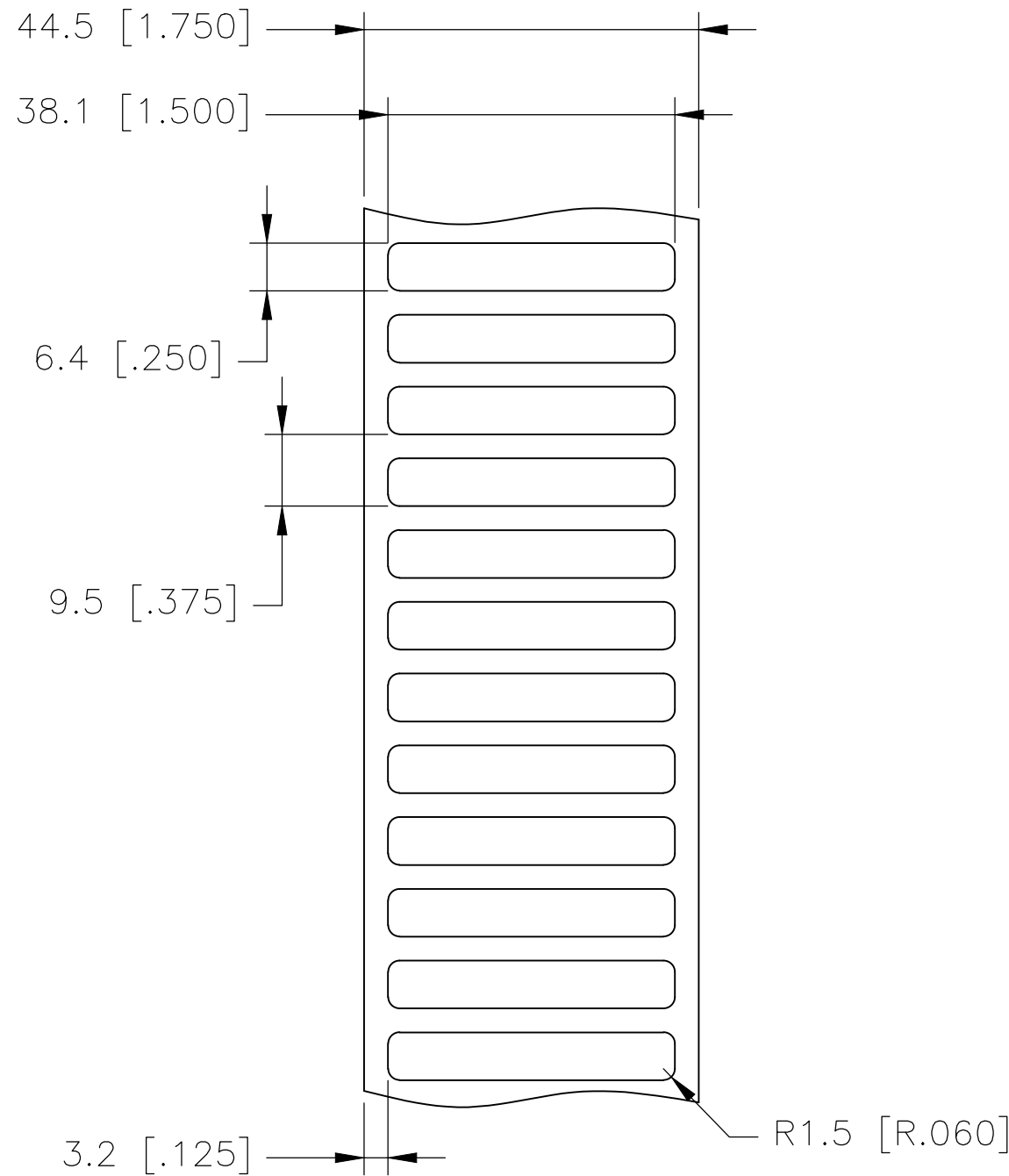


P	LTR	DESCRIPTION	DATE	DWN	APVD
	B	INITIAL RELEASE	12OCT2020	GK	MN

### LABEL AND LINER DESIGN

### PRESENTATION



All dimensions in mm [Inches]  
**TE PN: C63185-000**

**OUTSIDE WOUND  
 LABEL ACROSS: 1  
 PER ROLL QTY: 10000**

<b>MATERIAL</b>	<b>HIGH TACK MATTE METALIZED POLYESTER</b>
<b>ADHESIVE TYPE</b>	<b>PERMANENT ACRYLIC</b>
<b>LINER</b>	<b>GLASSINE PAPER</b>

TOLERANCES mm [INCH]	
LABEL HEIGHT:	$\pm 0.3$ [.012]
LABEL WIDTH:	$\pm 0.3$ [.012]
WEB WIDTH:	$\pm 0.8$ [.031]
VERTICAL REPEAT:	$\pm 0.8$ [.031]*
HORIZONTAL REPEAT:	$\pm 0.8$ [.031]*
PRINT POSITIONING:	$\pm 0.8$ [.031]*
LEFT MARGIN:	$\pm 0.4$ [.016]
QUANTITY:	-0 % +2 %
*NON ACCUMULATING	

THIS DRAWING IS A CONTROLLED DOCUMENT.	
DIMENSIONS: mm [INCHES]	TOLERANCES UNLESS OTHERWISE SPECIFIED:
	0 PLC $\pm$ -
	1 PLC $\pm$ -
	2 PLC $\pm$ -
	3 PLC $\pm$ -
	4 PLC $\pm$ -
MATERIAL SEE TABLE	FINISH -

DWN GOPALAKRISHNA HV 12OCT2020	TE Connectivity			
CHK MIKE NUTTALL 12OCT2020				
APVD MIKE NUTTALL 12OCT2020	NAME HMM - HIGH TACK MATTE METALIZED POLYESTER LABELS			
PRODUCT SPEC TTDS-118				
APPLICATION SPEC -	SIZE A3	CAGE CODE C2290	DRAWING NO G-HMM-381064-10-8A	RESTRICTED TO -
WEIGHT 0.032g	CUSTOMER DRAWING			SCALE NTS
			SHEET 1 OF 1	REV B