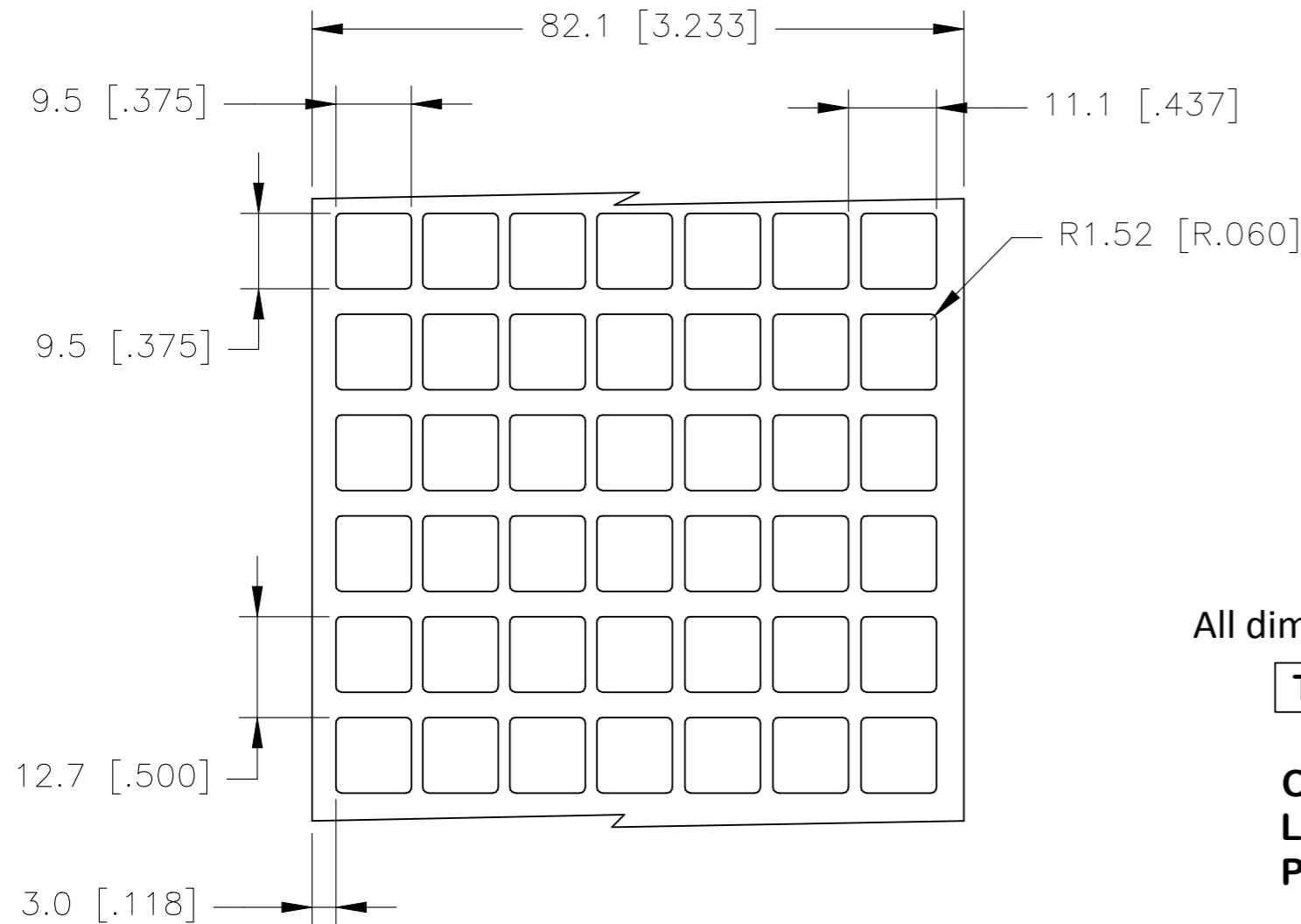
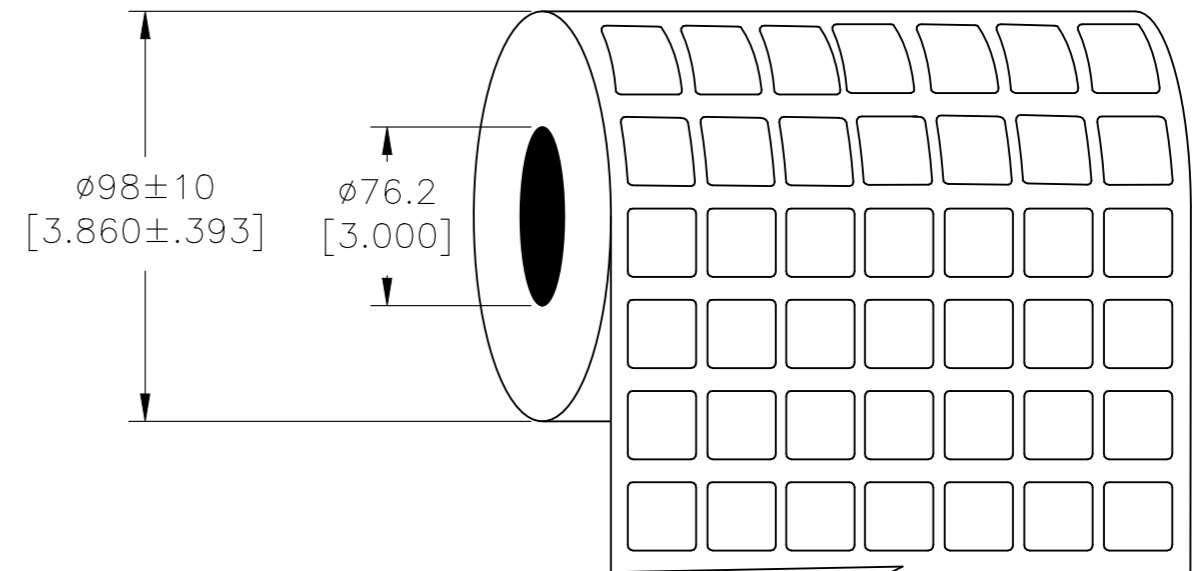


P	LTR	DESCRIPTION	DATE	DWN	APVD
	B	INITIAL RELEASE	12FEB2021	MN	AK

LABEL AND LINER DESIGN



PRESENTATION



All dimensions in mm [Inches]

TE PN: F91703-000

**OUTSIDE WOUND
LABEL ACROSS: 7
PER ROLL QTY: 10000**

MATERIAL	HIGH TACK MATTE METALIZED POLYESTER
ADHESIVE TYPE	PERMANENT
LINER	GLASSINE PAPER



TOLERANCES mm [INCH]	
LABEL HEIGHT:	±0.3 [.012]
LABEL WIDTH:	±0.3 [.012]
WEB WIDTH:	±0.8 [.031]
VERTICAL REPEAT:	±0.8 [.031]*
HORIZONTAL REPEAT:	±0.8 [.031]*
PRINT POSITIONING:	±0.8 [.031]*
LEFT MARGIN:	±0.4 [.016]
QUANTITY:	-0 % +2 %
*NON ACCUMULATING	

THIS DRAWING IS A CONTROLLED DOCUMENT.

DIMENSIONS: mm [INCHES]	TOLERANCES UNLESS OTHERWISE SPECIFIED:
	0 PLC ± -
	1 PLC ± -
	2 PLC ± -
	3 PLC ± -
	4 PLC ± -
ANGLES ± -	FINISH -
MATERIAL SEE TABLE	

DWN	M. NUTTALL	11FEB2021
CHK	A. KEAN	12FEB2021
APVD	A. KEAN	12FEB2021
PRODUCT SPEC	TTDS-118	
APPLICATION SPEC	-	
WEIGHT	0.012g	
CUSTOMER DRAWING		

NAME HMM - HIGH TACK MATTE METALIZED POLYESTER			
SIZE	CAGE CODE	DRAWING NO	RESTRICTED TO
A3	C2290	G-HMM-095095-10-8A	-
SCALE NTS		SHEET 1 OF 1	REV B