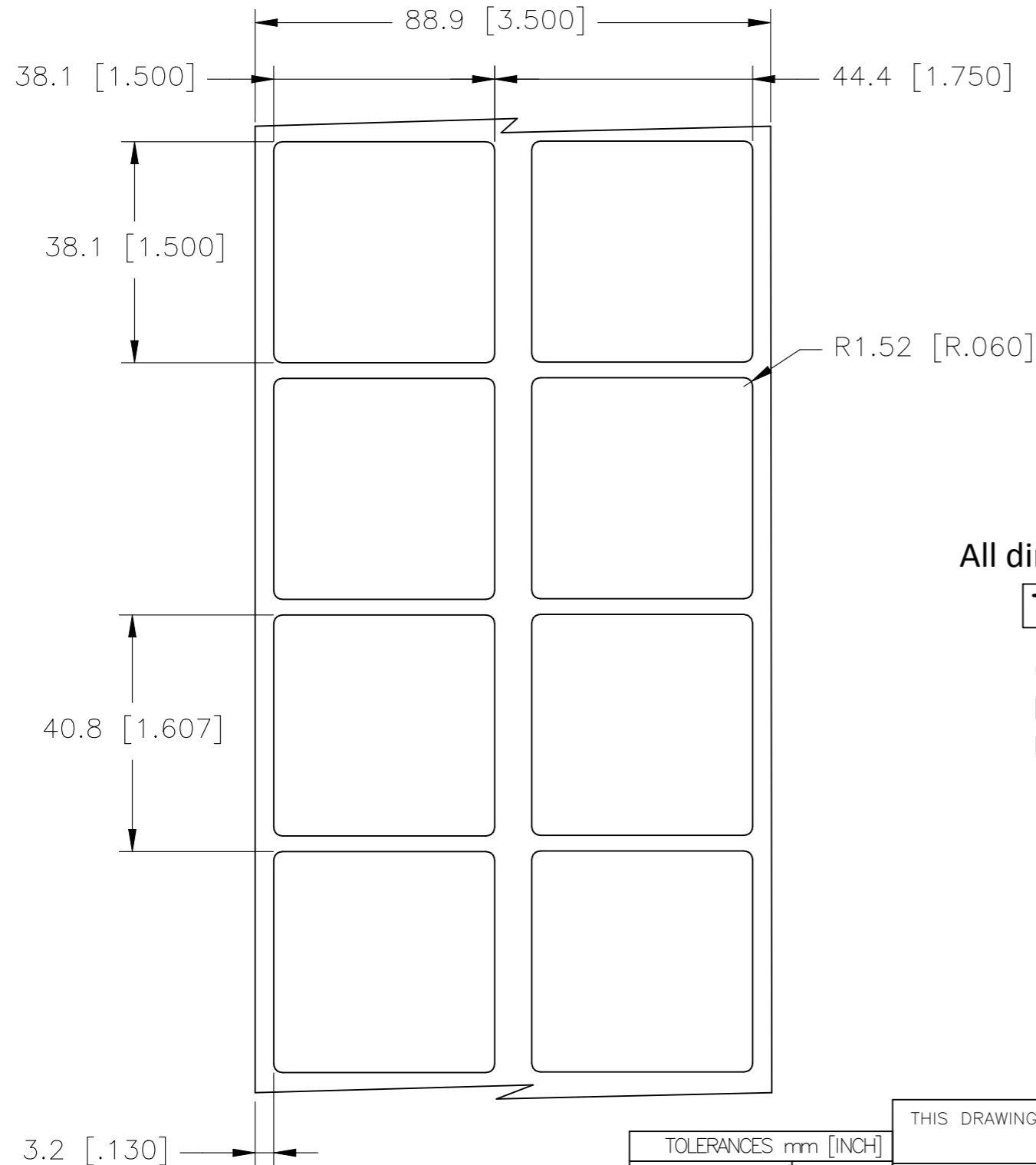
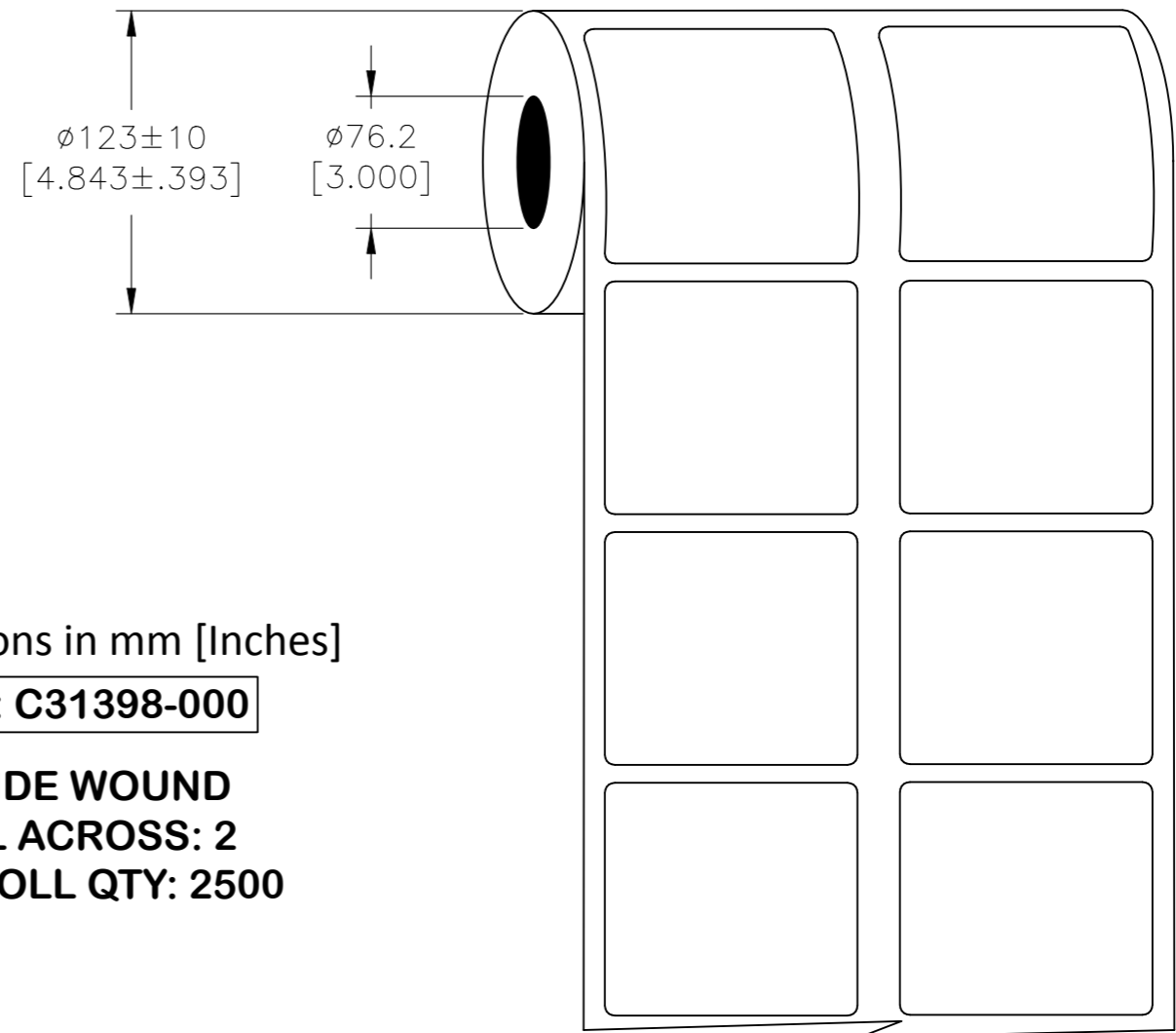


P	LTR	DESCRIPTION	DATE	DWN	APVD
	A	INITIAL RELEASE	13MAY2021	MN	AK

**LABEL AND LINER DESIGN**



**PRESENTATION**



All dimensions in mm [Inches]

**TE PN: C31398-000**

**OUTSIDE WOUND  
LABEL ACROSS: 2  
PER ROLL QTY: 2500**

<b>MATERIAL</b>	HIGH TACK METALIZED POLYESTER
<b>ADHESIVE TYPE</b>	PERMANENT ACRYLIC
<b>LINER</b>	GLASSINE PAPER

THIS DRAWING IS A CONTROLLED DOCUMENT.

TOLERANCES mm [INCH]	
LABEL HEIGHT:	$\pm 0.3$ [.012]
LABEL WIDTH:	$\pm 0.3$ [.012]
WEB WIDTH:	$\pm 0.8$ [.031]
VERTICAL REPEAT:	$\pm 0.8$ [.031]*
HORIZONTAL REPEAT:	$\pm 0.8$ [.031]*
PRINT POSITIONING:	$\pm 0.8$ [.031]*
LEFT MARGIN:	$\pm 0.4$ [.016]
QUANTITY:	-0 % +2 %
*NON ACCUMULATING	

DIMENSIONS:	TOLERANCES UNLESS OTHERWISE SPECIFIED:
mm [INCHES]	
	0 PLC $\pm -$
	1 PLC $\pm -$
	2 PLC $\pm -$
	3 PLC $\pm -$
	4 PLC $\pm -$
ANGLES	$\pm -$
FINISH	$\pm -$

DWN	05OCT2006		TE Connectivity		
CHK	GOPALAKRISHNA HV		NAME		
APVD	M. NUTTALL		HM - HIGH TACK METALIZED POLYESTER LABELS		
APVD	A. KEAN		-		
PRODUCT SPEC	TTDS-075	SIZE	CAGE CODE	DRAWING NO	RESTRICTED TO
APPLICATION SPEC	-	A3	C2290	C-HM-381381-2.5-8A	-
WEIGHT	0.363g	CUSTOMER DRAWING		SCALE	SHEET
				NTS	1 OF 1
				REV	A