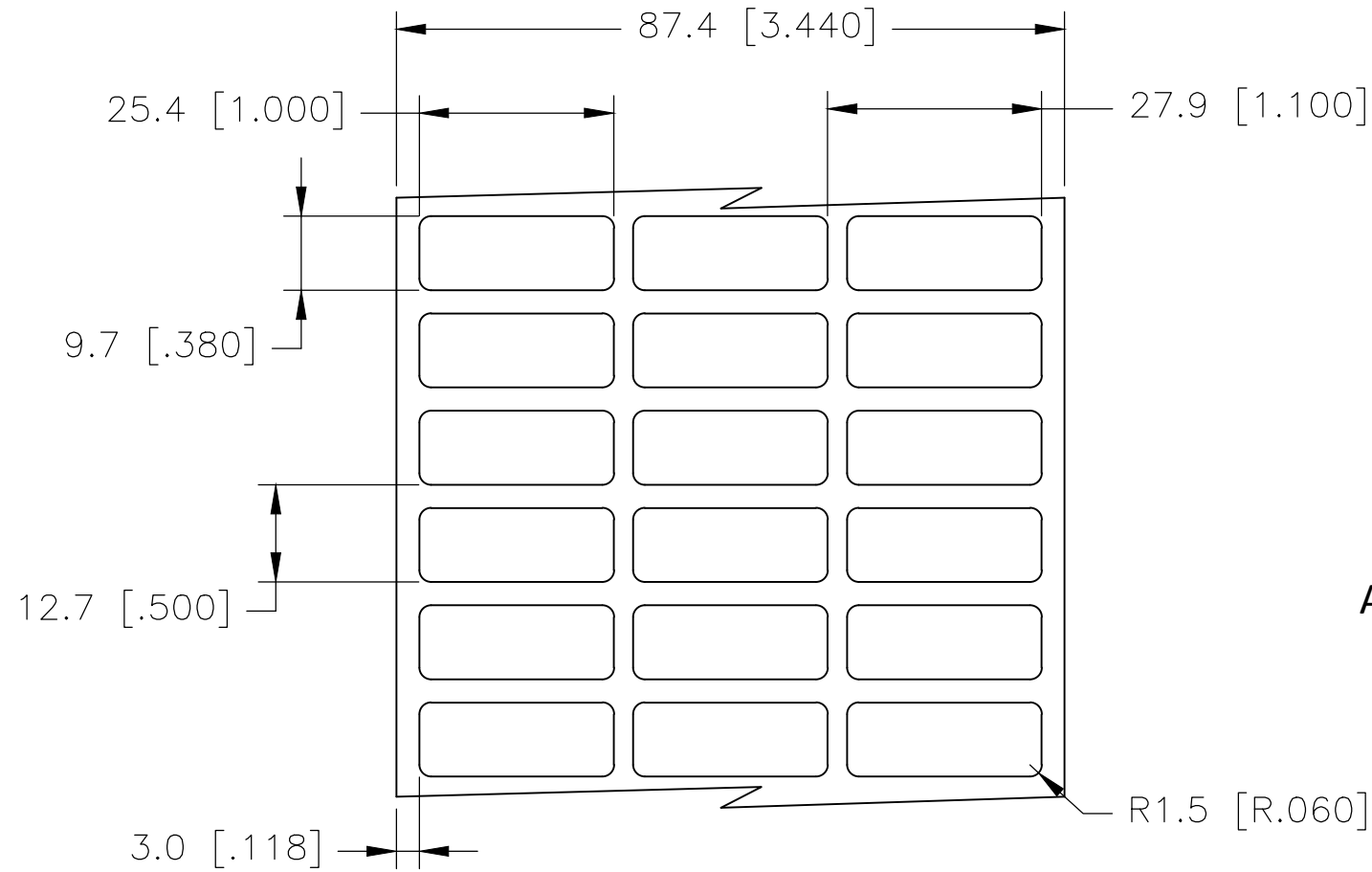
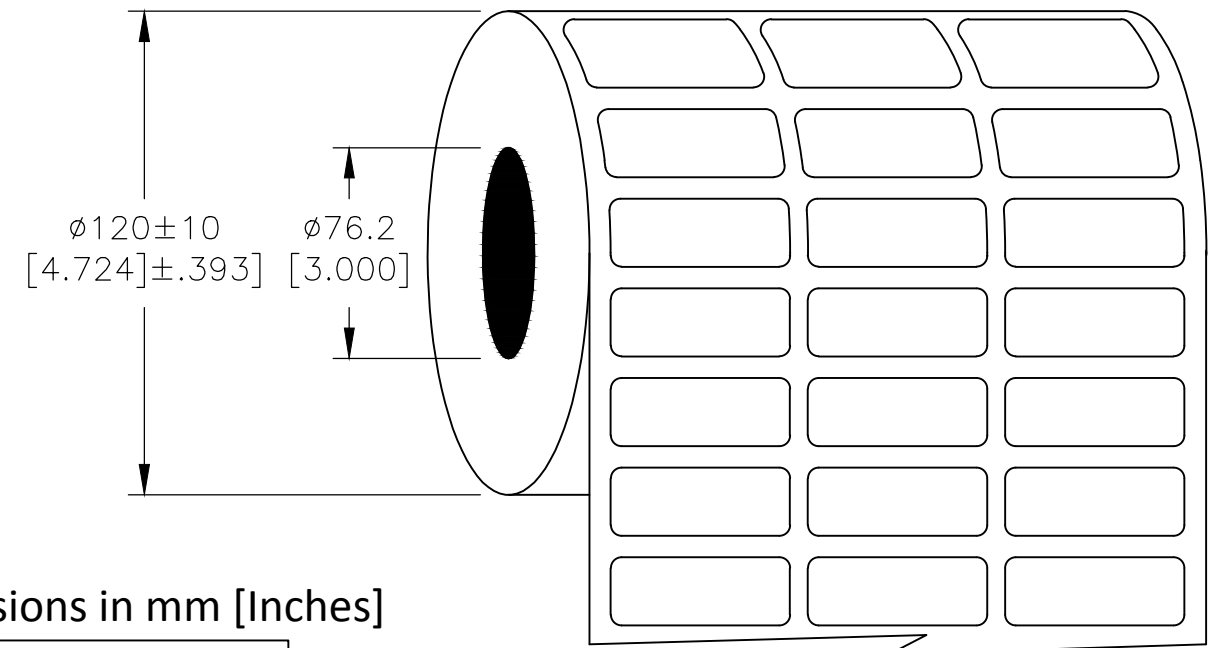


P	LTR	DESCRIPTION	DATE	DWN	APVD
	B	REVISED PER ECR-20-012923	22SEP2020	GK	MN

**LABEL AND LINER DESIGN**



**PRESENTATION**



All dimensions in mm [Inches]

**TE PN: A07970-000**

**OUTSIDE WOUND  
LABEL ACROSS: 3  
PER ROLL QTY: 10000**

<b>MATERIAL</b>	<b>HIGH TACK METALIZED POLYESTER</b>
<b>ADHESIVE TYPE</b>	<b>PERMANENT ACRYLIC</b>
<b>LINER</b>	<b>GLASSINE PAPER</b>

TOLERANCES mm [INCH]	
LABEL HEIGHT:	±0.3 [.012]
LABEL WIDTH:	±0.3 [.012]
WEB WIDTH:	±0.8 [.031]
VERTICAL REPEAT:	±0.8 [.031]*
HORIZONTAL REPEAT:	±0.8 [.031]*
PRINT POSITIONING:	±0.8 [.031]*
LEFT MARGIN:	±0.4 [.016]
QUANTITY:	-0 % +2 %
*NON ACCUMULATING	

THIS DRAWING IS A CONTROLLED DOCUMENT.	
DIMENSIONS: mm [INCHES]	TOLERANCES UNLESS OTHERWISE SPECIFIED:
	0 PLC ± -
	1 PLC ± -
	2 PLC ± -
	3 PLC ± -
	4 PLC ± -
ANGLES ± -	FINISH -
MATERIAL SEE TABLE	

DWN	22SEP2020
CHK	GOPALAKRISHNA HV
APVD	22SEP2020
NAME	MIKE NUTTALL
PRODUCT SPEC	MIKE NUTTALL
APPLICATION SPEC	TTDS-075
WEIGHT	0.028g

<b>STE</b> TE Connectivity			
NAME HM - HIGH TACK METALIZED POLYESTER LABELS			
SIZE	CAGE CODE	DRAWING NO	RESTRICTED TO
A3	C2290	G-HM-254097-10-8A	-
CUSTOMER DRAWING		SCALE NTS	SHEET 1 OF 1
		REV B	