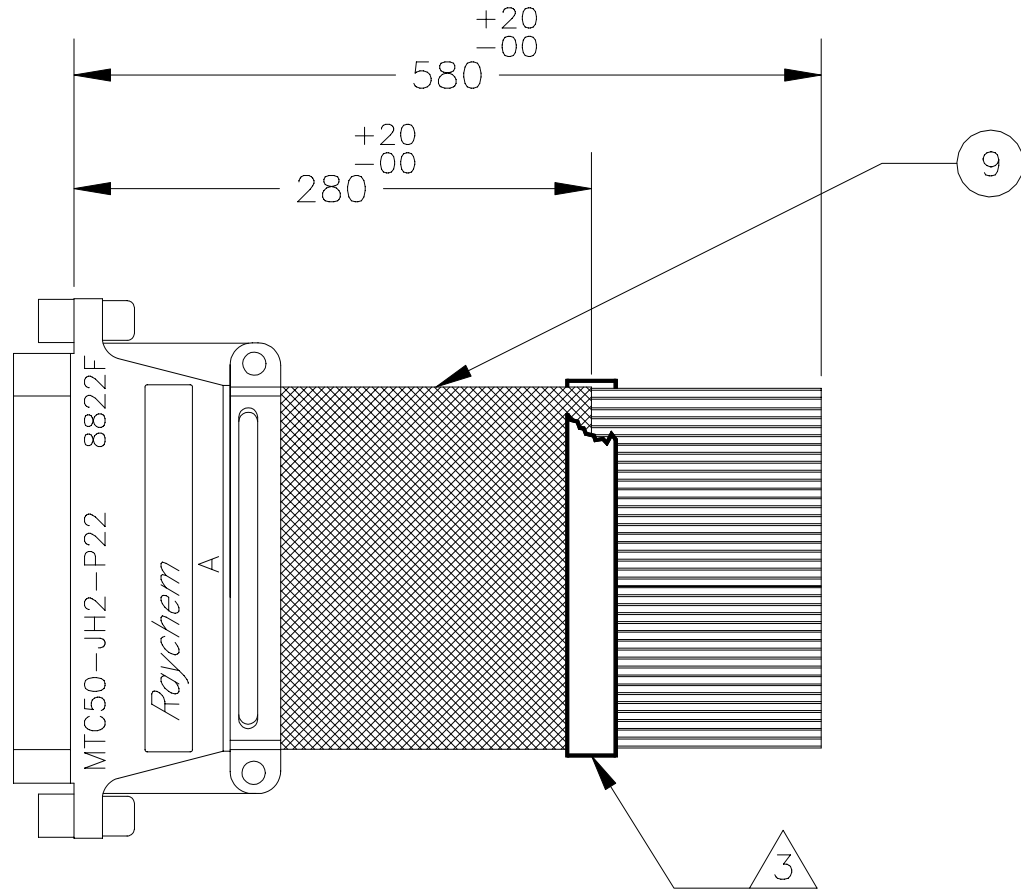


REVISIONS			
LTR	DESCRIPTION	DATE	APPROVED
C	REVISED/REFORMATED IN ENGLISH DCR #T-26859	12/8/00	GMR



If this document is printed it becomes uncontrolled.
Check with document control for latest revision.

SPECIFICATION CONTROL DRAWING

9	1	EXNL-30	NOMEX SLEEVE, ARMY GREEN, .30m LONG-DUPONT
8	2	CHA-0045	SHIELDING, COPPER FOIL, .30m LONG
7	1	CHA-0049	SHIELDING, COPPER FOIL, .30m LONG
6	1	FB-RWC-13016	FILM BONDED, 20 CONDUCTOR CABLE, .60m LONG
5	1	FB-RWC-13004	FILM BONDED, 40 CONDUCTOR CABLE, .60m LONG
4	3	CTA-0103	BUS BAR
3	1	MTC50-YB2-016	MTC "B" WAFER, SOCKET
2	1	MTC50-YA2-016	MTC "A" WAFER, SOCKET
1	1	MTC50-JH2-P22	MTC SHELL

ITEM	QTY	DWG/SPEC No.	DESCRIPTION
------	-----	--------------	-------------

PARTS LIST

UNLESS OTHERWISE SPECIFIED
DIMENSIONS ARE IN MILLIMETERS
TOLERANCES ARE AS FOLLOWS

DIMENSIONS:

X,XX ± —
X,X ± —
X ± —

ANGLES:

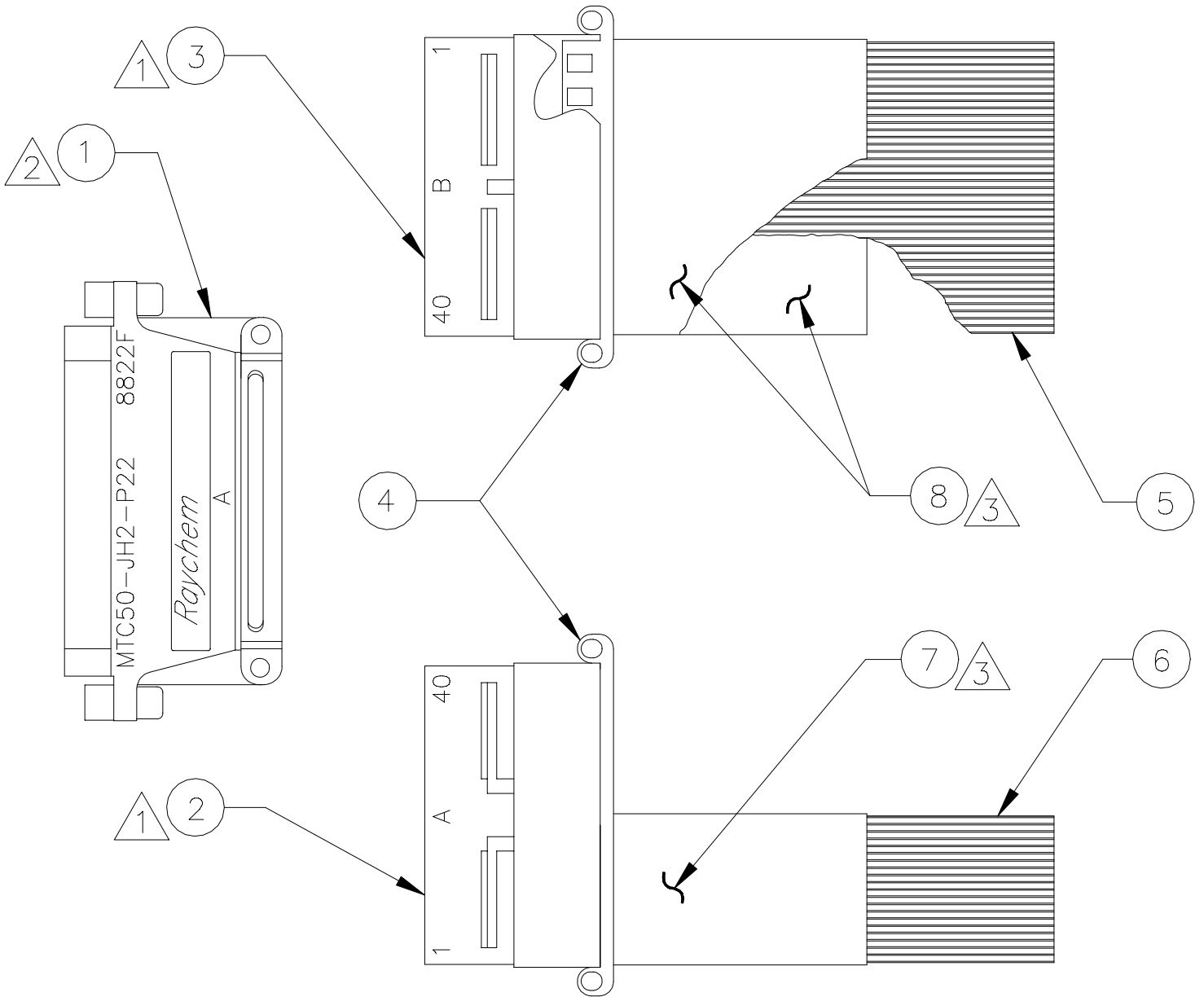
X ± —

DRAWN G.ROSITANO	DATE 6/8/00
CHECKED	DATE
APPROVED P.DUTTON	DATE 6/20/00
APPROVED	DATE
CAD NAME T26859A	
THIRD ANGLE PROJECTION	

Raychem A DIVISION OF TYCO ELECTRONICS
300 CONSTITUTION DRIVE
MENLO PARK, CALIFORNIA 94025

TITLE
HARNESS

SIZE A	CODE IDENT. NO. 06090	DWG. NO. HF-50-60	REV C
DO NOT SCALE THIS DWG		SHEET 1 OF 2	



NOTES:

- 1. FOR TERMINATION: FOLLOW INSTALLATION PROCEDURE ES-61408.
- 2. ASSEMBLE MTC WAFER SHELL PER ES-61257.
- 3. EDGE OF SHIELDING (ITEMS 7 AND 8) AND NOMEX SLEEVE (ITEM 9) ARE TO BE HELD TOGETHER WITH A BAND OF ADHESIVE TAPE.

**If this document is printed it becomes uncontrolled.
Check with the web for latest revision.**

SIZE	CODE IDENT. NO.	DWG. NO.	REV
A	06090	HF-50-60	C
DO NOT SCALE THIS DWG		CAD NAME T26859B	SHEET 2 OF 2