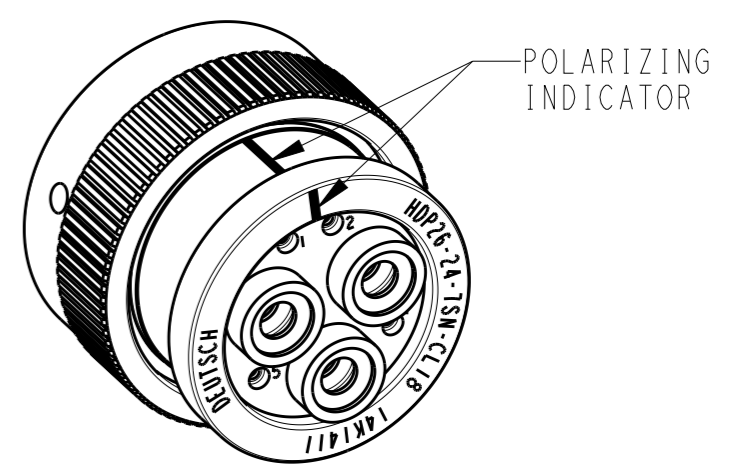
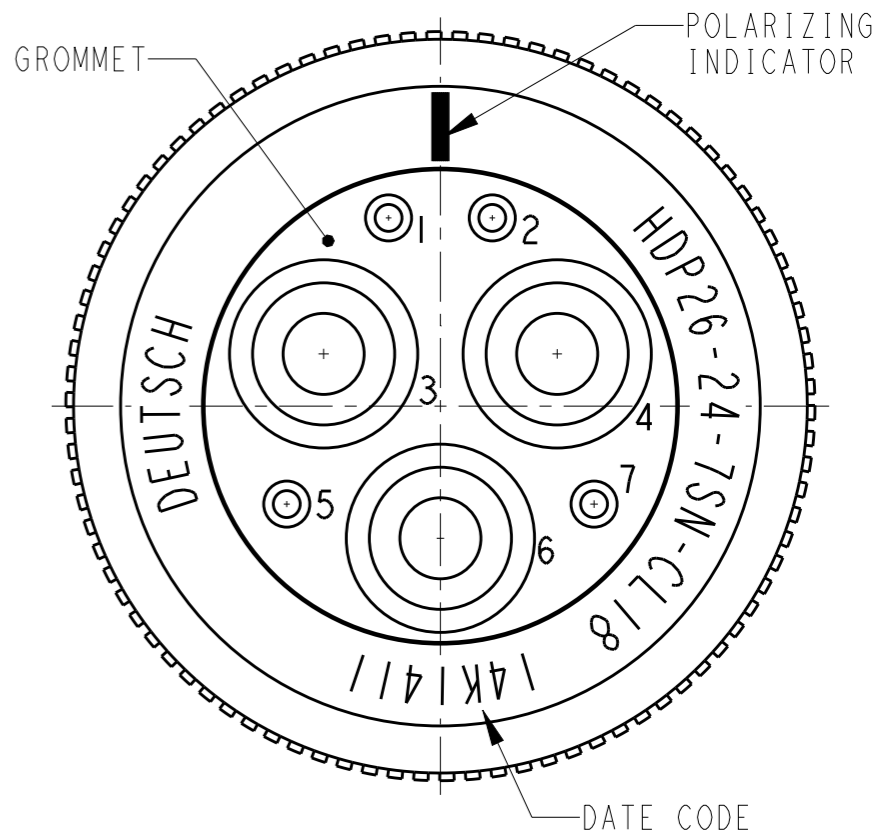
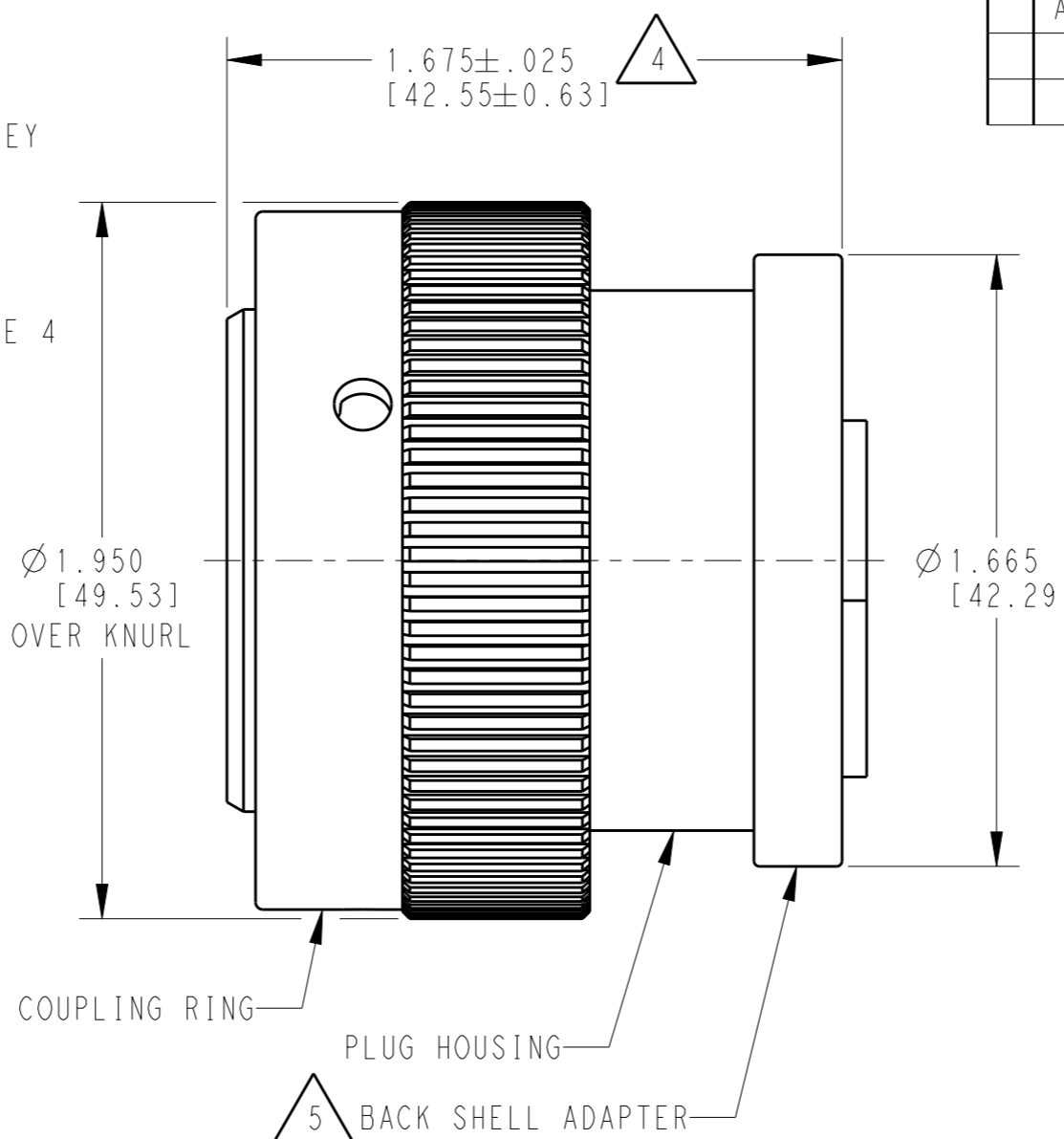
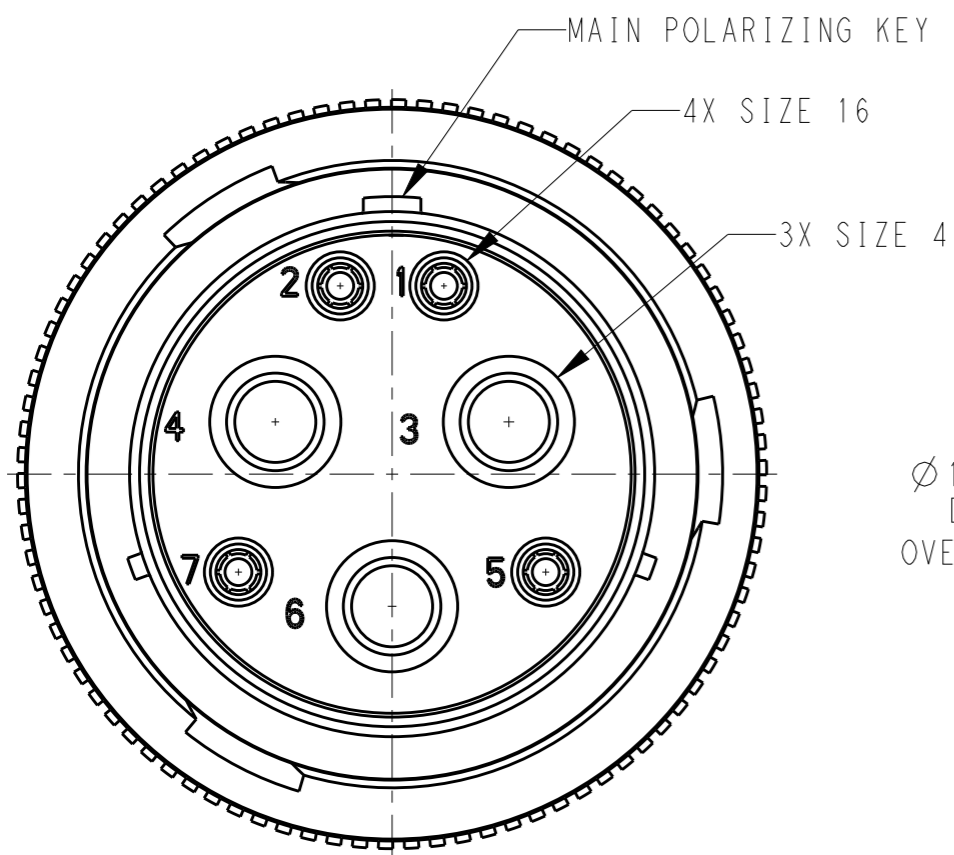


THIS DRAWING IS UNPUBLISHED
 RELEASED FOR PUBLICATION 2015
 © COPYRIGHT 2011 BY TE CONNECTIVITY ALL RIGHTS RESERVED.

LOC	DIST	REVISIONS			
P	LTR	DESCRIPTION	DATE	DWN	APVD
		NC	NEW RELEASE PER E.O. P20859	13JUL2011	IG SB
		A	REVISED PER ECO-14-019072	23FEB2015	JA DM



SCALE 1:1

5 PART MODIFICATION: BACKSHELL ADAPTER
 3 SIZE 4: 4 AWG [21.0-25.0 mm²] AND 4 SIZE 16
 ACCEPTS BACKSHELLS:
 2428-004-2405, 2428-008-2405
 2428-010-2405, 2428-011-2405

4 NOTED DIMENSION DOES NOT INCLUDE GROMMET PROTRUSION.

3 MATERIAL: PLUG HOUSING/COUPLING RING: PA66 GF10 (BLACK)
 BACKSHELL ADAPTER: PA66 GF10 (GREEN, GRAY, BLUE)
 GROMMET: SILICONE (ORANGE-RED)

2 SEE 0425-021-0000 APPLICATION SPECIFICATION
 A. RECOMMENDED WIRE INSULATION RANGE
 B. CONTACT REMOVAL TOOLS

1. THIS PLUG MATES WITH HDP24-24-7PX-XXXX RECEPTACLE
 X = SEAL TYPE (N,T,E)
 XXXX = MODIFICATION

NOTES:

TE INTERNAL PN	DEUTSCH PN
HDP26-24-7SN-CL18	HDP26-24-7SN-CL18

THIS DRAWING IS A CONTROLLED DOCUMENT.		DWN 22MAR2011 ILINA GRATCHAROVA		TE Connectivity	
DIMENSIONS: INCHES [mm]		CHK 13JUL2011 BRICE BYFORD			
TOLERANCES UNLESS OTHERWISE SPECIFIED:		APVD 13JUL2011 STEVE BEARD		NAME PLUG, COUPLING RING SIZE 24, -CL18 MOD HDP SERIES	
0 PLC ±		PRODUCT SPEC 0425-021-0000		SIZE A3	
1 PLC ±		APPLICATION SPEC 2		CAGE CODE 4AFU8	
2 PLC ±		WEIGHT 56.37g		DRAWING NO HDP26-24-7SN-CL18	
3 PLC ±.015 [0.38]		Customer Drawing		RESTRICTED TO -	
4 PLC ±		SCALE 2:1		SHEET 1 OF 1	
4 ANGLES ± ±0°30'0"		REV A			
FINISH N/A					