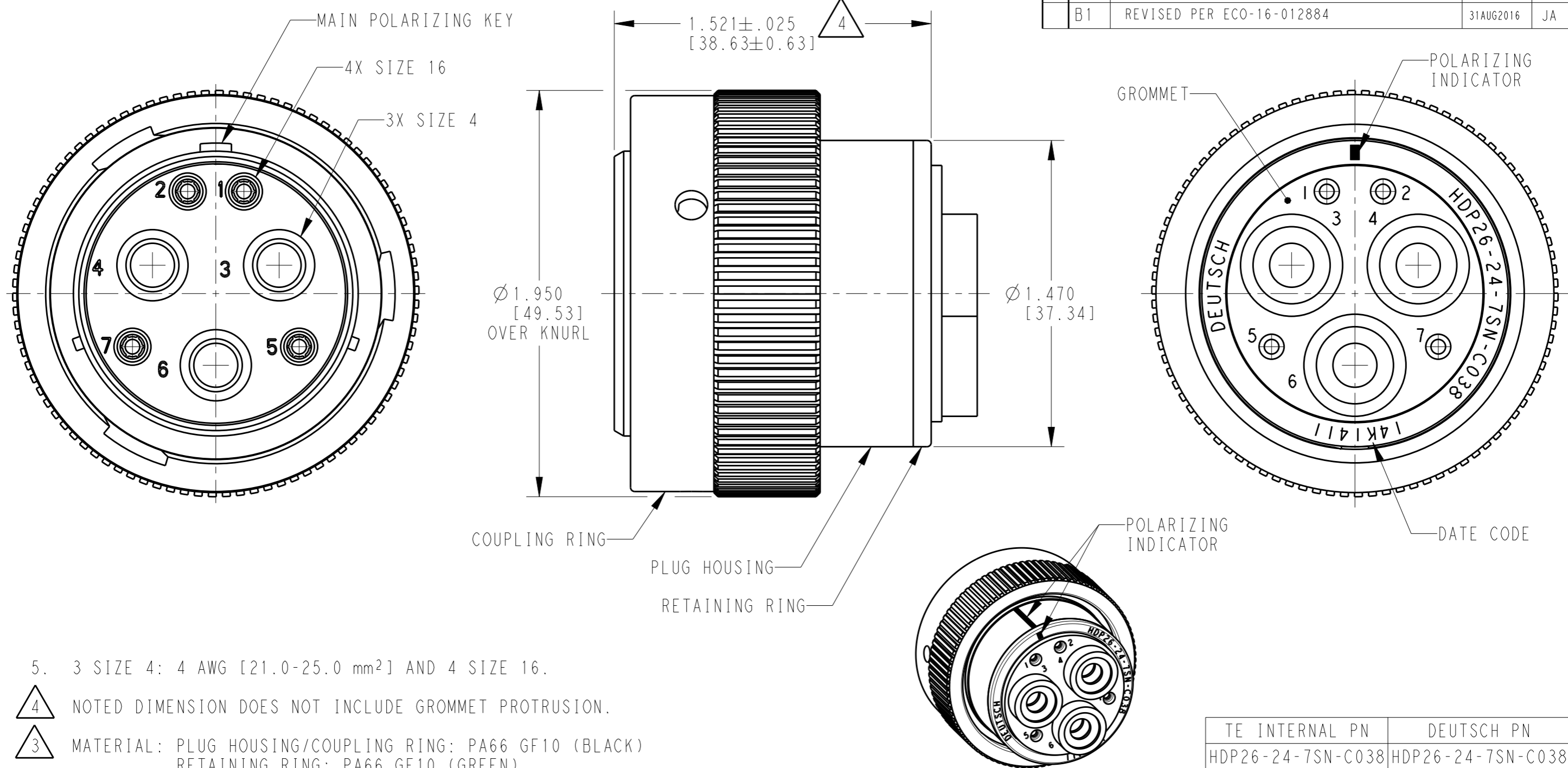


LOC	DIST	REVISIONS			
P	LTR	DESCRIPTION	DATE	DWN	APVD
		NC	NEW RELEASE PER E.O. P20485	06AUG2010	IG RDR
		A	REVISED PER E.O. P20776	04FEB2011	IG RDR
		B	REVISED PER ECO-15-005416	22JUL2015	JA DM
		B1	REVISED PER ECO-16-012884	31AUG2016	JA DM



- 5. 3 SIZE 4: 4 AWG [21.0-25.0 mm²] AND 4 SIZE 16.
- △4 NOTED DIMENSION DOES NOT INCLUDE GROMMET PROTRUSION.
- △3 MATERIAL: PLUG HOUSING/COUPLING RING: PA66 GF10 (BLACK)
RETAINING RING: PA66 GF10 (GREEN)
GROMMET: SILICONE (ORANGE-RED)

△2 SEE 0425-021-0000 APPLICATION SPECIFICATION
 A. RECOMMENDED WIRE INSULATION RANGE
 B. CONTACT REMOVAL TOOL

1. THIS PLUG MATES WITH HDP24-24-7PX-XXXX RECEPTACLE
 X = SEAL TYPE (N,T,E)
 XXXX = MODIFICATION

NOTES:

TE INTERNAL PN	DEUTSCH PN
HDP26-24-7SN-C038	HDP26-24-7SN-C038

THIS DRAWING IS A CONTROLLED DOCUMENT.		DWN 01APR2010 ILINA GRANICHAROVA		TE Connectivity	
DIMENSIONS: INCHES [mm]		CHK 05AUG2010 BRICE BYFORD			
TOLERANCES UNLESS OTHERWISE SPECIFIED:		APVD 05AUG2010 STEVE BEARD		NAME PLUG CONNECTOR SHELL SIZE 24, -C038 MOD HDP SERIES	
0 PLC ± 1 PLC ± 2 PLC ± 3 PLC ±.015 [0.38] 4 PLC ±		PRODUCT SPEC 0425-021-0000		SIZE A3	
MATERIAL △3		FINISH		CAGE CODE 4AFU8	
		APPROVALS △2		DRAWING NO HDP26-24-7SN-C038	
		WEIGHT 52.08g		RESTRICTED TO -	
		Customer Drawing		SCALE 2:1	
				SHEET 1 OF 1	
				REV B1	