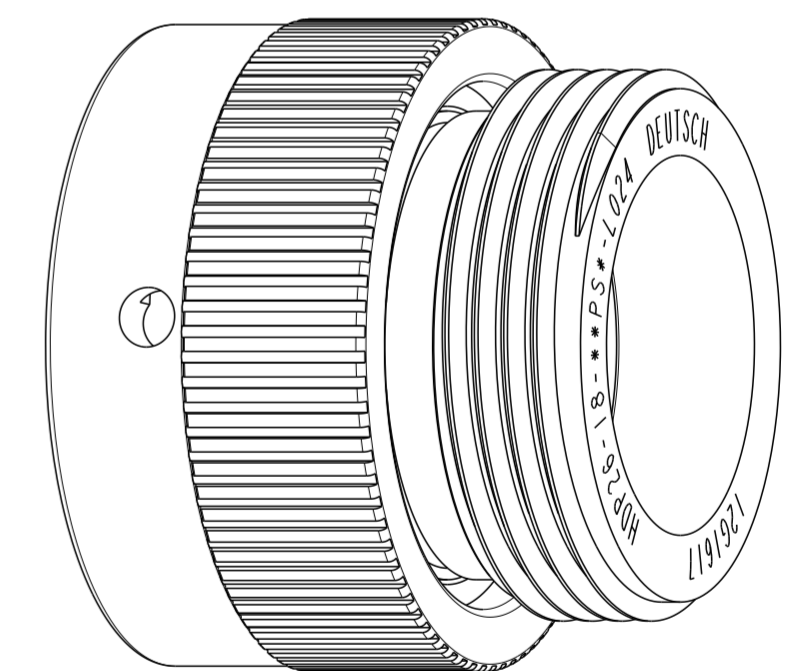
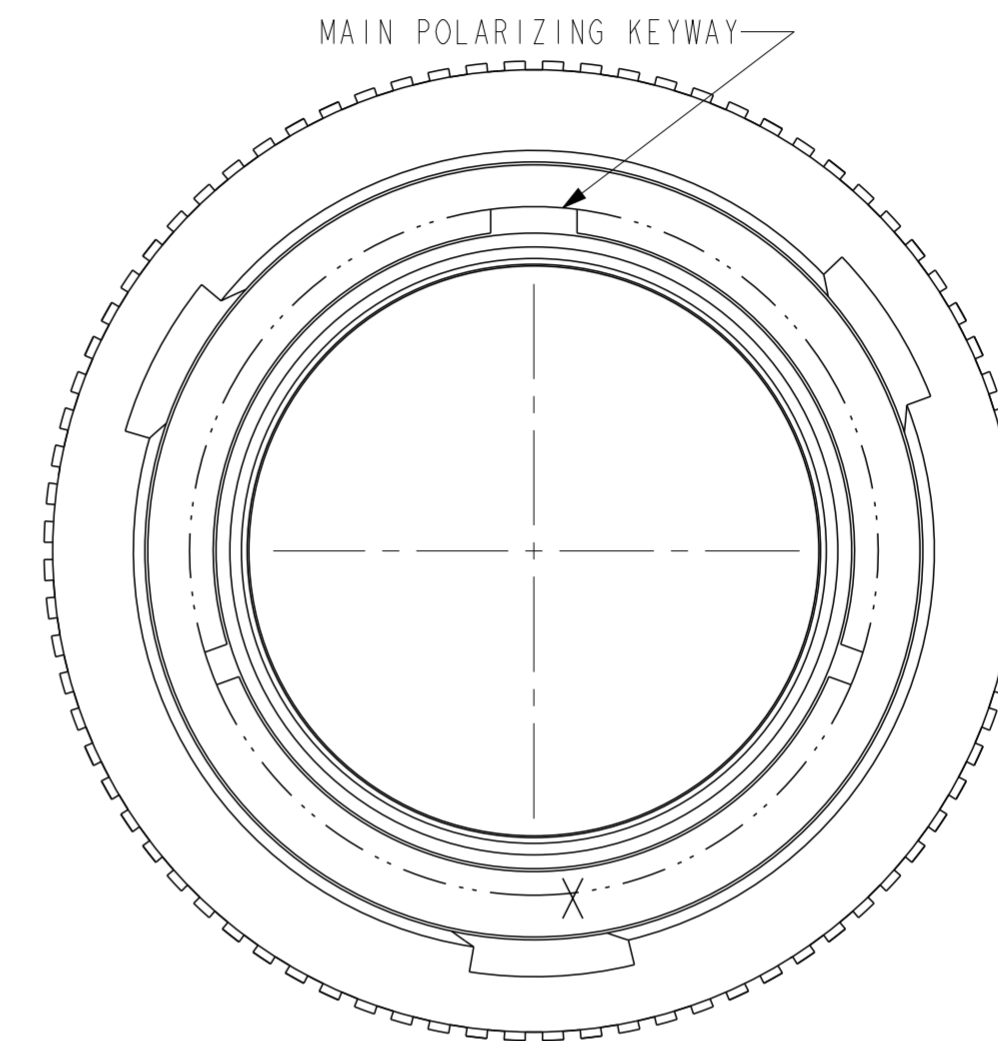
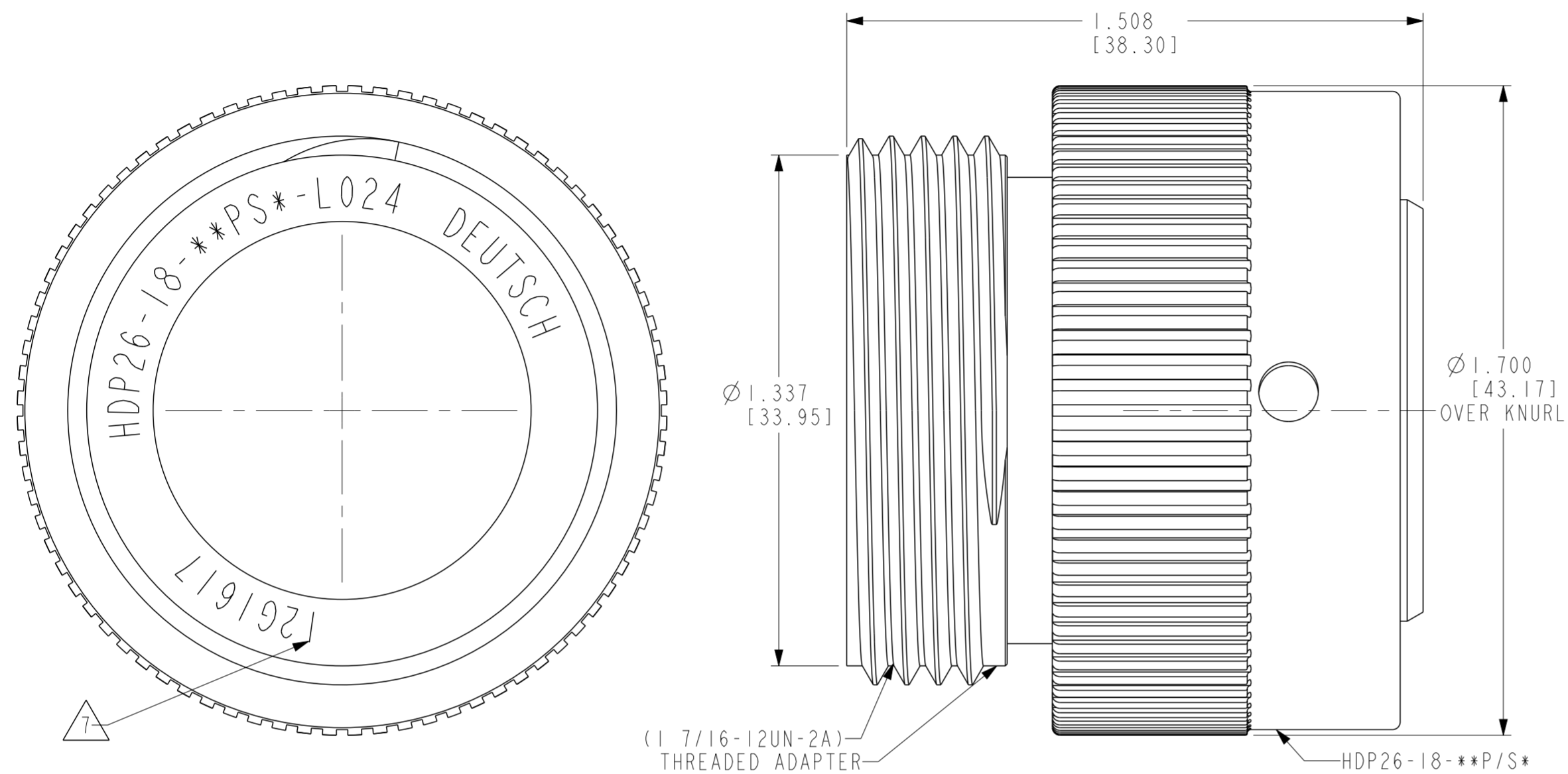


REVISIONS					
P	LTR	DESCRIPTION	DATE	DWN	APVD
NC		NEW RELEASE PER E.O. P21416	24AUG2012	IG	DM
A		REVISED PER PCN E-19-015142	10OCT2019	EC	RM



3D VIEW

7. DATE CODE: IDENTIFIES THE YEAR, MONTH, DAY AND HOUR OF ASSEMBLY.
 YEAR: FIRST AND SECOND DIGITS. (14 = 2014)
 MONTH: THIRD DIGIT, EXCLUDING I. A = JAN., B = FEB., C = MARCH... (K = OCT.)
 DAY: FOURTH AND FIFTH DIGITS (14 = 14th DAY)
 HOUR: SIXTH AND SEVENTH DIGITS (11 = 11AM)

6. MATERIAL: SHELL - PA66 GF30, SEAL - MQ

- THIS PLUG MATES WITH HDP24-18-**P/S*-**** (****=ALL MODIFICATIONS)
- THREADED ADAPTER COLOR REFLECTS WIRE SEAL DIAMETER. (GREEN='N' SEAL; GREY='T' SEAL; BLUE='E' SEAL)
- FOR PERFORMANCE AND APPLICATION CHARACTERISTICS SEE ENVELOPE DRAWING 0425-021-0000.
- FOR CONTACTS AND WIRE PERFORMANCE AND APPLICATION CHARACTERISTICS SEE ENVELOPE DWG. 0425-015-0000.
- FOR CONTACT ARRANGEMENTS, SEE ENVELOPE DRAWING 0425-013-1800.

THIS DRAWING IS A CONTROLLED DOCUMENT.		DWN 18 JUL 2012 I. GRANICHAROVA	TE Connectivity	
DIMENSIONS: IN [MM]		CHK 23 AUG 2012 I. GRANICHAROVA		
TOLERANCES UNLESS OTHERWISE SPECIFIED:		APVD 24 AUG 2012 D. MEYER	NAME PLASTIC PLUG CONNECTOR BAYONET COUPLING HDP SERIES, SIZE 18 -L024 MOD	
0 PLC ±		PRODUCT SPEC 108-151015	SIZE A2	CAGE CODE 00779
1 PLC ±		APPLICATION SPEC 114-151015	DRAWING NO. C-HDP26-18-XXP/SX-L024	RESTRICTED TO
2 PLC ±0.025 [0.64]		WEIGHT -	SCALE 3:1	SHEET 1 OF 1
3 PLC ±		CUSTOMER DRAWING	REV A	
4 PLC ±				
ANGLES ±0° 30'				
FINISH -				