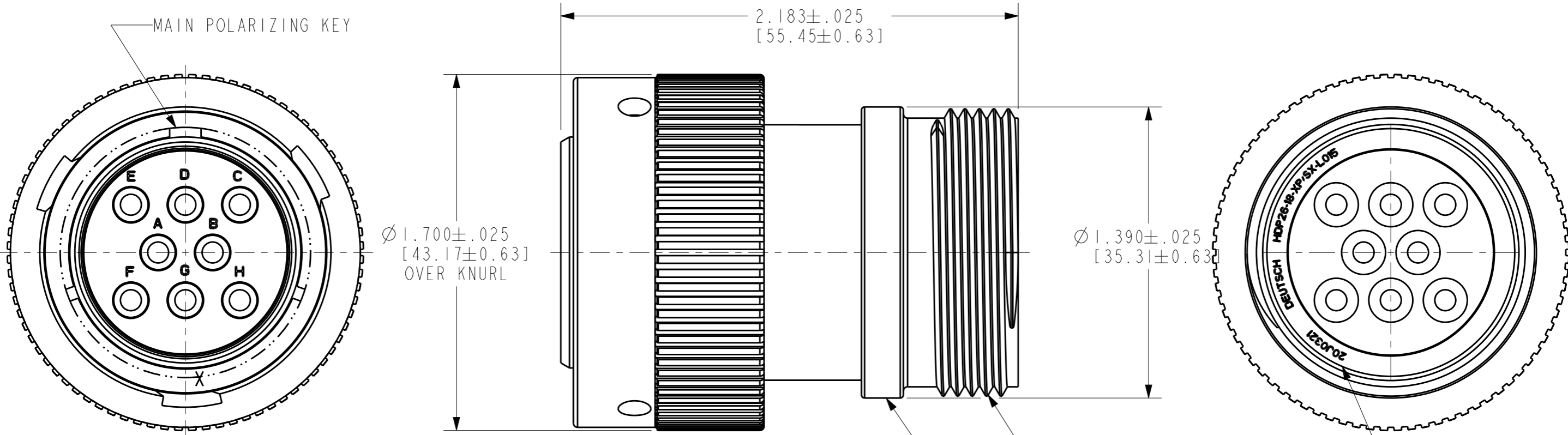
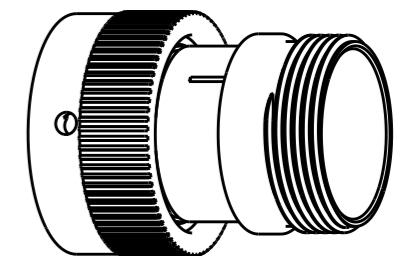


P	LTR	DESCRIPTION	DATE	DWN	APVD
NC		NEW RELEASE PER E.O. P19981	09SEP2008	-	DN
A		REVISED PER E.O. P20028	17NOV2008	-	RDR
B		REVISED PER E.O. P20191	31MAR2009	-	RDR
BI		REVISED PER PCN E-20-013840	18SEP2020	MK	IG



8 DATE CODE: IDENTIFIES THE YEAR, MONTH, DAY AND HOUR OF ASSEMBLY.
 YEAR: FIRST AND SECOND DIGITS. (14=2014)
 MONTH: THIRD DIGIT, EXCLUDING I.A=JAN., B=FEB., C=MARCH... (K=OCT.)
 DAY: FOURTH AND FIFTH DIGIT (14=14th DAY)
 HOUR: SIXTH AND SEVENTH DIGIT (11=11AM)

- 7. 18-8 ARRANGEMENT SHOWN FOR REFERENCE ONLY.
- 6. FOR PERFORMANCE AND APPLICATION CHARACTERISTICS SEE ENVELOPE DRAWING 0425-021-0000.
- 5. PART NUMBER INFO: **=ARRANGEMENT; *=SEAL TYPE.
- 4. THIS PLUG MATES WITH HDP24-18-***P/S*-***** (*****=ALL MODIFICATIONS)
- 3. FOR CONTACTS AND WIRES PERFORMANCE AND APPLICATION CHARACTERISTICS SEE ENVELOPE DWG. 0425-015-0000.
- 2. CONDUIT ADAPTER COLOR REFLECTS WIRE SEAL DIAMETER. (GREEN='N' SEAL; GREY='T' SEAL; BLUE='E' SEAL)
- 1. FOR ARRANGEMENTS SEE ENVELOPE DRAWING 0425-013-1800.



3D VIEW

THIS DRAWING IS A CONTROLLED DOCUMENT.		DWN 12SEP2007 I. GRANTCHAROVA															
DIMENSIONS: INCH [MM]		CHK 31MAR2009 R. MESSENGER															
TOLERANCES UNLESS OTHERWISE SPECIFIED:		APVD 31MAR2009 S. BEARD		NAME PLASTIC PLUG CONNECTOR BAYONET COUPLING HDP SERIES SIZE 18 -L015 MOD													
<table border="1"> <tr> <td>0 PLC</td> <td>±-</td> </tr> <tr> <td>1 PLC</td> <td>±-</td> </tr> <tr> <td>2 PLC</td> <td>±-</td> </tr> <tr> <td>3 PLC</td> <td>±.025</td> </tr> <tr> <td>4 PLC</td> <td>±-</td> </tr> <tr> <td>ANGLES</td> <td>±-</td> </tr> </table>		0 PLC	±-	1 PLC	±-	2 PLC	±-	3 PLC	±.025	4 PLC	±-	ANGLES	±-	PRODUCT SPEC 108-151015		SIZE A3	
0 PLC	±-																
1 PLC	±-																
2 PLC	±-																
3 PLC	±.025																
4 PLC	±-																
ANGLES	±-																
MATERIAL		APPLICATION SPEC 114-151015		CAGE CODE 00779													
FINISH		WEIGHT 187.7 g		DRAWING NO HDP26-18-XXPSX-L015													
		CUSTOMER DRAWING		RESTRICTED TO													
		SCALE 1.000		SHEET 1 OF 1													
				REV BI													