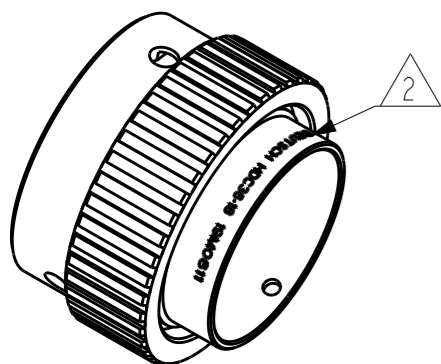
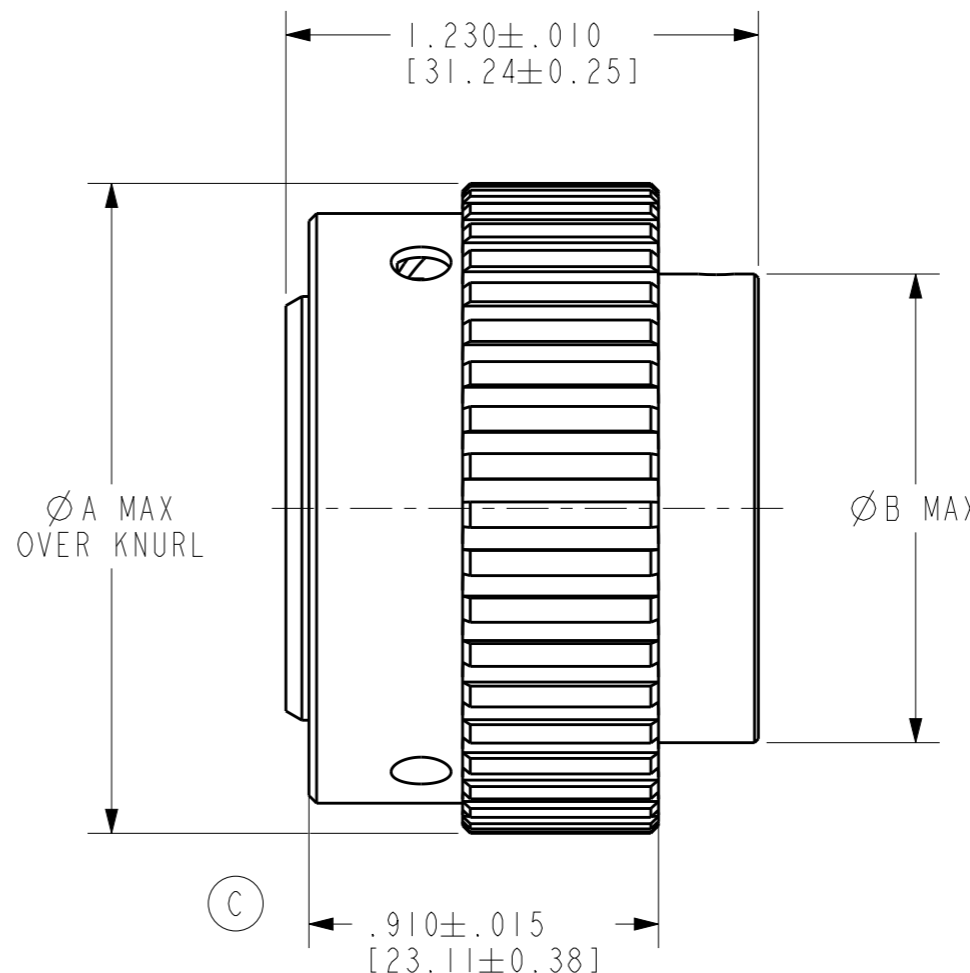
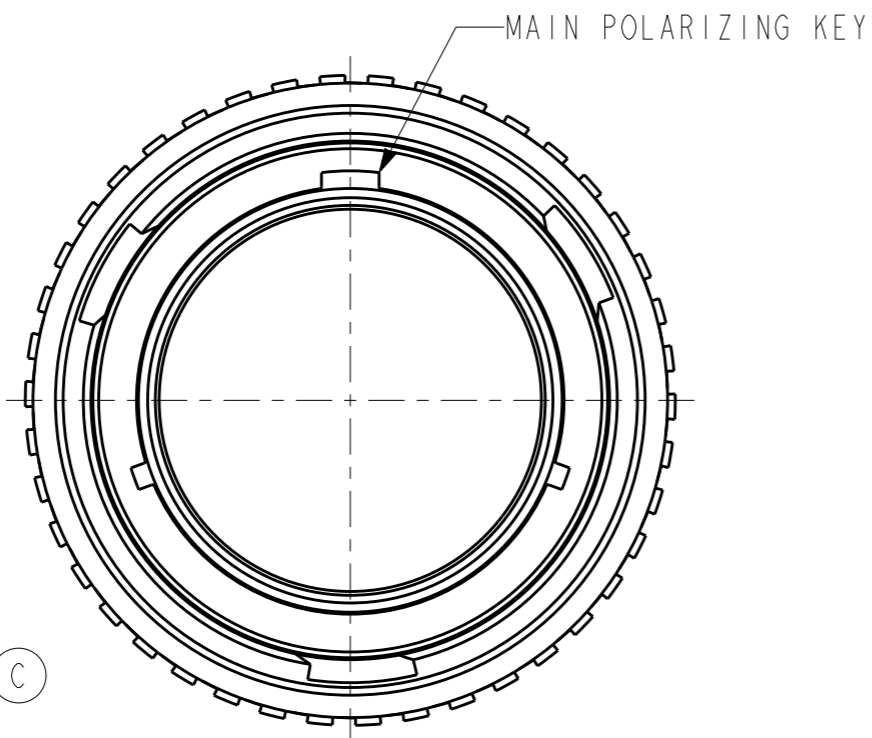


THIS DRAWING IS UNPUBLISHED
RELEASED FOR PUBLICATION
20
COPYRIGHT 2020 TE Connectivity. All Rights Reserved. ALL RIGHTS RESERVED.

LOC	DIST	REVISIONS					
		P	LTR	DESCRIPTION	DATE	DWN	APVD
-	-		NC	NEW RELEASE PER E.O. A1414	5/16/84	XS	CM
			A	REVISED PER E.O. P18374	10/29/13	XS	RDR
			B	REVISED PER E.O. P21217	12-9-11	XS	RDR
			C	REVISED PER E-20-008459	05MAY2020	CO	IG



3D VIEW (C)



SHELL SIZE XX	ØA MAX.	ØB ±.010 [±.254]
18	1.692 [42.97]	1.220 [30.98]
24	1.942 [49.32]	1.470 [37.33]

(2) DATE CODE: IDENTIFIES THE YEAR, MONTH, DAY AND HOUR OF ASSEMBLY. (C)
 YEAR: FIRST AND SECOND DIGIT (19 = 2019).
 MONTH: THIRD DIGIT, EXCLUDING "1", A=JAN, B=FEB, ...M=DEC.
 DAY: FOURTH AND FIFTH DIGITS (06 = 6th DAY)
 HOUR: SIXTH AND SEVENTH DIGITS (11 = 11AM).

(1) MATERIAL: SHELL - ALUMINUM.

NOTES:

THIS DRAWING IS A CONTROLLED DOCUMENT.		DWN X. SANCHEZ 28OCT03	TE Connectivity	
DIMENSIONS: INCH [mm]		CHK B. BYFORD 12/09/2011		
TOLERANCES UNLESS OTHERWISE SPECIFIED:		APVD S. BEARD 12/6/11	NAME COVER PROTECTIVE BAYONET COUPLING TO MATE WITH RECEPTACLE	
0 PLC ±- 1 PLC ±- 2 PLC ±- 3 PLC ±0.010 4 PLC ±- ANGLES ±0° 30' 0"		PRODUCT SPEC -	SIZE A3	
MATERIAL (1)		APPLICATION SPEC -	CAGE CODE 11139	DRAWING NO. C-HDC36-XXIE
FINISH		WEIGHT -	RESTRICTED TO -	
		CUSTOMER DRAWING	SCALE 2:1	SHEET 1 OF 1 REV C