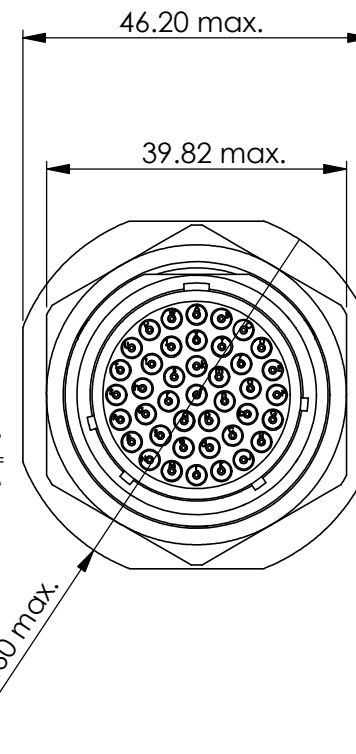
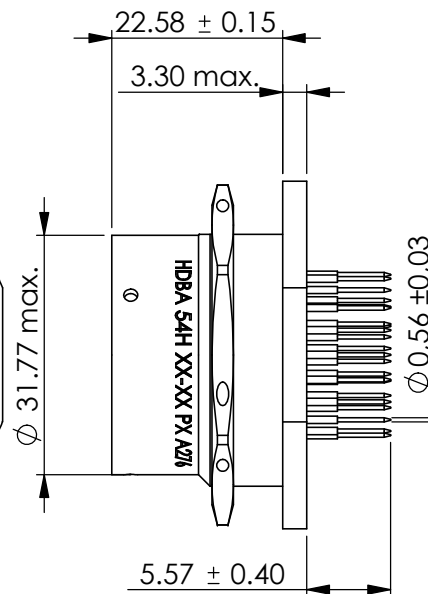
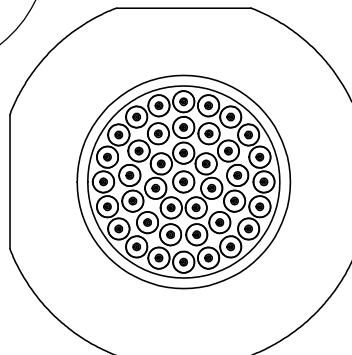
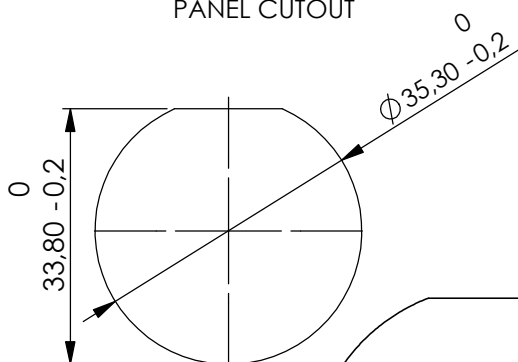
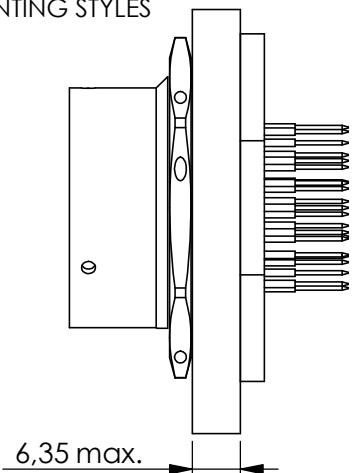


HDBA 54H 20-41 PN 01 A276

MODE DE FIXATION
MOUNTING STYLES

PERCAGE PANNEAU
PANEL CUTOUT

EX



Bayonet coupling
Interchangeability: UTE C 93422 models HE 302, HE 303

TECHNICAL CHARACTERISTICS

MATERIEL: Shell : Aluminium alloy
Contact : Copper alloy - PCB type
Insert : sintered glass

PLATING: Shell : 01 = Nickel
Contact : gold over nickel

DURABILITY: 500 full coupling and uncoupling cycles

SERVICE TEMPERATURE: -55°C to +200°C

HELIUM LEAKAGE: < 1.10⁻⁴ mbar/s

SERVICE VOLTAGE: 500 V eff 50 Hz

MAXI CONTACT CURRENT: size 20: 7.5 A

INSULATION RESISTANCE: > to 5000 Mohms to 20°C AND 65 % HR

Ø	01/09/05	CREATION	SERIE	HDBA 54H	DATE	01/09/05	VISA Creation Created	OVERLACK	VISA Approbation Approval
Revision	Date	Observations	DESIGNATION	EMBASE HERMETIQUE ALU NICKELEE		REF: P/N:	HDBA 54H 20-41 PN 01 A276		
ORIGINE : -----									



Connecteurs Electriques Deutsch

17, rue LAVOISIER - BP 117 - 27091 EVREUX CEDEX 9 - FRANCE

**FICHE TECHNIQUE
TECHNICAL DATA SHEET**

204-19-A/F00