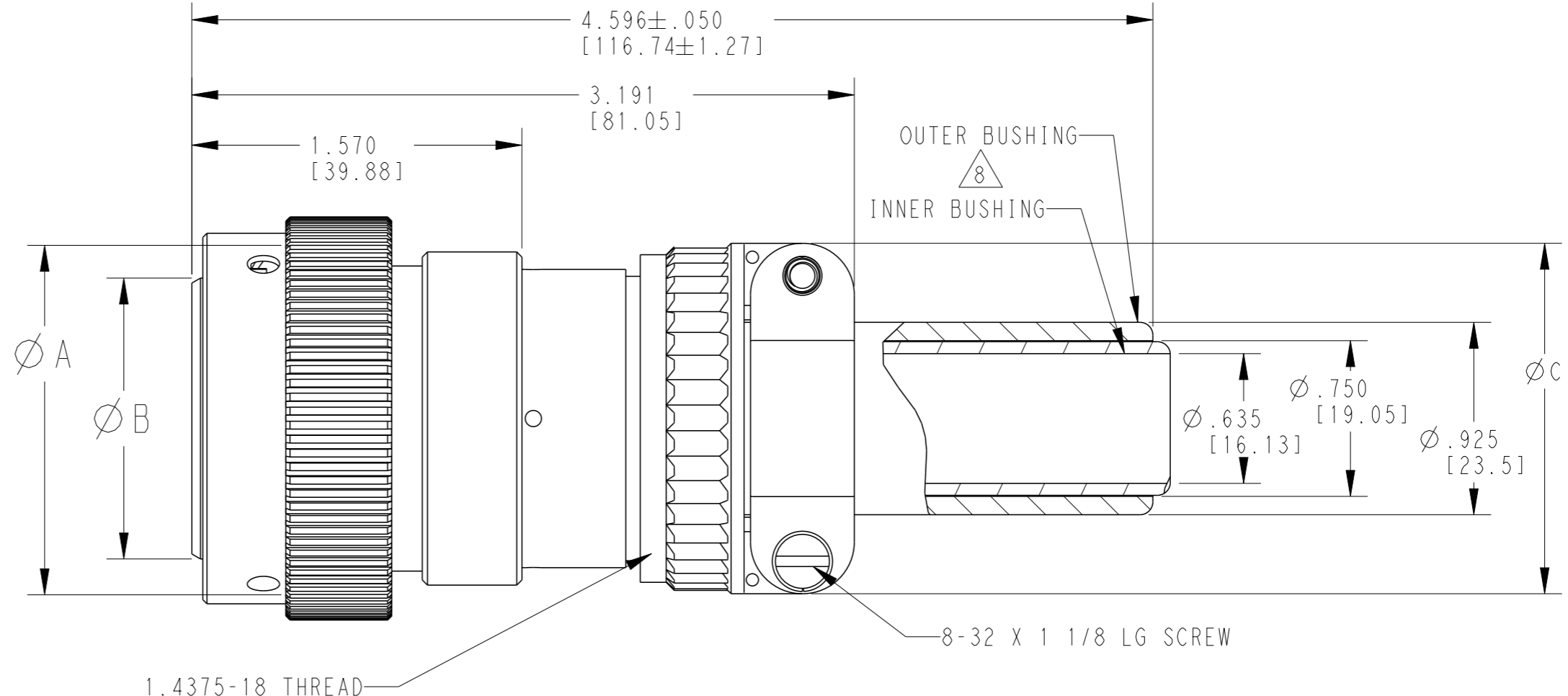
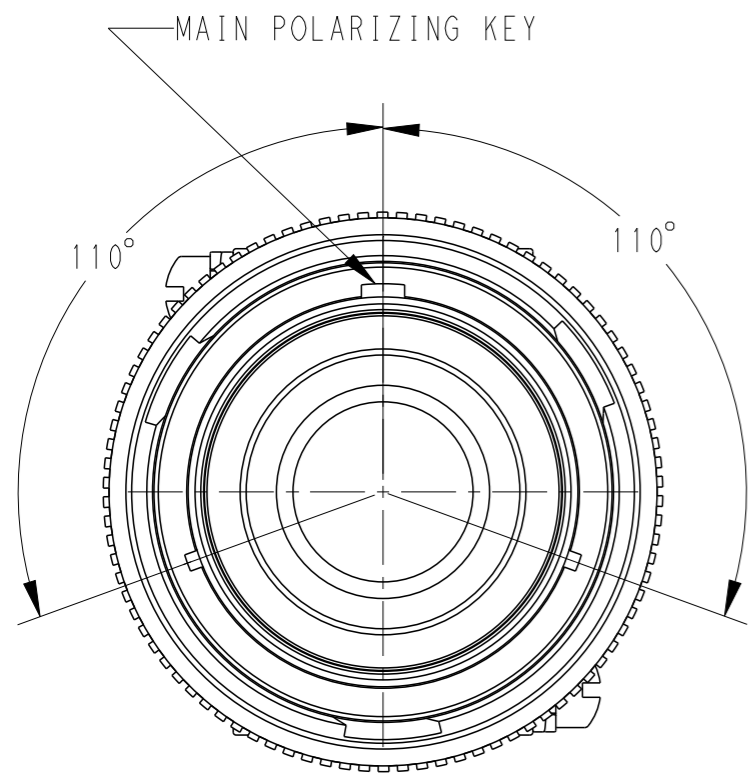


© 2023 TE Connectivity. All Rights Reserved.

REVISIONS

SIZE	Ø A ^{+0.000} / _{-.100} [^{+0.000} / _{-.254}]	Ø B	Ø C
18	1.692 [42.98]	1.103 [28.02]	1.470 [37.34]
24	1.942 [49.32]	1.353 [34.37]	1.688 [42.88]

P	LTR	DESCRIPTION	DATE	DWN	APVD
	NC	NEW RELEASE PER E.O. P20357	3-1-10	RM	RDR
	A	REVISED PER PCN-23-174647	02MAY2023	CO	IG



△ OUTER BUSHING ONLY ON SIZE 24.

7. THIS CONNECTOR MATES WITH HD34-**₁-**₂P/S*-*****

(**₁ = SIZE, **₂ = ALL ARRANGEMENTS EXCEPT 91, * = SEAL TYPE,

**** = ALL MODIFICATIONS).

- 6. BREAKAWAY FUNCTION OCCURS AT AN AXIAL LOAD OF 50 TO 100 LBS.
- 5. CABLE CLAMP ACCEPTS CABLE O.D. Ø .300 MIN. THRU Ø .948 MAX.
- 4. FOR CONTACTS AND WIRES PERFORMANCE AND APPLICATION CHARACTERISTICS SEE ENVELOPE DRAWING 0425-015-0000.
- 3. FOR ARRANGEMENT OF CONTACT LOCATION SEE ENVELOPE DRAWING 0425-014-2400 AND 0425-013-1800.
- 2. FOR PERFORMANCE AND APPLICATION CHARACTERISTICS SEE ENVELOPE DRAWING 0425-016-0000.
- 1. CONSULT THE FACTORY FOR ELECTRICAL AND MATERIAL SPECIFICATIONS.

NOTES:

THIS DRAWING IS A CONTROLLED DOCUMENT.		DWN R. MESSENGER 9NOV05	TE Connectivity													
DIMENSIONS: INCH [mm]		CHK B. BYFORD 3/1/10														
TOLERANCES UNLESS OTHERWISE SPECIFIED:		APVD S. BEARD 3-1-10	NAME PLUG CONNECTOR SHELL SIZE 18 AND 24 BAYONET COUPLING HDB SERIES													
<table border="0"> <tr><td>0 PLC</td><td>±</td></tr> <tr><td>1 PLC</td><td>±</td></tr> <tr><td>2 PLC</td><td>±</td></tr> <tr><td>3 PLC</td><td>±.025 [1.63]</td></tr> <tr><td>4 PLC</td><td>±</td></tr> <tr><td>ANGLES</td><td>±</td></tr> </table>		0 PLC	±	1 PLC	±	2 PLC	±	3 PLC	±.025 [1.63]	4 PLC	±	ANGLES	±	PRODUCT SPEC 108-151014	SIZE A3	
0 PLC	±															
1 PLC	±															
2 PLC	±															
3 PLC	±.025 [1.63]															
4 PLC	±															
ANGLES	±															
MATERIAL		APPLICATION SPEC 114-151014	CAGE CODE 11139	DRAWING NO. C-HDB36-XX-XXP/SX-059												
FINISH		WEIGHT	RESTRICTED TO													
		CUSTOMER DRAWING	SCALE NONE	SHEET 1 OF 1 REV A												