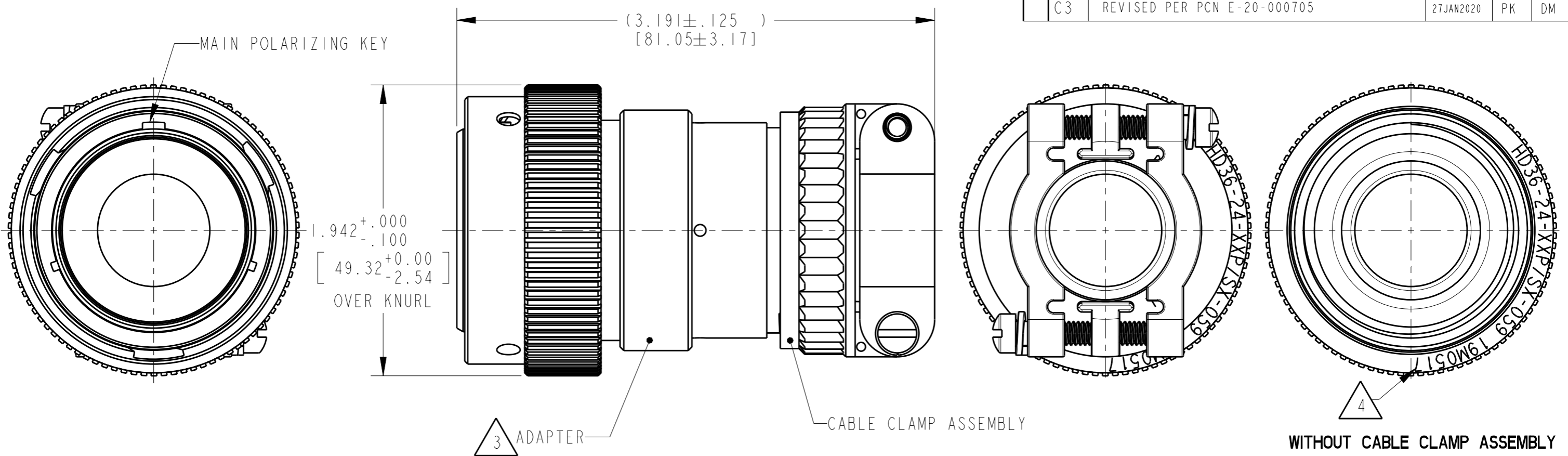


THIS DRAWING IS UNPUBLISHED  
 RELEASED FOR PUBLICATION 2015  
 © COPYRIGHT 2015 BY TE CONNECTIVITY ALL RIGHTS RESERVED.

| LOC | DIST | P | LTR | DESCRIPTION                 | DATE      | DWN | APVD |
|-----|------|---|-----|-----------------------------|-----------|-----|------|
| -   | -    |   | C   | REVISED PER E.O. P21009     | 19JUL2011 | -   | RDR  |
|     |      |   | C1  | REVISED PER ECO-15-001798   | 19MAR2015 | PV  | RDR  |
|     |      |   | C2  | REVISED PER PCN-19-015890   | 11OCT2019 | AP  | IG   |
|     |      |   | C3  | REVISED PER PCN E-20-000705 | 27JAN2020 | PK  | DM   |



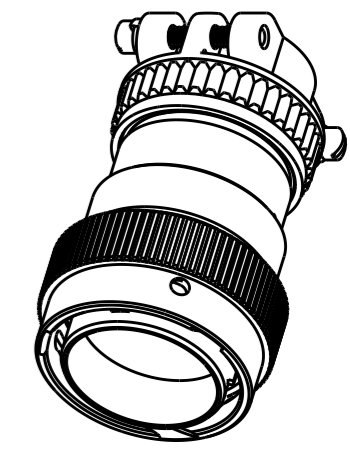
4 DATE CODE: IDENTIFIES THE YEAR, MONTH, DAY AND HOUR OF ASSEMBLY.  
 YEAR: FIRST AND SECOND DIGITS. (14=2014)  
 MONTH: THIRD DIGIT, EXCLUDING I. A=JAN., B=FEB., C=MARCH... (K=OCT.)  
 DAY: FOURTH AND FIFTH DIGITS (14=14th DAY)  
 HOUR: SIXTH AND SEVENTH DIGITS (11=11AM)

3 MATERIAL:  
 ADAPTER: 6061-T6 ALUMINIUM ALLOY,  
 GROMMET: SILICONE VMQ (RED),  
 RETAINER RING: PA66 GF10.

2. THE CONNECTOR MATES WITH HD34-24-XXS/PX-XXXX  
 X = SEAL DESIGNATION, XX = NUMBER OF CAVITIES,  
 XXXX = MODIFICATION DESIGNATION.

1. SEE DRAWING 0425-014-2400 FOR ARRANGEMENT OF CONTACT LOCATION

NOTES:



3D VIEW

|   |  |                          |  |               |
|---|--|--------------------------|--|---------------|
| THIS DRAWING IS A CONTROLLED DOCUMENT.  |  | DWN X. SANCHEZ 17APR2003 |  |               |
| DIMENSIONS: INCHES [mm]   |  | CHK J. APOSTOL 13MAY2003 |  |               |
| TOLERANCES UNLESS OTHERWISE SPECIFIED:  |  | APVD R. REED 16MAY2003   | NAME   |               |
| 0 PLC ±-<br>1 PLC ±-<br>2 PLC ±-<br>3 PLC ±.010 [±.254]<br>4 PLC ±-<br>ANGLES ±° 30' 0" |  | PRODUCT SPEC 108-151014  | PLUG CONNECTOR, SHELL SIZE 24<br>BAYONET COUPLING, MOD -059<br>HD30 SERIES |               |
| MATERIAL 3  |  | FINISH -                 | APPLICATION SPEC 114-151014  | RESTRICTED TO |
|   |  | WEIGHT 144g              | SIZE A3  | CAGE CODE -   |
|   |  | Customer Drawing         | DRAWING NO. C=HD36-24-XXP/SX-059   | SCALE NONE    |
|   |  |                          | SHEET 1 OF 1   | REV C3        |