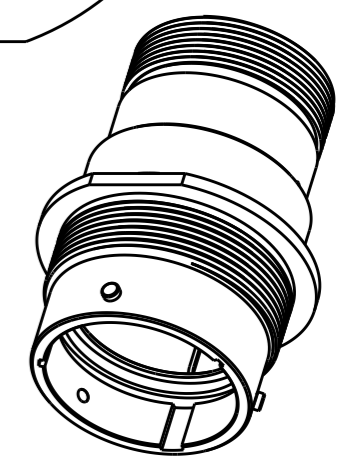
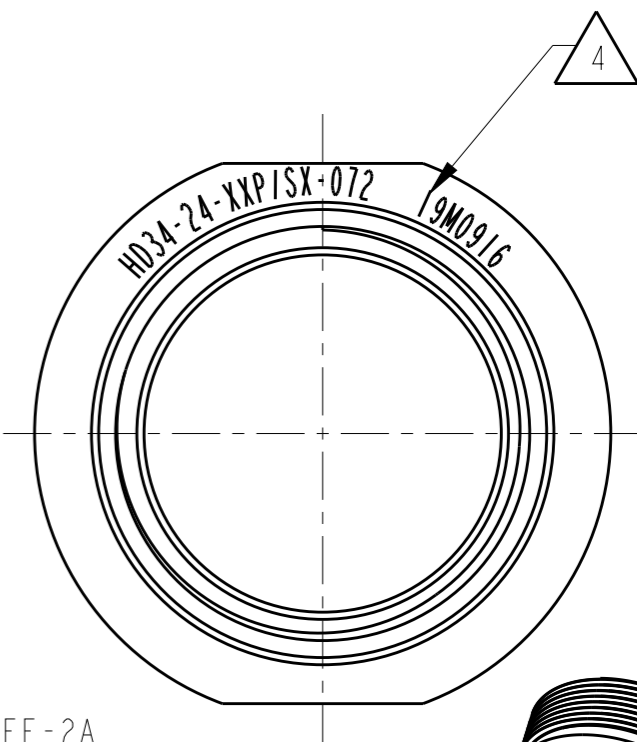
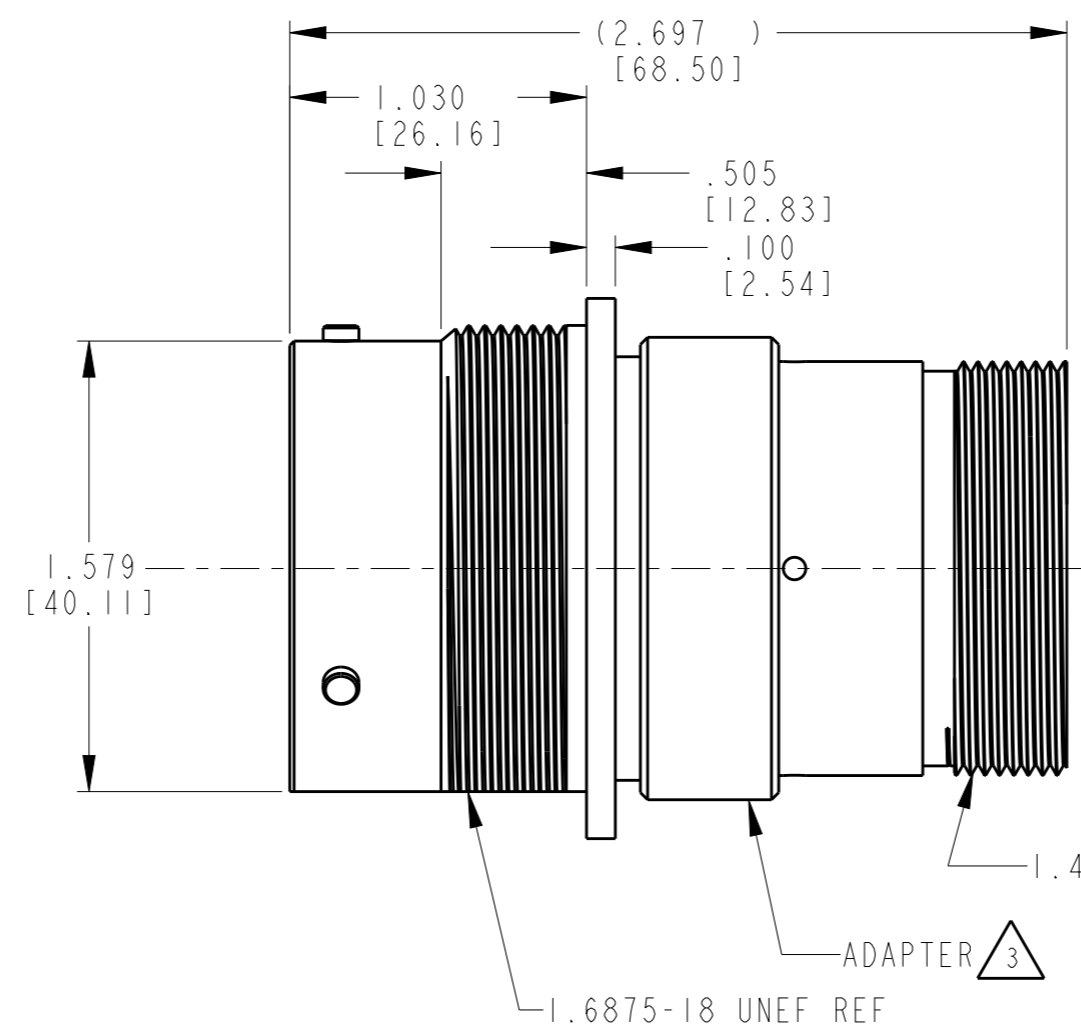
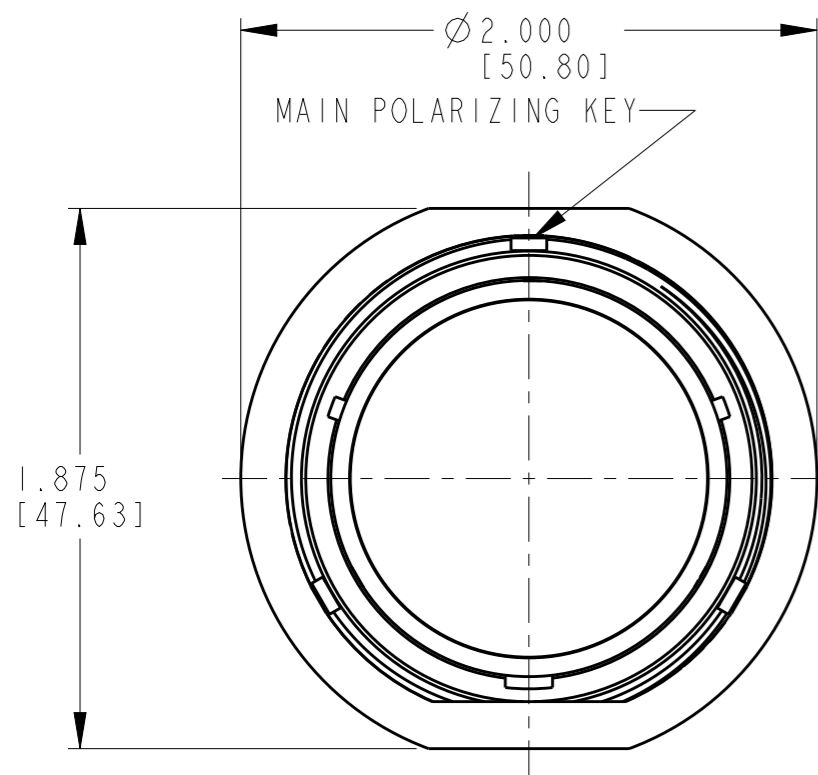


THIS DRAWING IS UNPUBLISHED. RELEASED FOR PUBLICATION 2015. © COPYRIGHT 2015 BY - TE CONNECTIVITY ALL RIGHTS RESERVED.

LOC	DIST	REVISIONS			
P	LTR	DESCRIPTION	DATE	DWN	APVD
-	-	A	REVISED PER ECO-15-001798	19MAR2015	VNB DM
		A1	REVISED PER PCN E-18-017798	26NOV2018	SS DM
		A2	REVISED PER PCN E-20-000705	28JAN2020	MK DM



3D VIEW

4 DATE CODE: IDENTIFIES THE YEAR, MONTH, DAY AND HOUR OF ASSEMBLY.  
 YEAR: FIRST AND SECOND DIGITS. (14=2014)  
 MONTH: THIRD DIGIT, EXCLUDING I.A=JAN., B=FEB., C=MARCH... (K=OCT.)  
 DAY: FOURTH AND FIFTH DIGIT (14=14TH DAY)  
 HOUR: SIXTH AND SEVENTH DIGIT (11=11AM)

3 MATERIAL:  
 RECEPTACLE HOUSING: 6061-T6 ALUMINUM ALLOY,  
 ADAPTER: 6061-T6 ALUMINUM ALLOY,  
 GROMMET: SILICONE VMQ (RED),  
 RETAINER RING: PA66 GF10.

2. THE CONNECTOR MATES WITH HD36-24-XXP/SX-XXXX  
 X - SEAL DESIGNATION, XX = NUMBER OF CAVITIES,  
 XXXX = MODIFICATION DESIGNATION.

1. FOR ARRANGEMENT OF CONTACT LOCATION  
 SEE ENVELOPE DRAWING 0425-014-2400.

NOTES:

THIS DRAWING IS A CONTROLLED DOCUMENT.		DWN I. GRANTCHAROVA 30 JUN 2011		TE Connectivity	
DIMENSIONS: INCHES [mm]		CHK B. BAYFORD 14 JUL 2011			
TOLERANCES UNLESS OTHERWISE SPECIFIED:		APVD S. BEARD 12 JUL 2011		NAME RECEPTACLE CONNECTOR	
0 PLC ±-		PRODUCT SPEC 108-151014		SHELL SIZE 24 BAYONET COUPLING	
1 PLC ±-		APPLICATION SPEC 114-151014		MOD -072 HD30 SERIES	
2 PLC ±-		WEIGHT 64g		SIZE A3	RESTRICTED TO -
3 PLC ±.010 [±.254]		Customer Drawing		CAGE CODE 4AFU8	DRAWING NO. HD34-24-XXP/SX-072
4 PLC ±-		SCALE NONE		SHEET 1 OF 1	REV A2
ANGLES ±° 30' 0"					
FINISH -					
MATERIAL 3					