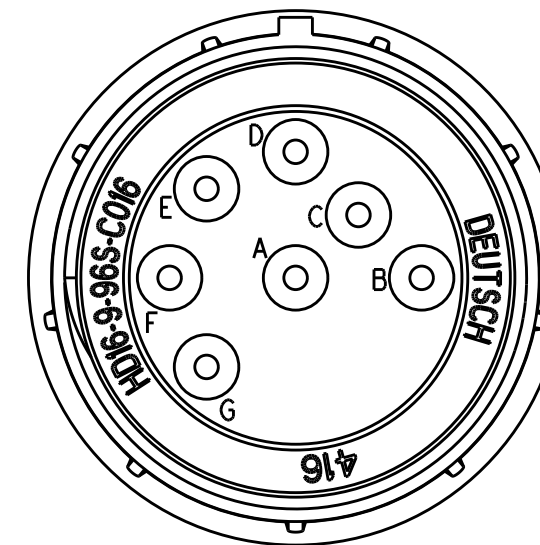
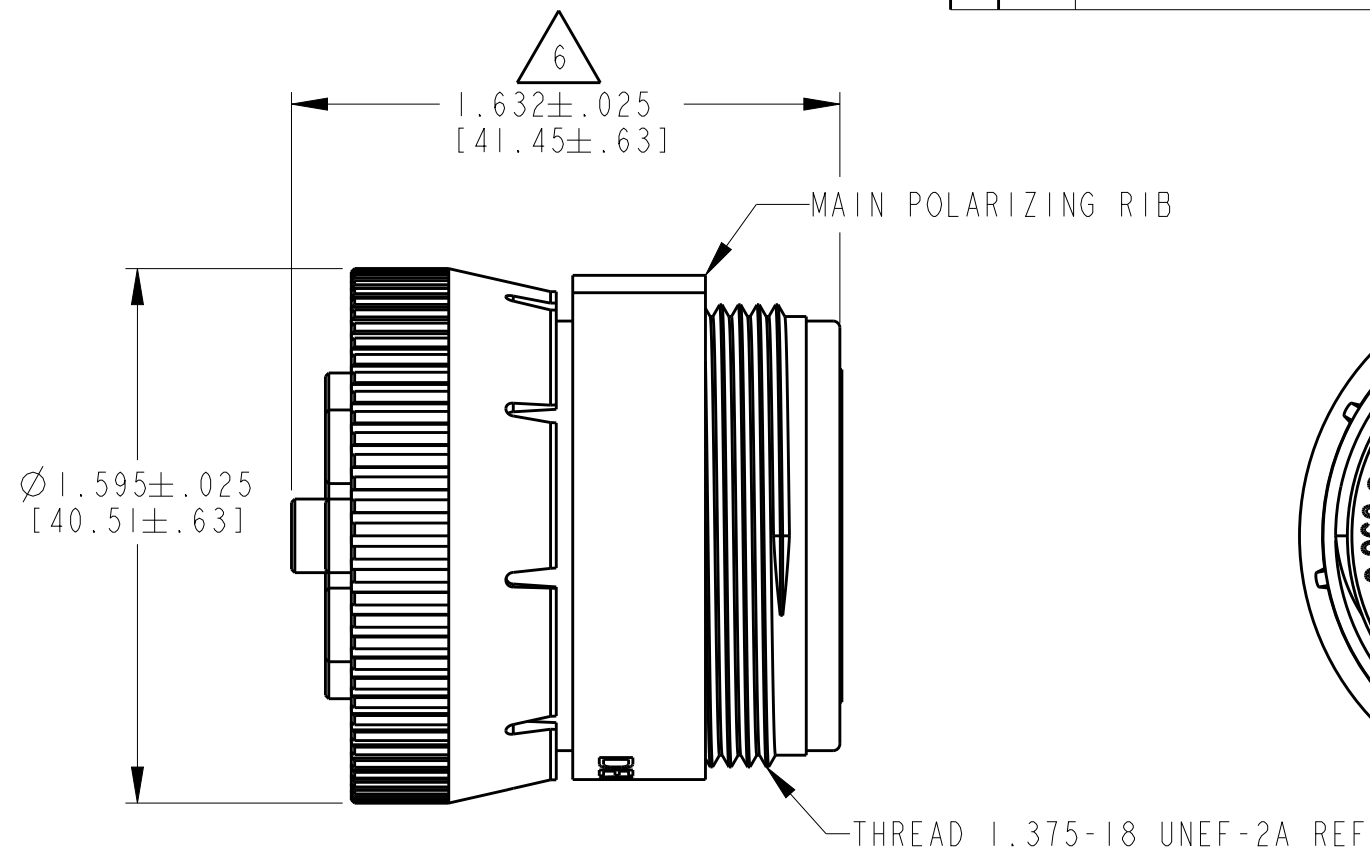
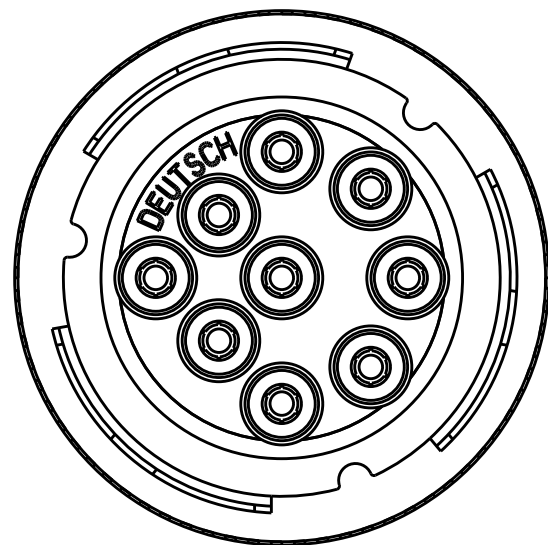
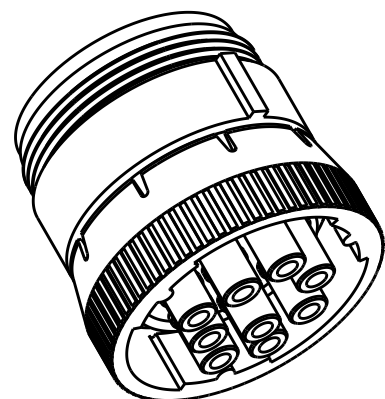


REVISIONS					
P	LTR	DESCRIPTION	DATE	DWN	APVD
	C1	REVISED PER PCN E-16-018195	15DEC2016	MGM	DM



6. OVERALL DIMENSIONS DOES NOT INCLUDE RUBBER GROMMET.

5. THIS PLUG MATES WITH HD10-9-96PX-XXXX AND HD14-9-96PX-XXXX RECEPTACLES (X = SEAL TYPE, XXXX = ALL MODIFICATIONS).

4. FOR "PERFORMANCE AND APPLICATION CHARACTERISTICS OF SOLID/STAMPED AND FORMED CONTACTS AND WIRES," SEE ENVELOPE DRAWING 0425-015-0000. THIS PLUG USES SOCKET CONTACTS ONLY.

3. DELETED.

2. THIS CONNECTOR SERIES WILL ACCOMMODATE THE FOLLOWING WIRE INSULATION DIAMETERS:

CONTACT SIZE	MINIMUM O.D.	MAXIMUM O.D.
16	.100 [2.54]	.150 [3.81]

1. CONSULT FACTORY FOR ELECTRICAL AND MATERIAL SPECIFICATIONS.

8. DATE CODE: EXAMPLE: 416
 4 = FOURTH QUARTER OF THE YEAR (1 THRU 4)
 16 = THE YEAR

7. MATERIAL: SHELL: PLASTIC; SEAL: RUBBER.

TE INTERNAL PN	DEUTSCH PN
HD16-9-96S-C016	HD16-9-96S-C016

THIS DRAWING IS A CONTROLLED DOCUMENT.		DWN J. HAYNES 08DEC1999			
DIMENSIONS: INCHES [mm]		CHK J. APOSTOL 26APR2004			
TOLERANCES UNLESS OTHERWISE SPECIFIED:		APVD S. BEARD 16APR2004	NAME PLUG CONNECTOR HD10 SERIES ARR. 9-96-C016 MOD. COLOR: GREY		
		PRODUCT SPEC -	SIZE A3		
MATERIAL		APPLICATION SPEC -	CAGE CODE 4AFU8	DRAWING NO HD16-9-96S-C016	RESTRICTED TO -
FINISH -		WEIGHT 37.6 (g)	SCALE 1.75:1		
		CUSTOMER DRAWING	SHEET 1 OF 1		
			REV C1		