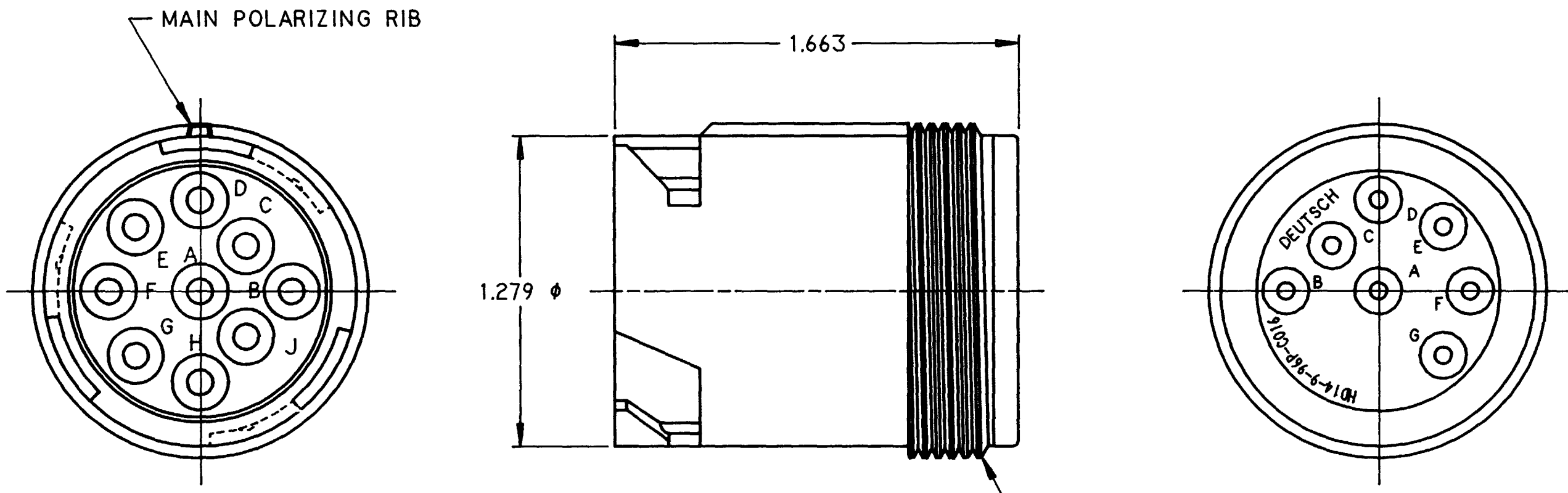


REV
NC HD14-9-96P-C016

REVISIONS			
SYM	DESCRIPTION	DATE	APPROVED
NC	NEW RELEASE PER E.O. A11152	8/27/91	<i>[Signature]</i>



- 4. DIMENSIONS ARE IN INCHES UNLESS OTHERWISE SPECIFIED.
- 3. THIS CONNECTOR SERIES WILL ACCOMMODATE THE FOLLOWING WIRE INSULATION DIAMETERS:

CONTACT SIZE	MIN. O.D.	MAX. O.D.	WIRE GAGE RANGE
16	.100	.150	18 THRU 14

- 2. CONSULT FACTORY FOR ELECTRICAL AND MATERIAL SPECIFICATIONS.
- 1. PERTINENT INFORMATION:

NOTES: 18 & 16 AWG POWER CONTACTS PIN 0460-202-16141.
16 & 14 AWG POWER CONTACTS PIN 0460-215-16141

SIGNATURE & DATE	
DR	C. WOODRUFF 08APR91
CHK	
PE	<i>[Signature]</i>
APPD	
SCALE	NONE
WT	

INLINE RECEPTACLE
HD 10 SERIES
ARR. 9-96
-C016 MOD.

ENVELOPE

CP	MATL. CODE
The Deutsch Company DEUTSCH I.P.D. 37140 INDUSTRIAL AVE. HEMET, CALIF. 92343	
B HD14-9-96P-C016	
DWG. SIZE	CODE 11139 SHEET 1 OF 1