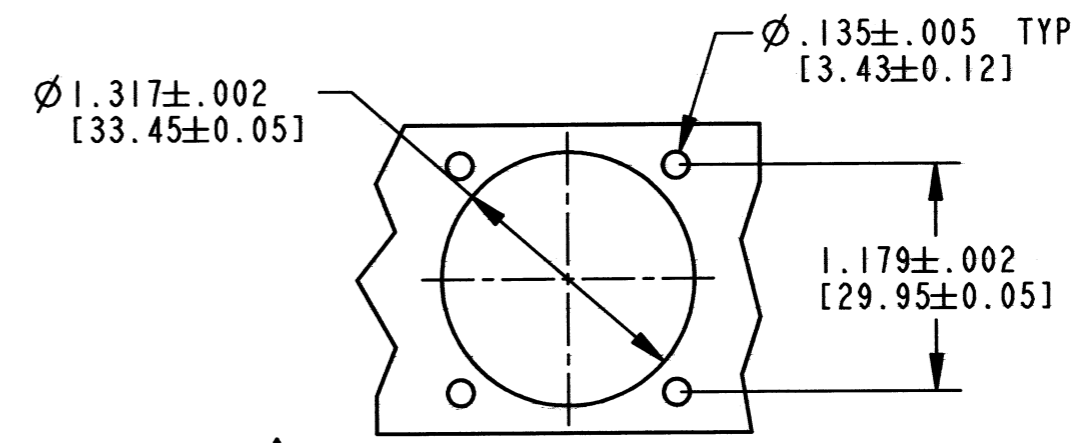
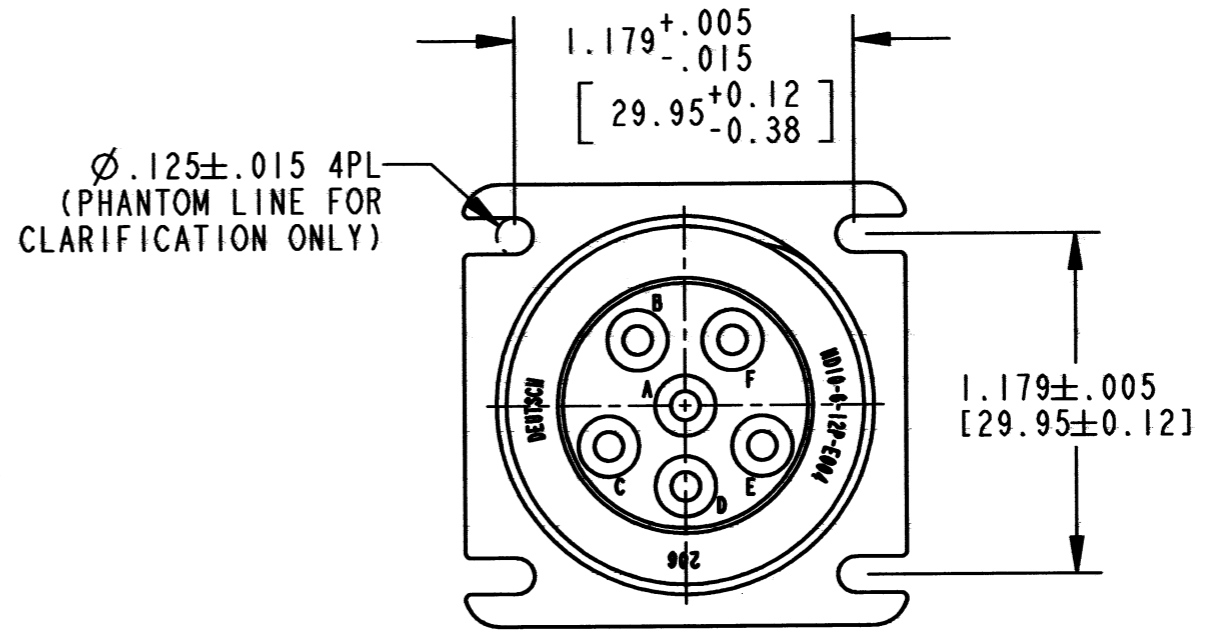
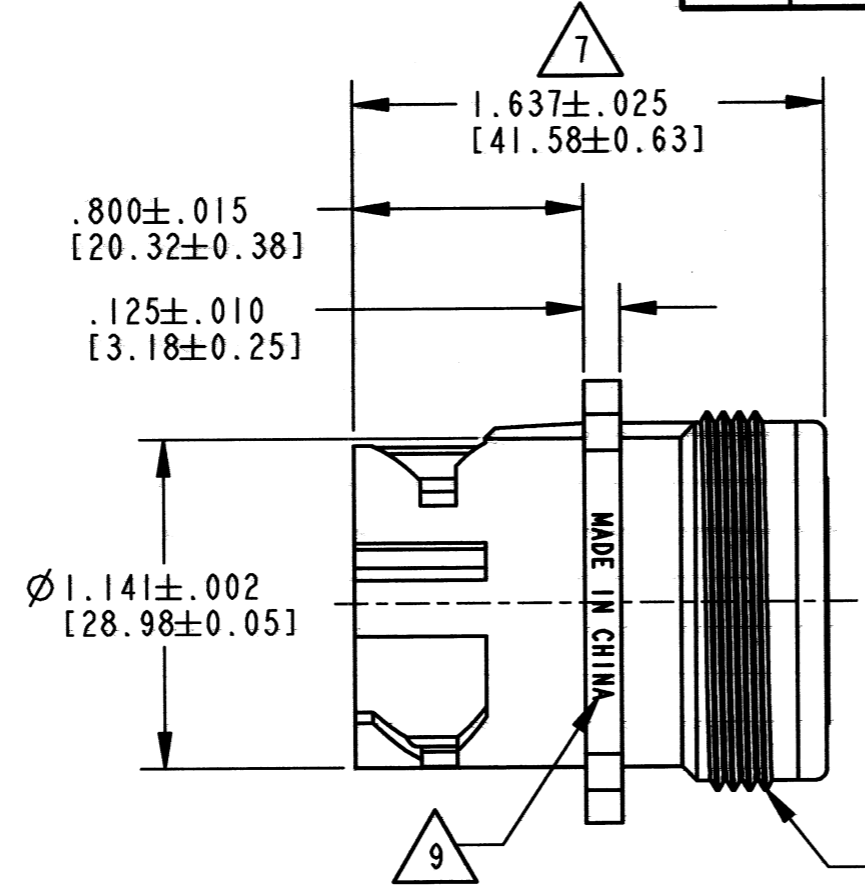
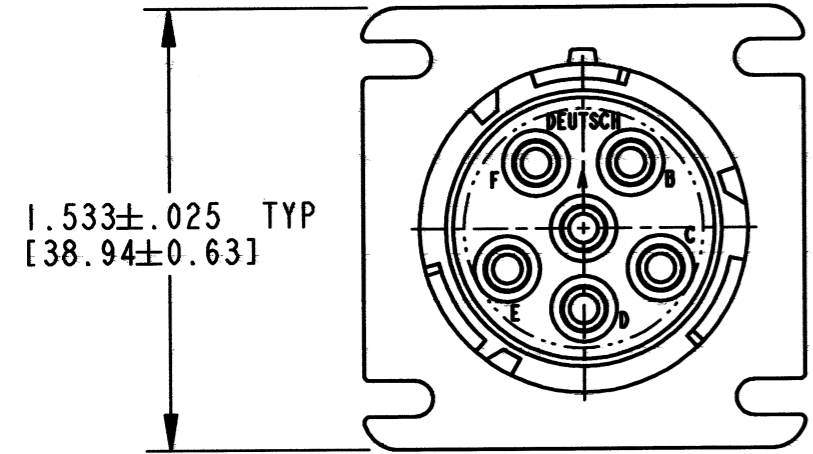


REV		REVISIONS			
NC	HD10-6-12P-E004	SYM	DESCRIPTION	DATE	APPROVED
NC			NEW RELEASE PER E.O. P20861	7-14-11	RAA



**4** RECOMMENDED PANEL CUTOUT

- 9. COUNTRY OF ORIGIN IF OTHER THAN USA. EXAMPLE: MADE IN CHINA
- 8. MATERIAL: SHELL: PLASTIC; SEAL: RUBBER.
- 7. OVERALL DIMENSION DOES NOT INCLUDE RUBBER GROMMET.
- 6. THIS RECEPTACLE MATES WITH THE HD16-6-12S\*-\*\*\*\* PLUG (\*=SEAL TYPE, \*\*\*\*= ALL MODIFICATIONS).
- 5. FOR "PERFORMANCE AND APPLICATION CHARACTERISTICS OF SOLID/STAMPED AND FORMED CONTACTS AND WIRES", SEE ENVELOPE DRAWING 0425-015-0000. THIS RECEPTACLE USES PIN CONTACTS ONLY.
- 4. MAXIMUM PANEL THICKNESS IS .250 [6.35].
- 3. ALL DIMENSIONS ARE IN INCHES [MILLIMETERS].
- 2. THIS CONNECTOR WILL ACCOMMODATE THE FOLLOWING WIRE INSULATION DIAMETERS:

CONTACT SIZE	MINIMUM O.D.	MAXIMUM O.D.
12	.134 [3.40]	.170 [4.31]

1. CONSULT FACTORY FOR ELECTRICAL AND MATERIAL SPECIFICATION.  
NOTES:

SIGNATURE & DATE	
DR	I. GRANTCHAROVA 3/25/11
CHK	B. Buford 7/14/2011
PE	R. G. ... 5/20/11
APPD	S. ... 7/12/11
SCALE	NONE WT

RECEPTACLE  
SQUARE FLANGE  
HD10 SERIES  
ARR. 6-12  
COLOR: BLACK

ENVELOPE

EP	MATL. CODE
3850 INDUSTRIAL AVE. HEMET, CA 92545	
<b>B</b>	<b>HD10-6-12P-E004</b>
DWG SIZE	CODE 11139 SHEET   OF